

Korniche Bi-folding Door

Installation Guide

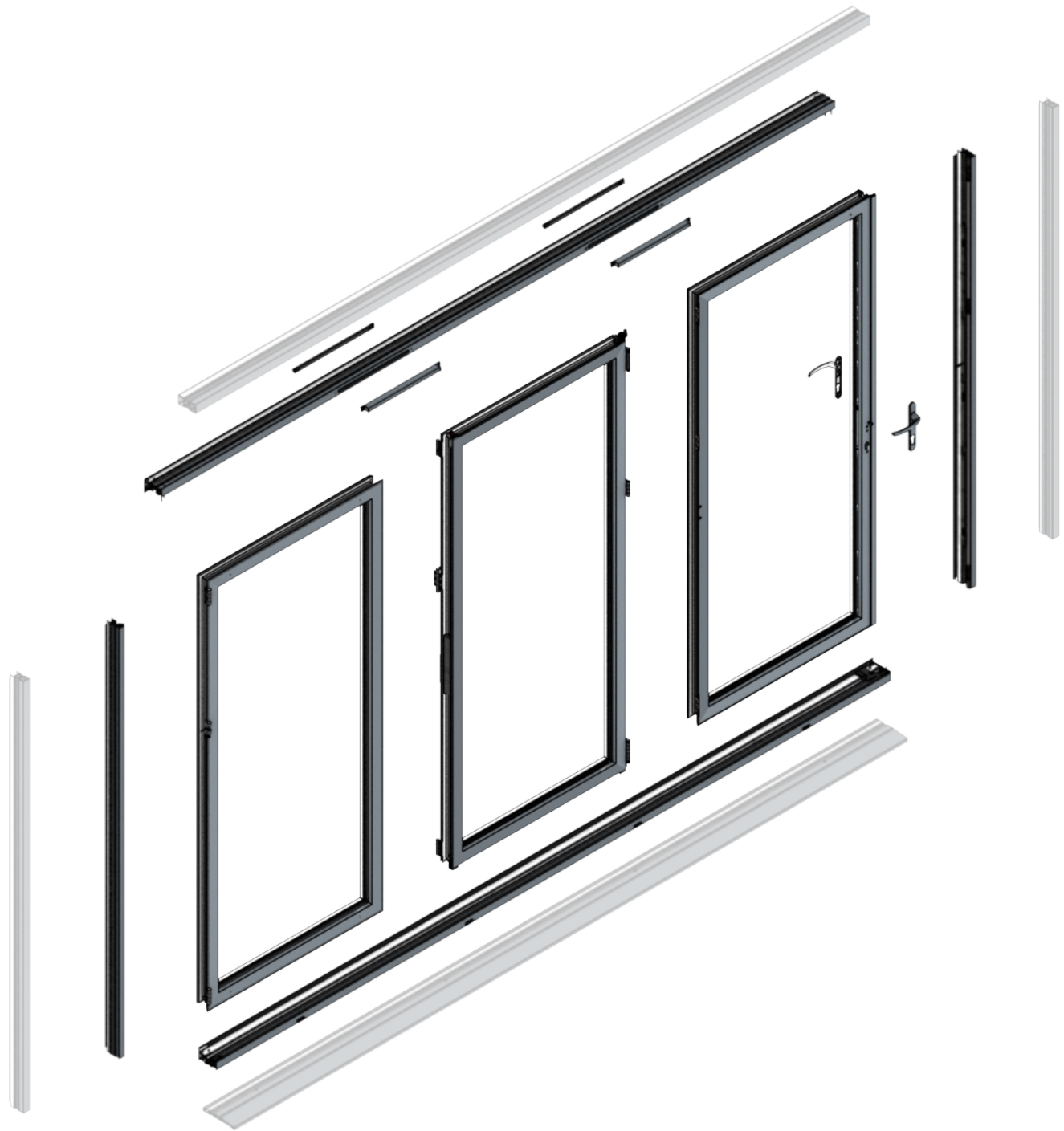
Kit-form assembly **KF**
Stages 1-2

Door installation
Stage 3-8

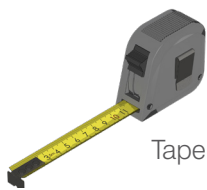
Lock adjustment
Appendix 1

De-glazing instruction
Appendix 2

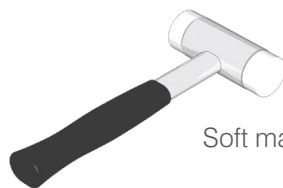




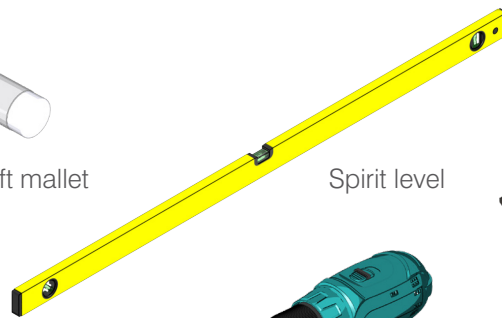
TOOLS REQUIRED



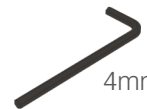
Tape measure



Soft mallet



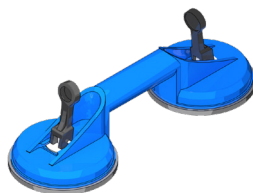
Spirit level



4mm hex key



Glazing paddle



Glazing suction lifters



Cordless drill / driver



Pozi No 2 Bit

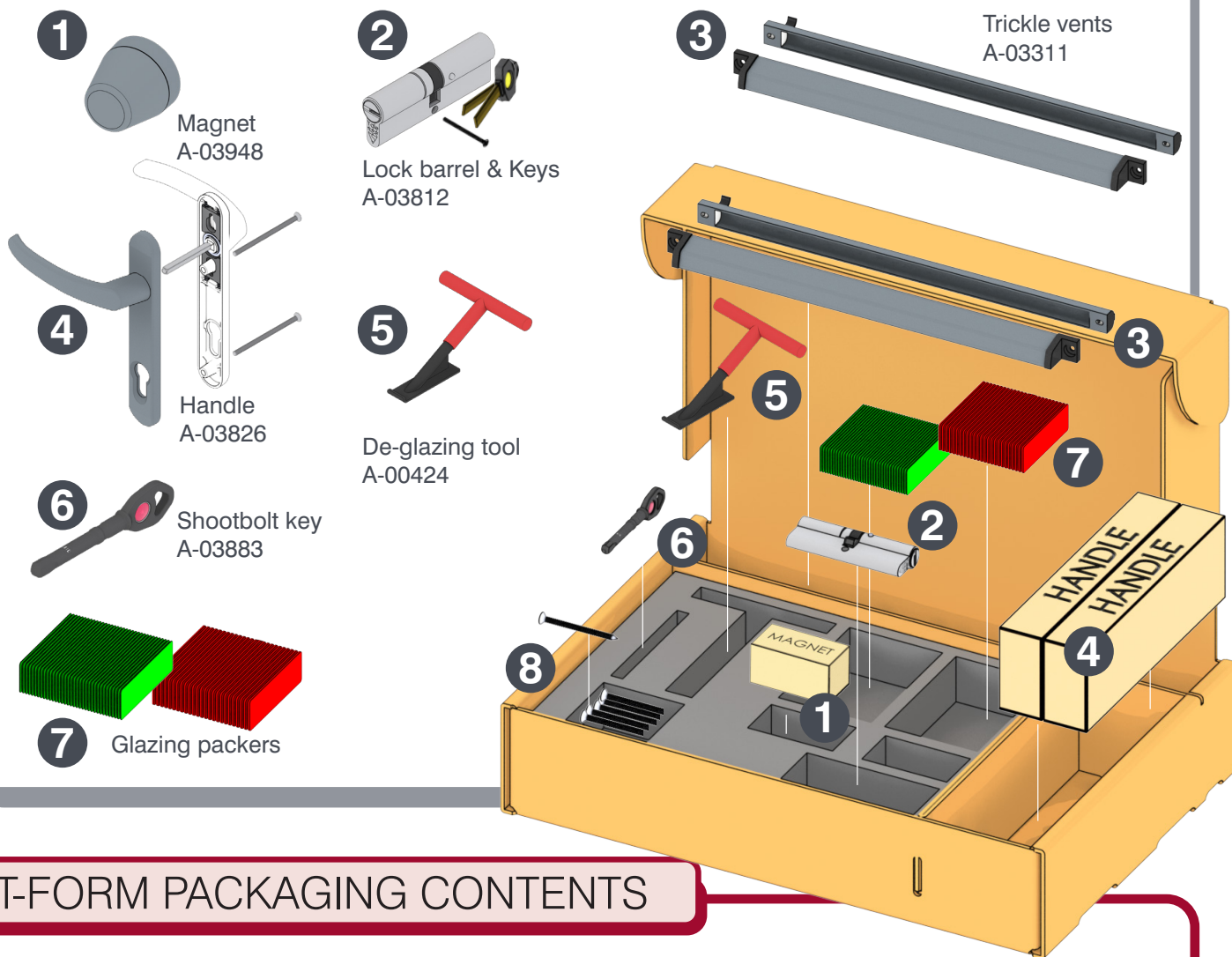


3 & 5mm Drill Bits





PACKAGING CONTENTS



KIT-FORM PACKAGING CONTENTS



CONSUMABLES - NOT SUPPLIED





KIT-FORM ONLY ASSEMBLY

KF

1

60mm 1:1

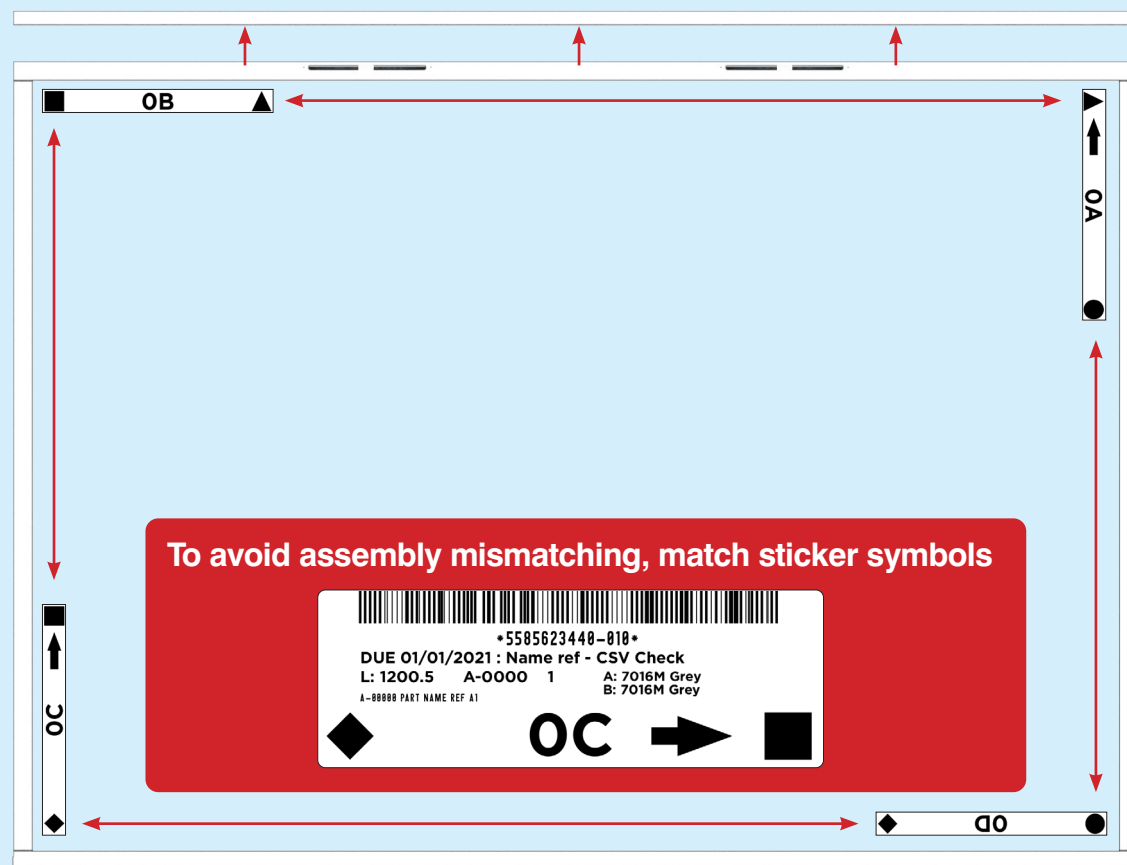
A-03310



1



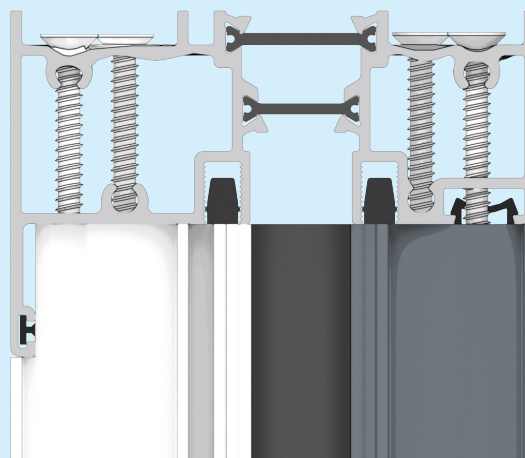
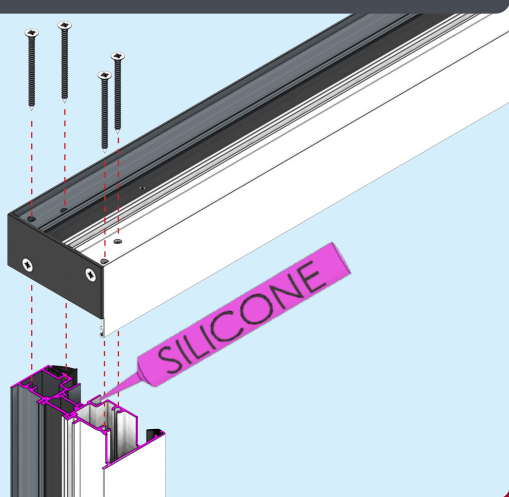
Remove any frame extenders, retaining screws



To avoid assembly mismatching, match sticker symbols



2 Outerframe fixing



To avoid distortion do not over-tighten





OUTERFRAME ASSEMBLY

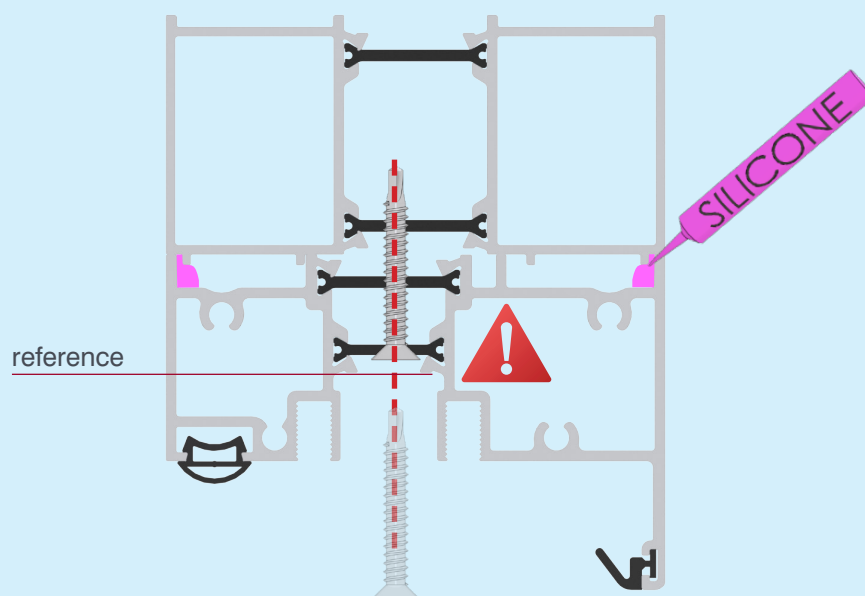
KF

32mm 1:1

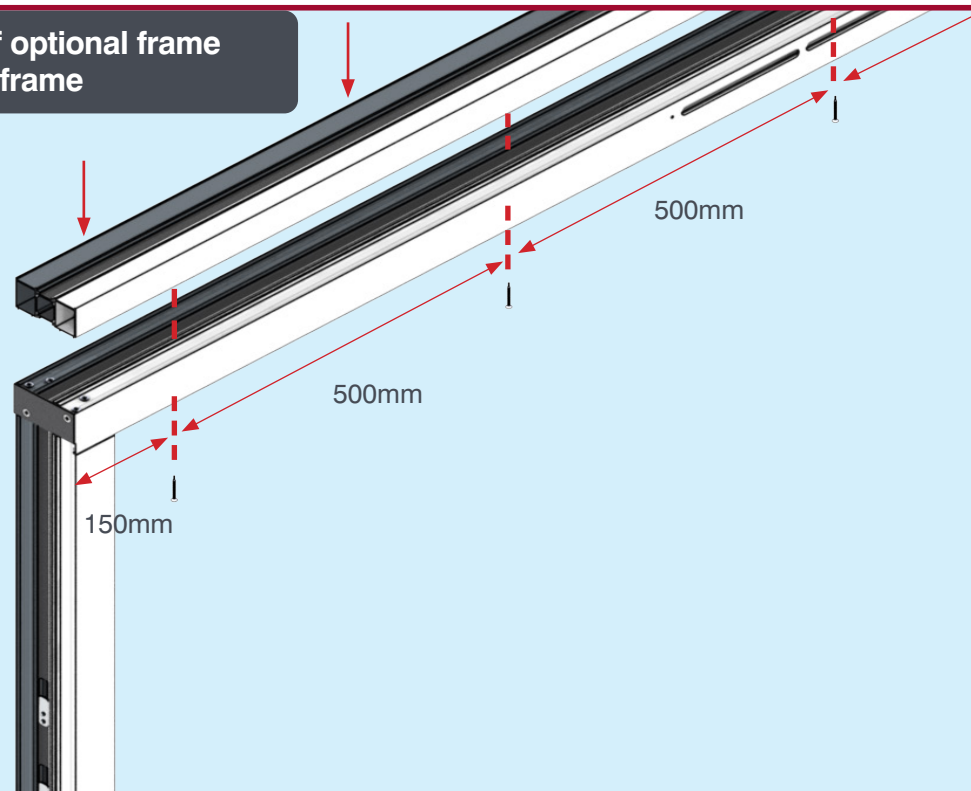
A-3732



3 Re-attach optional frame extender



4 Fixing position of optional frame extender to outerframe



Ensure screws are sub-flush to reference line





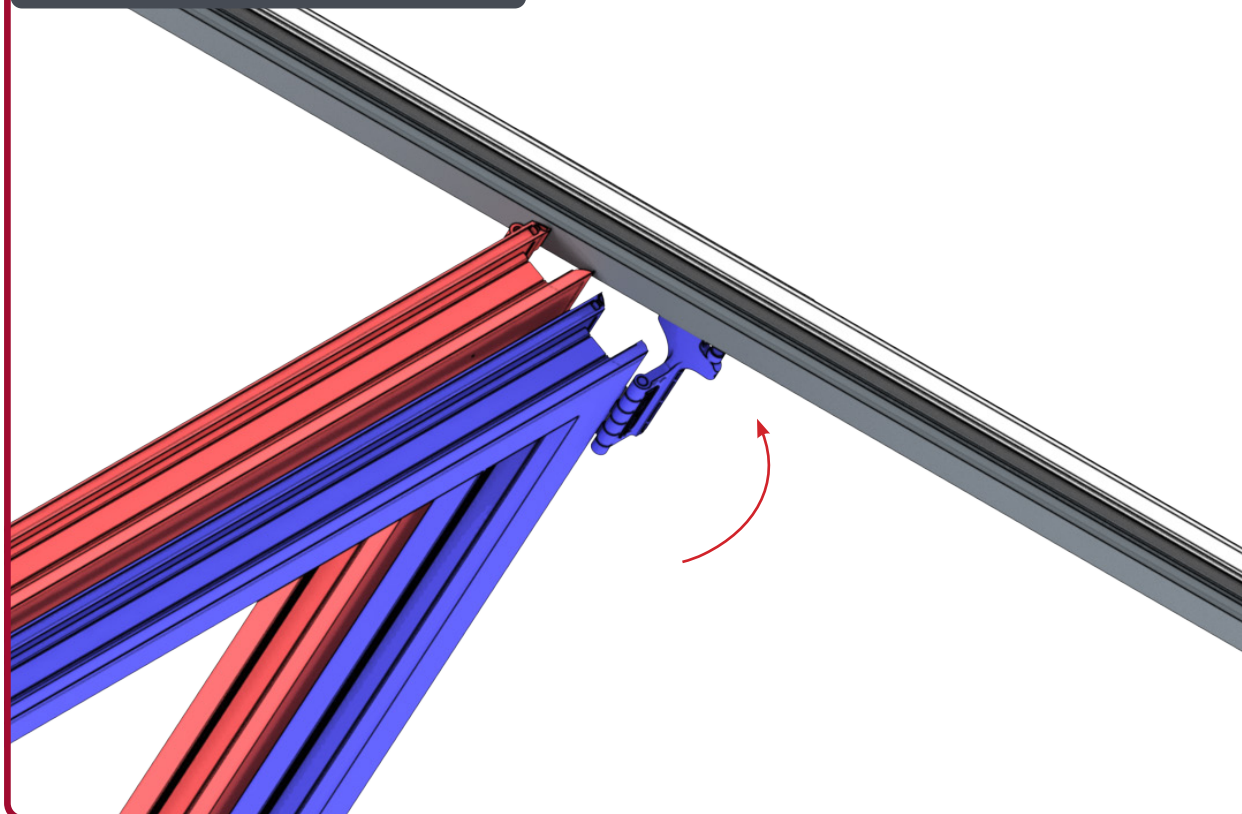
SASH INSTALLATION

KF

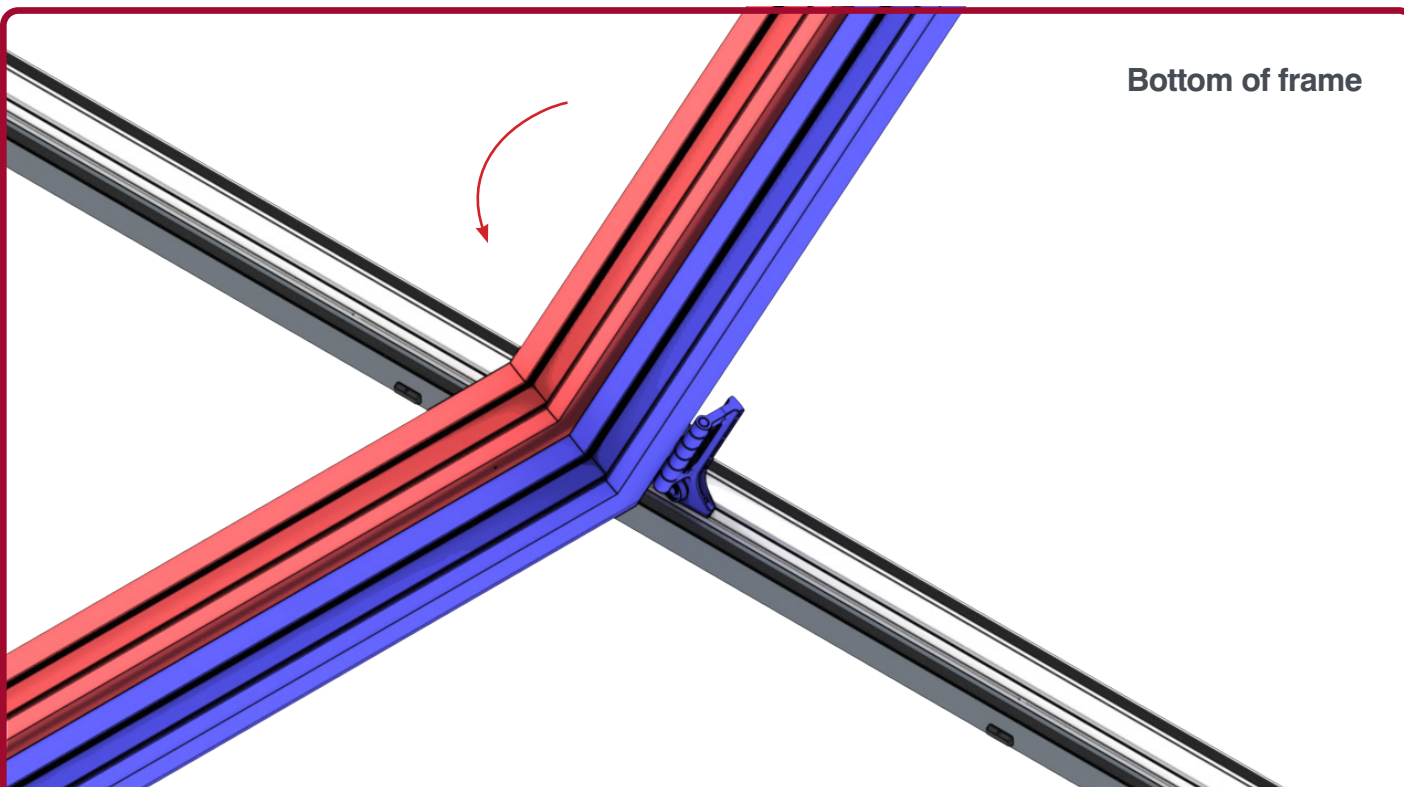
2

Rotate sash into position

Top of frame



Bottom of frame





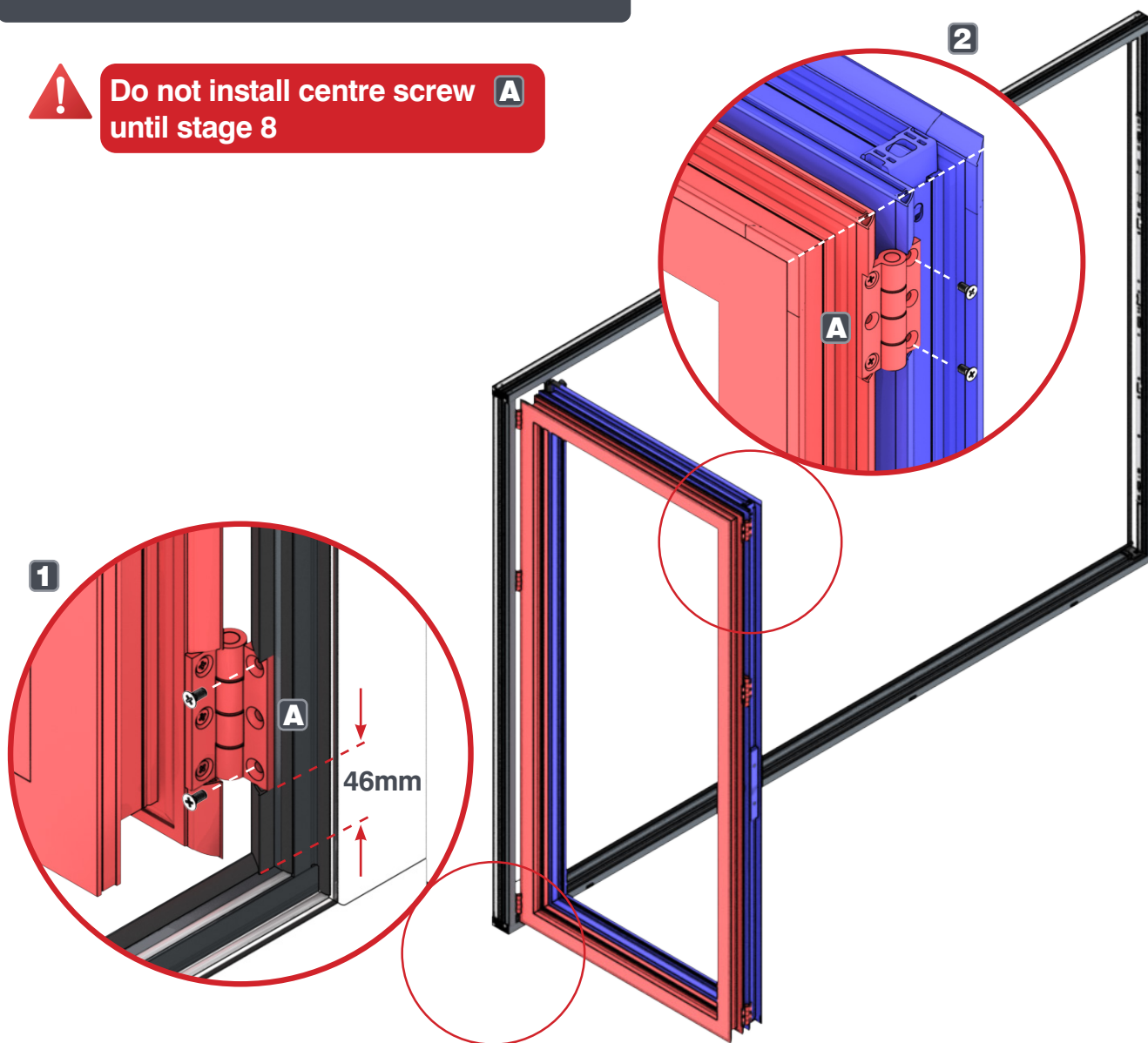
SASH INSTALLATION

KF

10mm 1:1
A-03735

Sash attachment - external view

! Do not install centre screw **A** until stage 8



Align sashes using hinge screws to adjust heights (sashes are numbered left to right from outside)



End of Kit-form instructions

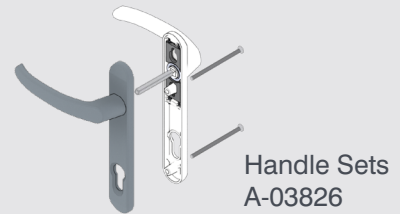




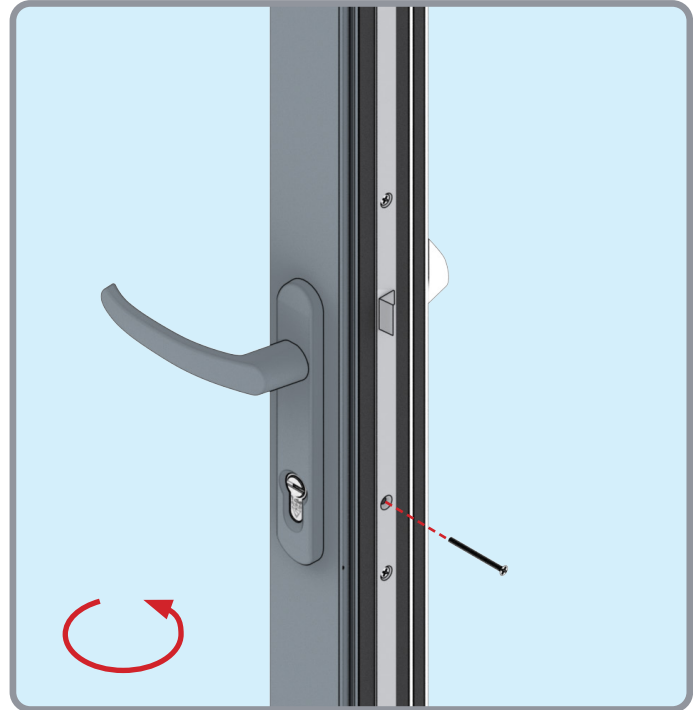
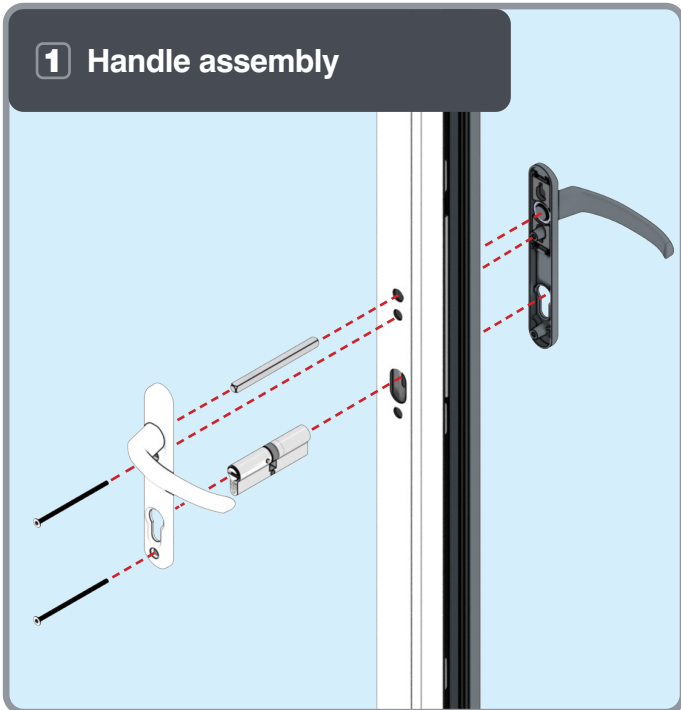
GENERAL ASSEMBLY

HANDLE INSTALLATION

3

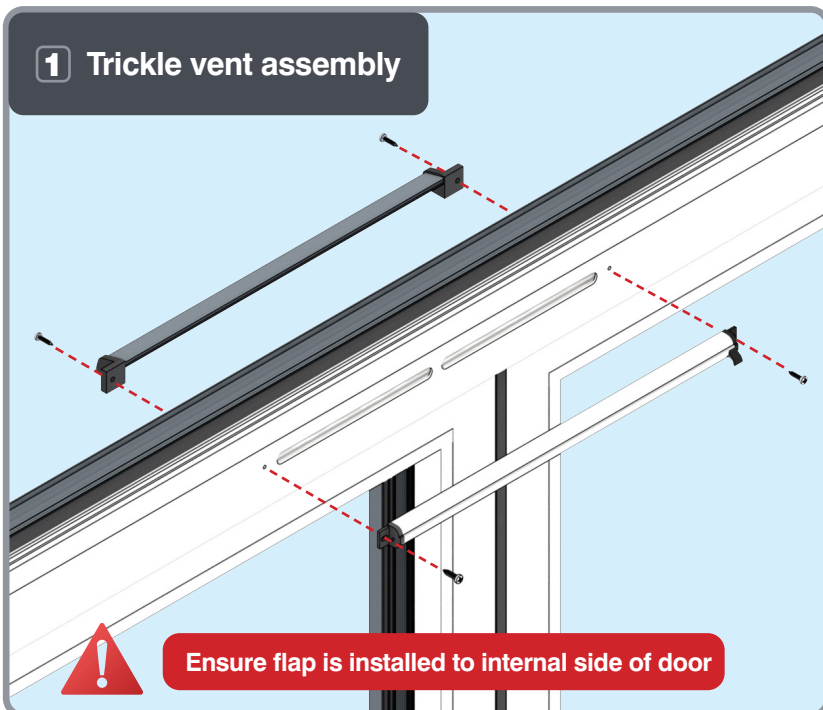


1 Handle assembly

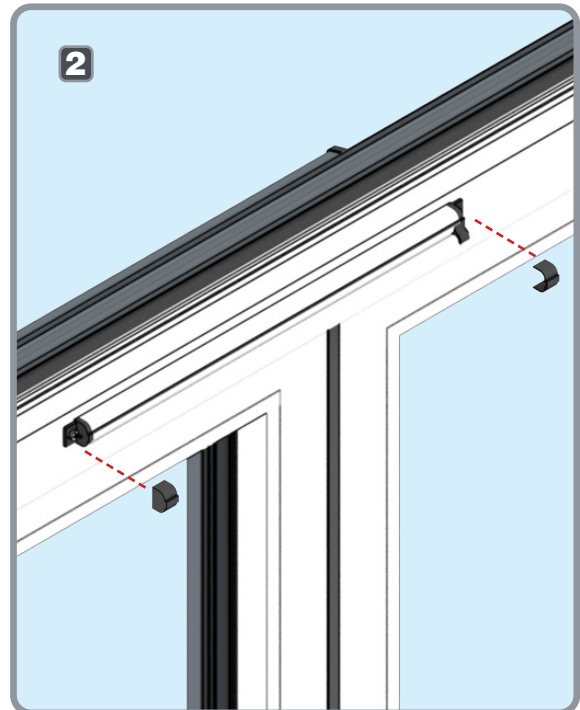


OPTIONAL TRICKLE VENT INSTALLATION

1 Trickle vent assembly



2





CILL INSTALLATION

4



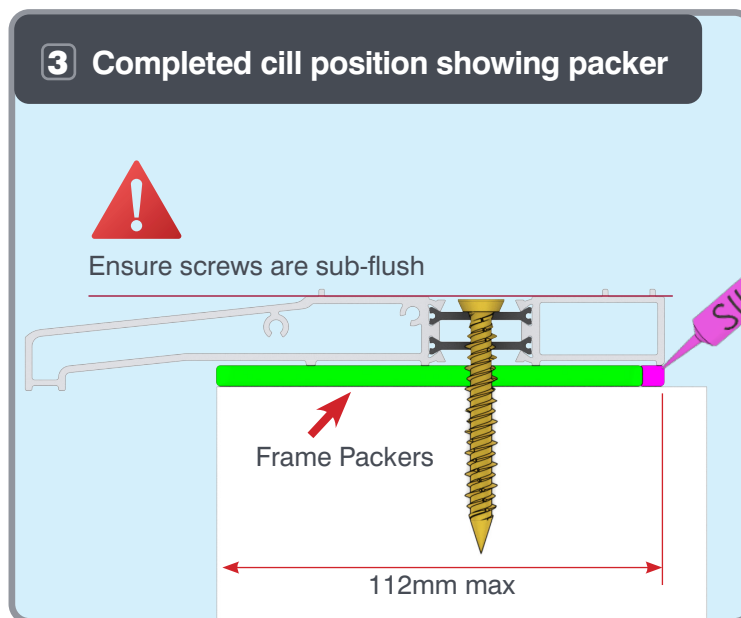
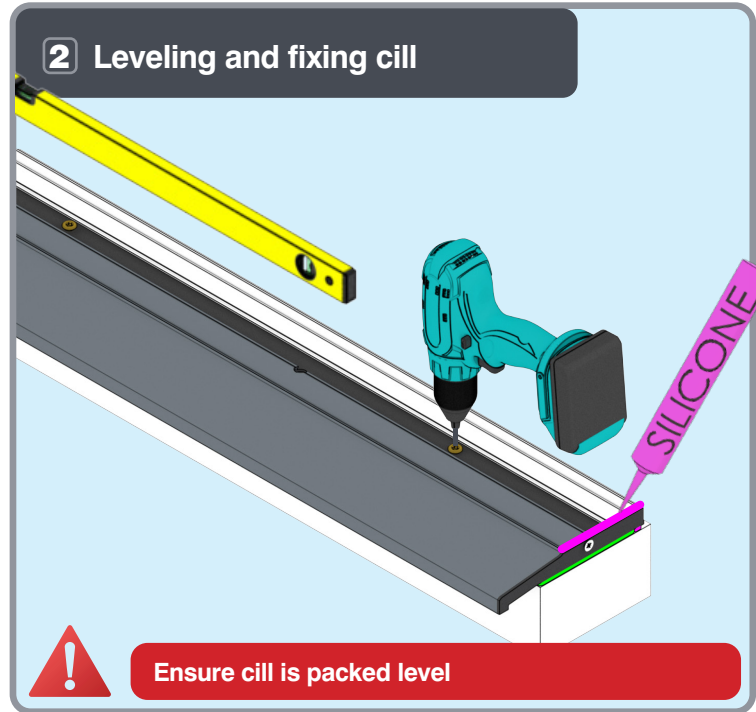
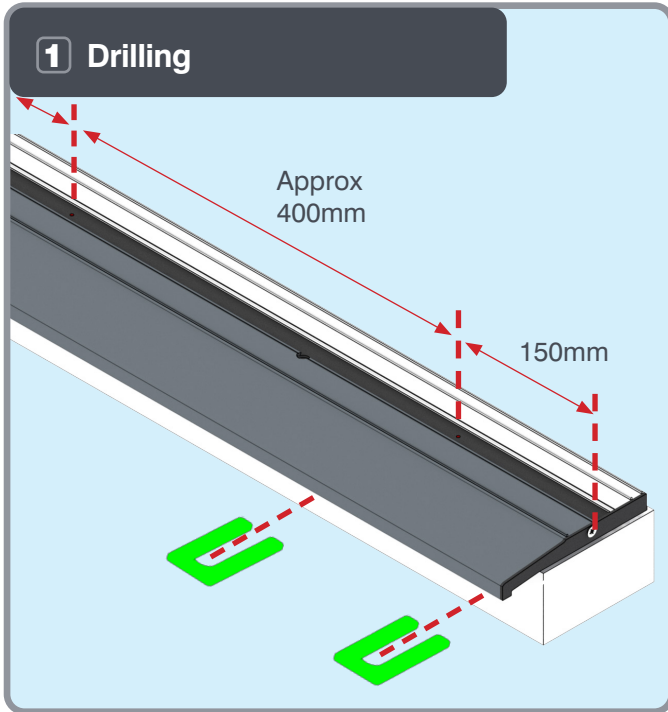
Outer frame packers (not supplied)



Frame fixing screws (not supplied)



Low modulus silicone sealant (not supplied)



Note - Cill packers and screws are not supplied

Ensure cill is level: ± 1 mm





DOOR INSTALLATION

5

! Only remove keep when on outerframe

1 Keep removal when on jamb

! Retain fixing screws x14

2 Vertical Alignment

3 Horizontal alignment

! Ensure diagonals: A=B ± 1mm



DOOR INSTALLATION



Outer frame packers (not supplied)

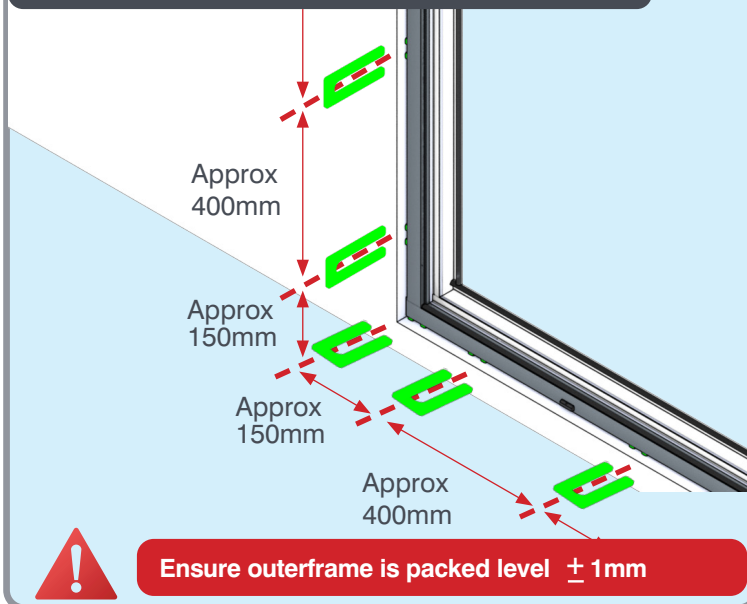


Frame fixing screws (not supplied)

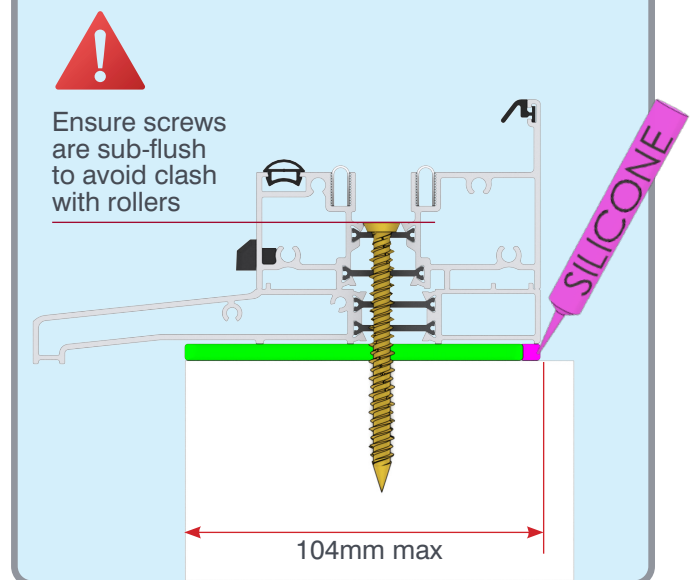


Low modulus silicone sealant (not supplied)

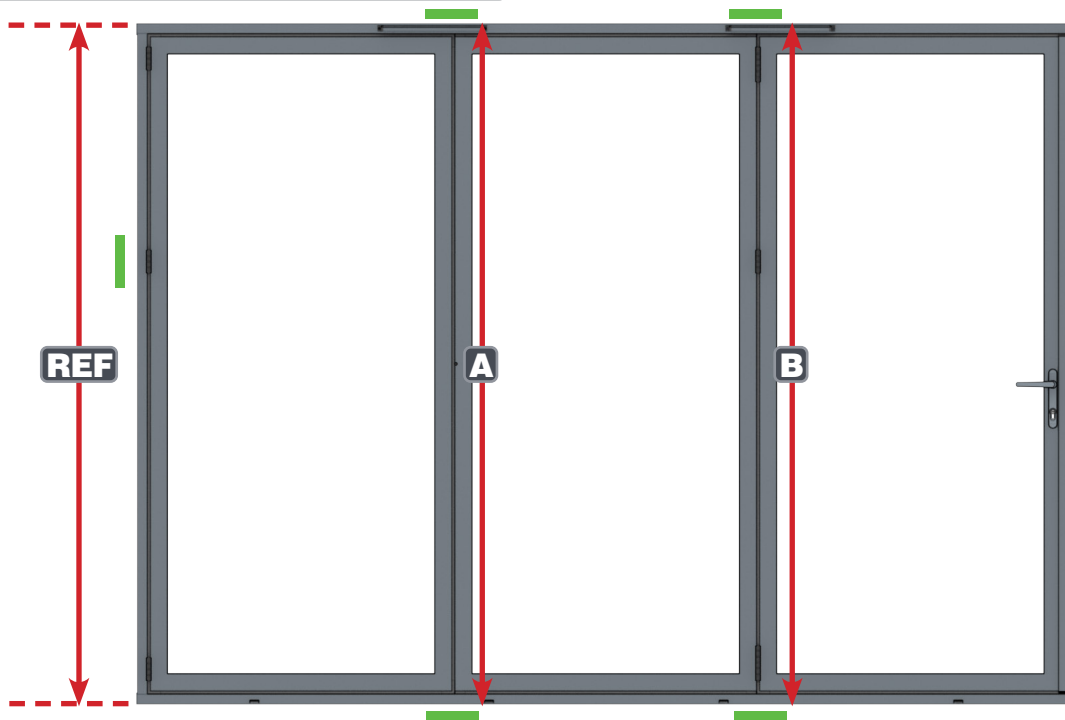
4 Packing of outerframe



5 Drill and screw outerframe in position



6 Check vertical measurements



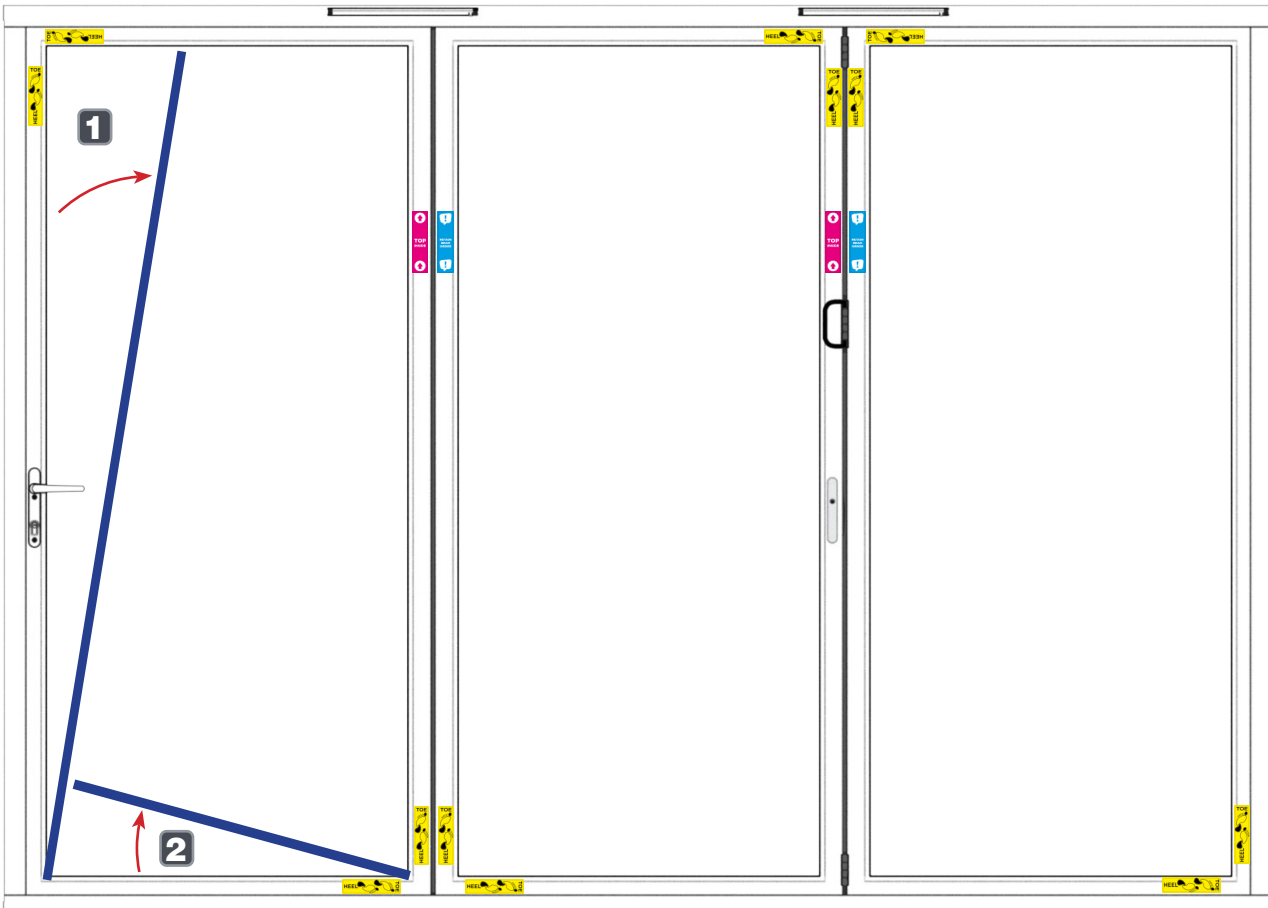
Ensure verticals: REF=A=B ± 1mm
Extra packers at locking points and hinges



DOOR GLAZING

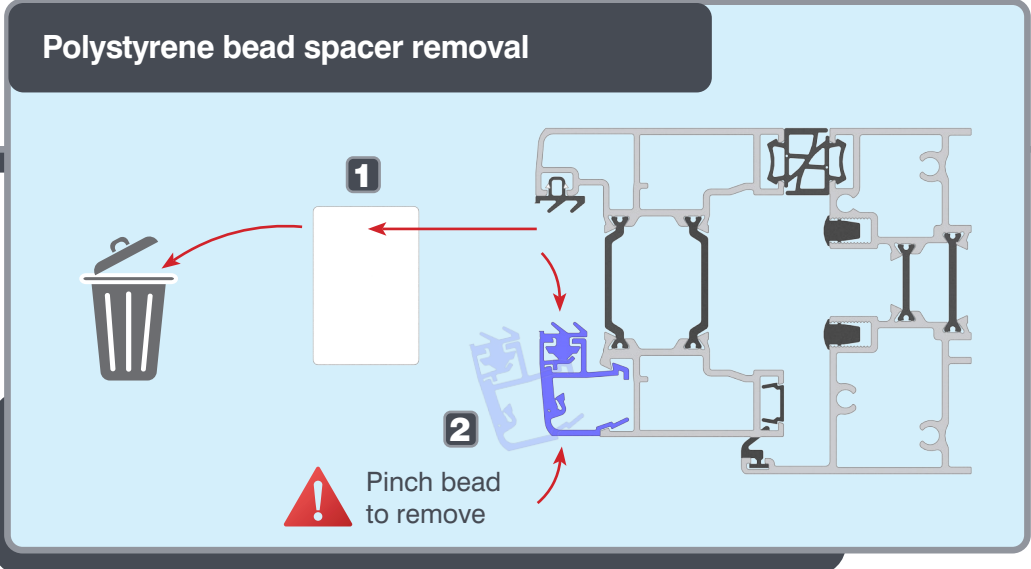
6

1 Bead and bead spacer removal for glazing



Ensure beads return to original positions

RETAIN BEAD ORDER

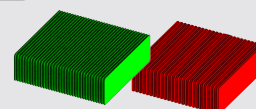
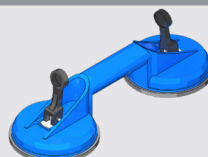




DOOR GLAZING

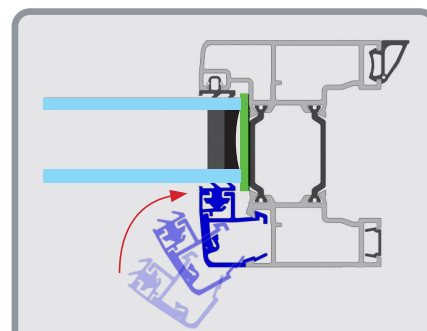
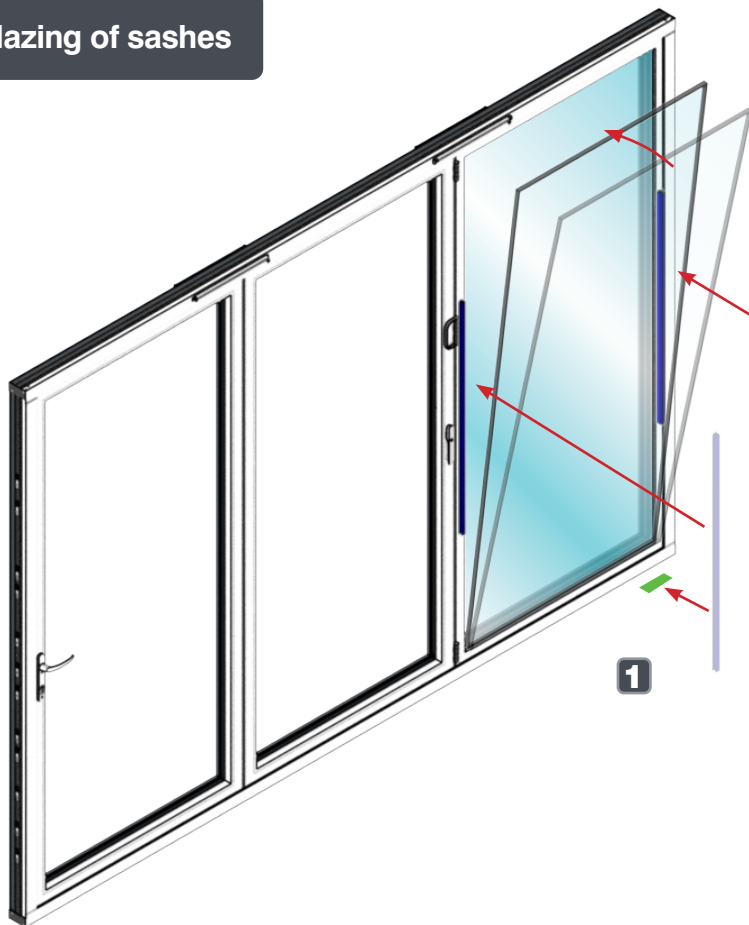


Horizontal beads



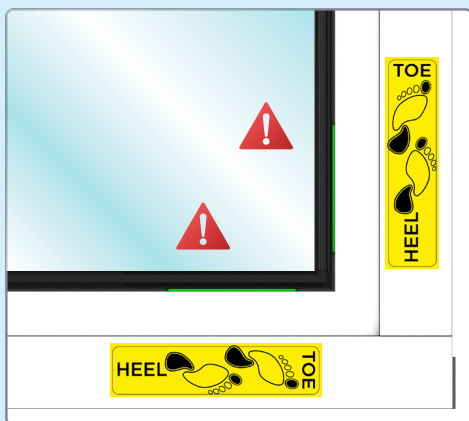
Glazing packers

2 Glazing of sashes

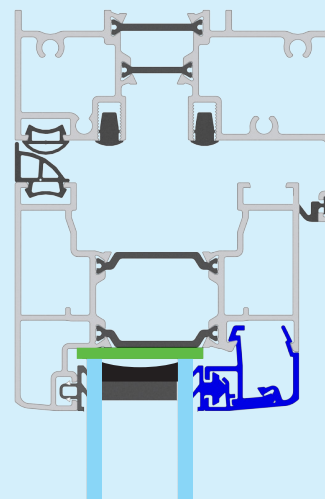


! Tip: Use horizontal beads to temporarily secure glass: Refer to appendix 2

Toe and heel adjustment



11mm



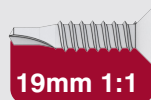
! Adjust sash packing to maintain 11mm all round



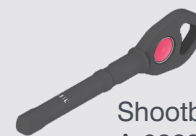


DOOR FUNCTIONALITY

7

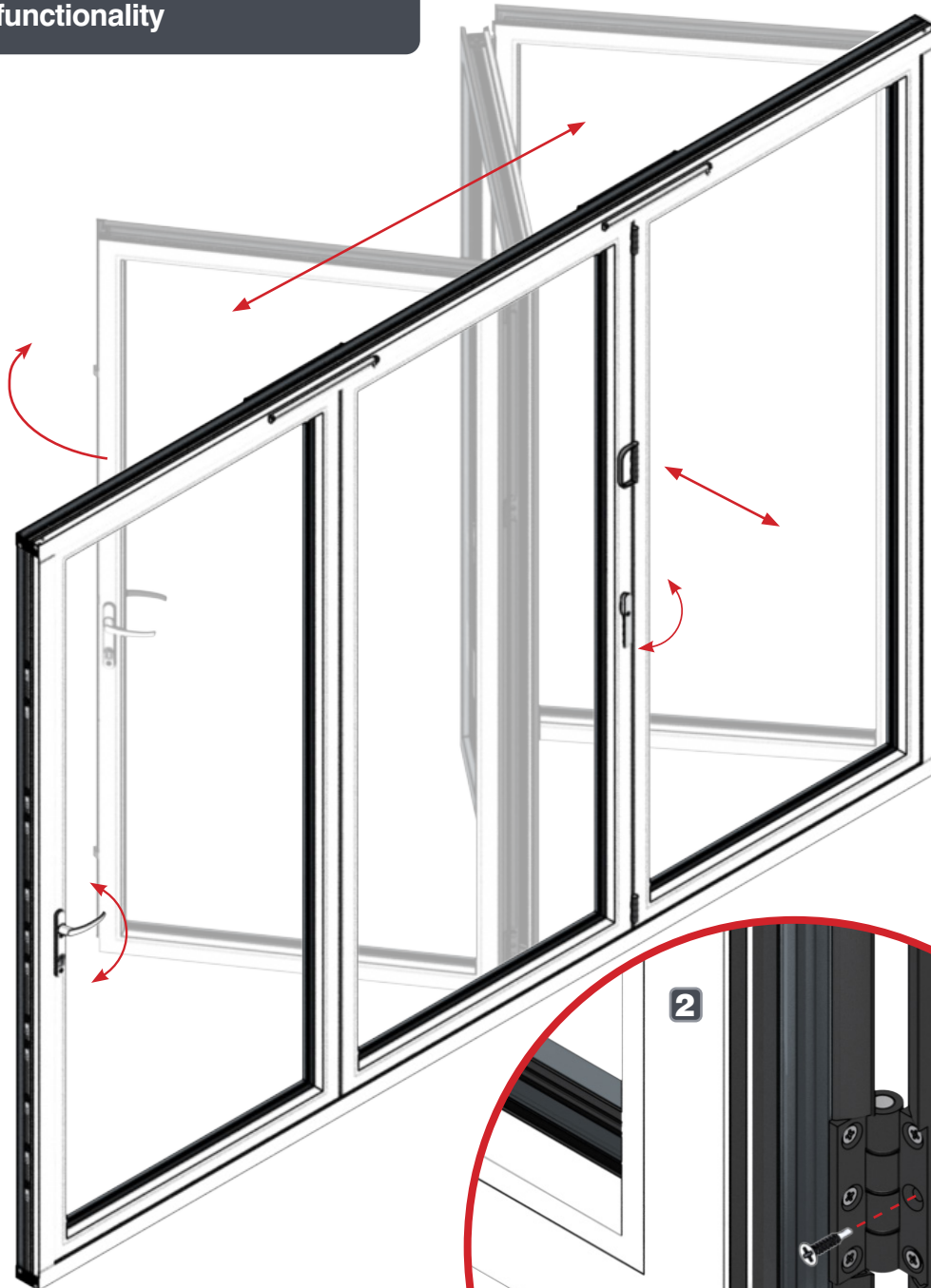


19mm 1:1
A-03309 -
Final hinge screw



Shootbolt key
A-03883

1 Check door functionality



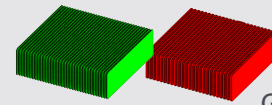
Adjust hinge height if required so sashes are inline and gaps are equal to 11mm then install final hinge screws

Final screw fixing



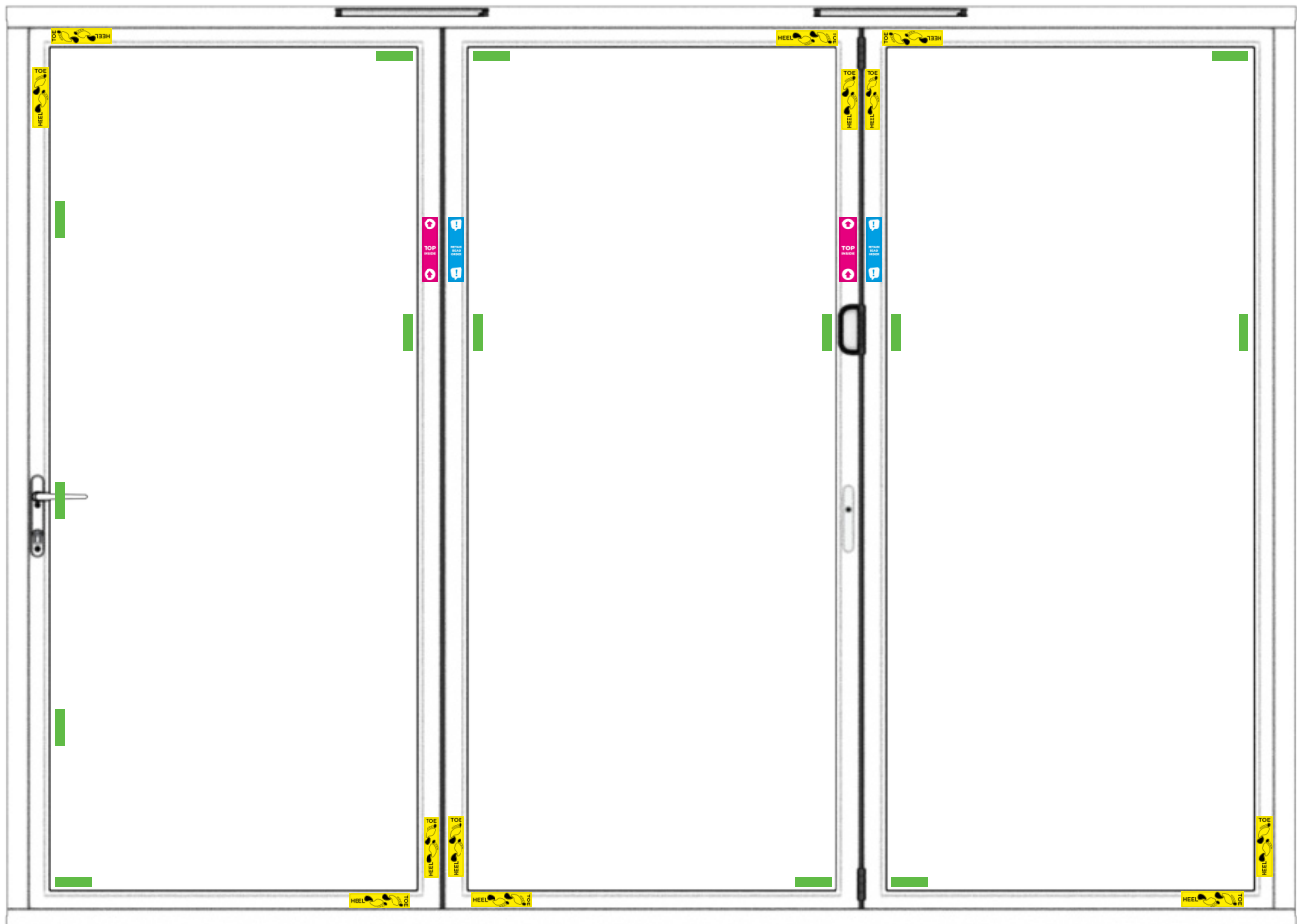


ADDITIONAL PACKING AND REFITTING BEADS

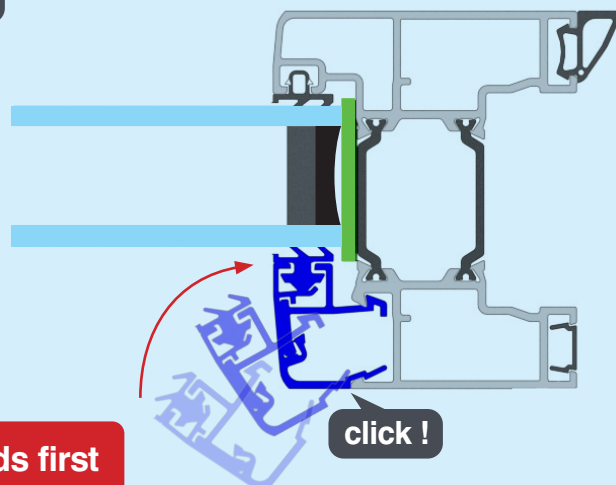


Glazing packers

3 Pack at locking and hinge points



4 Clip-in bead installation



Fit horizontal beads first

click !





DOOR MAGNET INSTALLATION

8



3mm Drill Bit

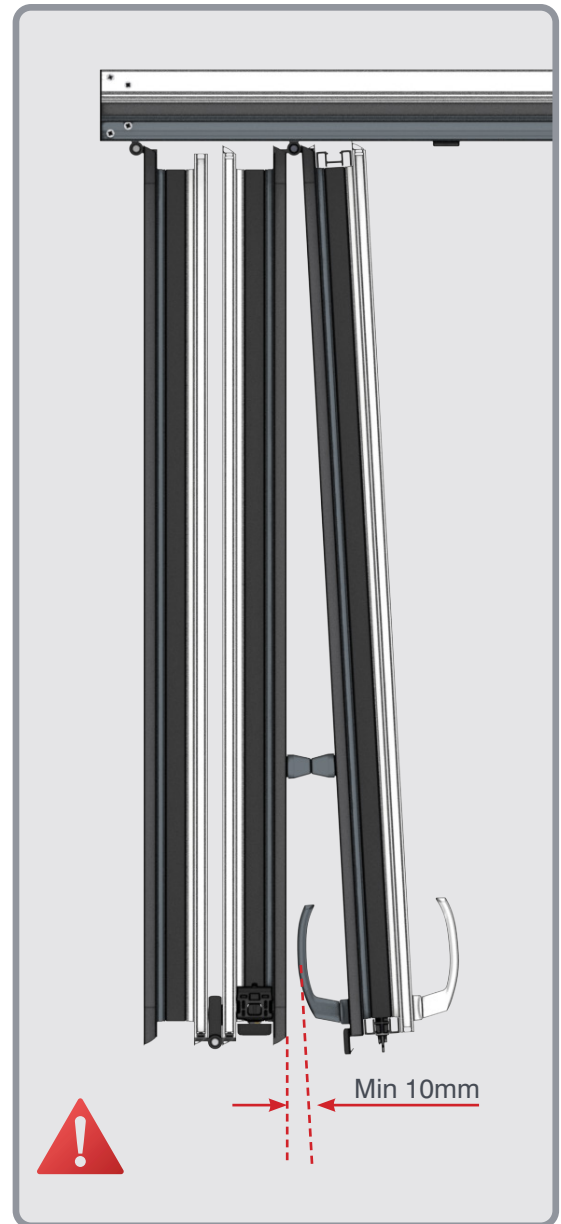


Magnet A-03948

2 Door magnet installation



Position grub screw opposite hinges and adjust angle to ensure magnets touching faces are parallel.



Position magnet ensuring 10mm gap



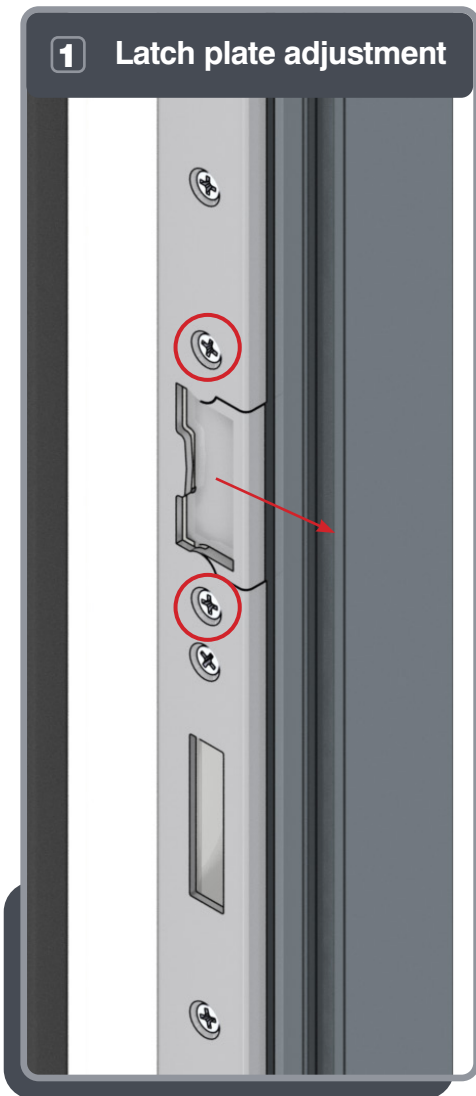


Appendix 1: LOCK ADJUSTMENT

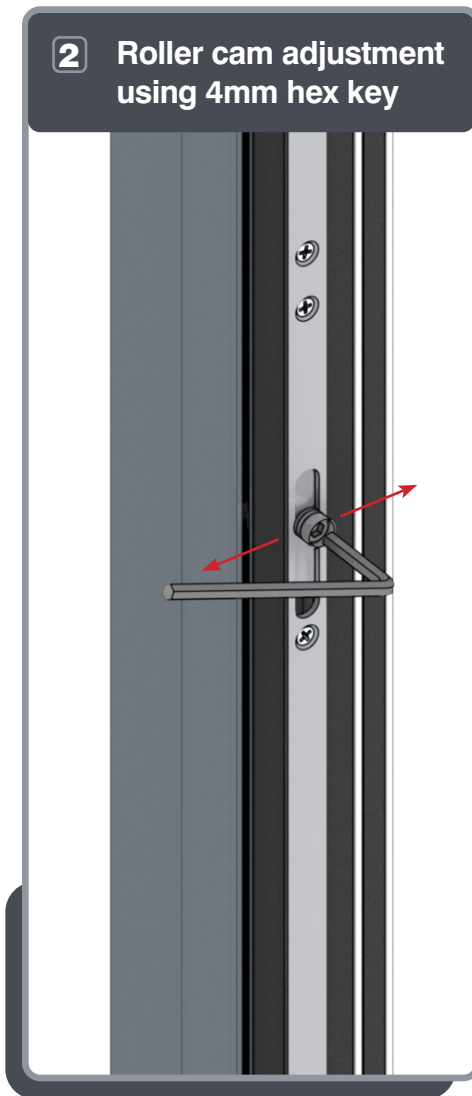


Before adjusting lock ensure door frame and glazing is correctly packed

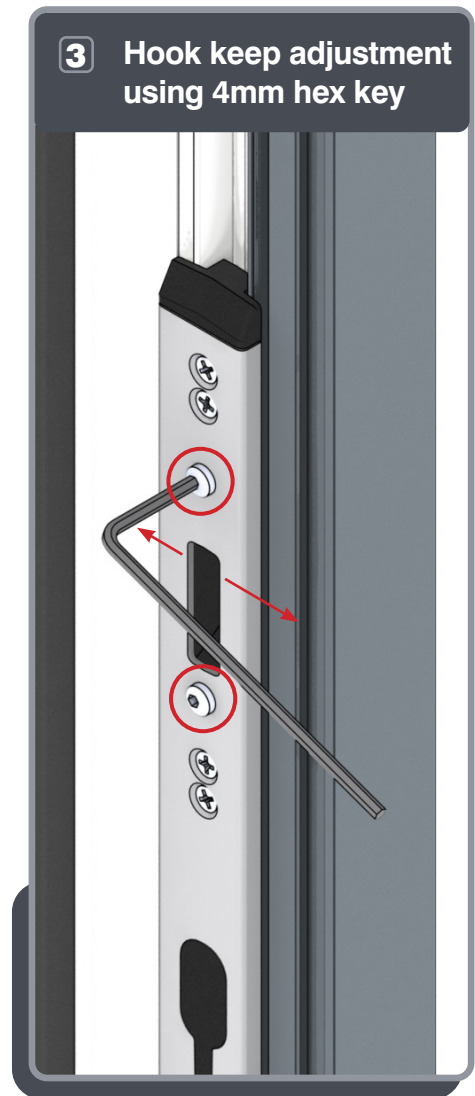
1 Latch plate adjustment



2 Roller cam adjustment using 4mm hex key



3 Hook keep adjustment using 4mm hex key





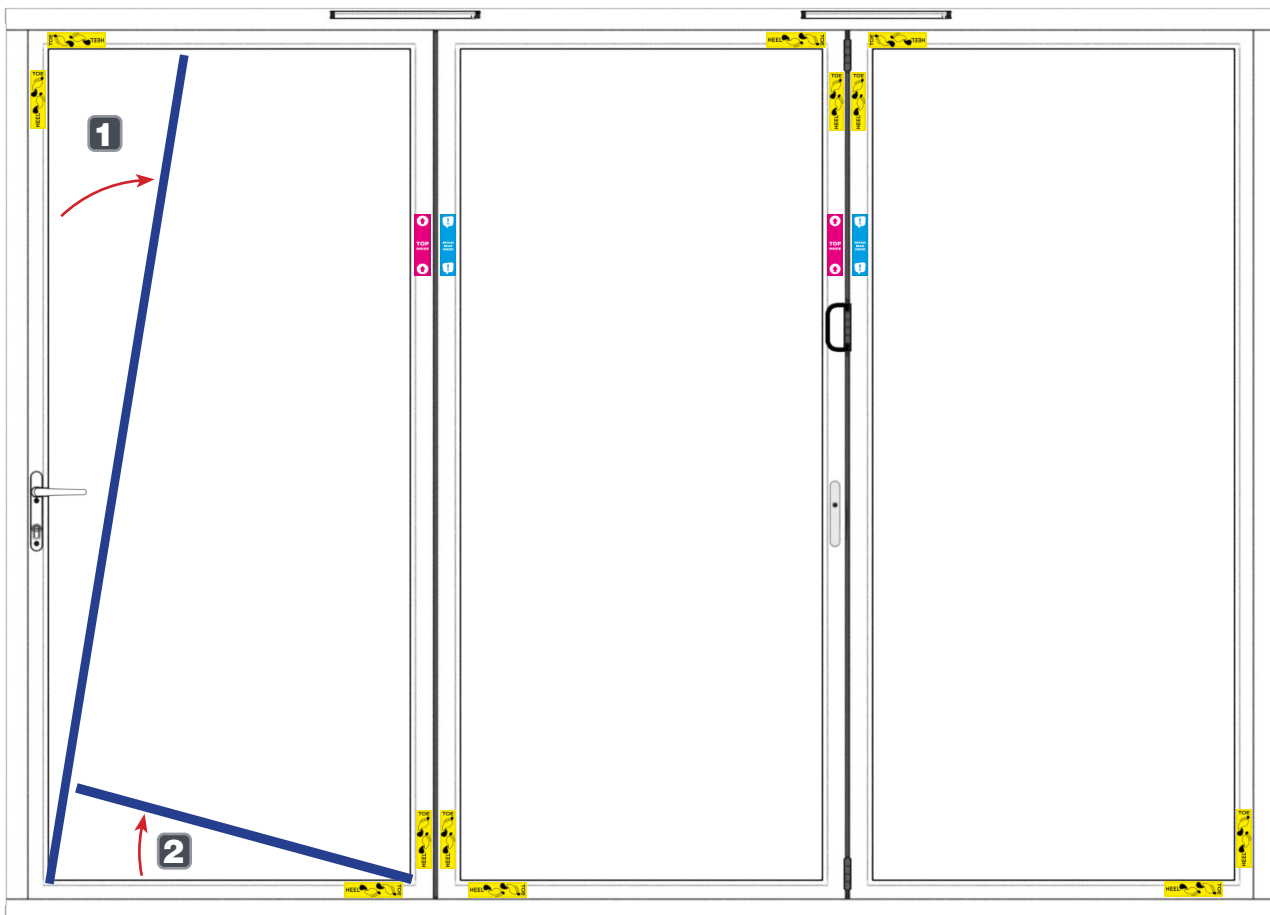
Appendix 2: BEAD REMOVAL



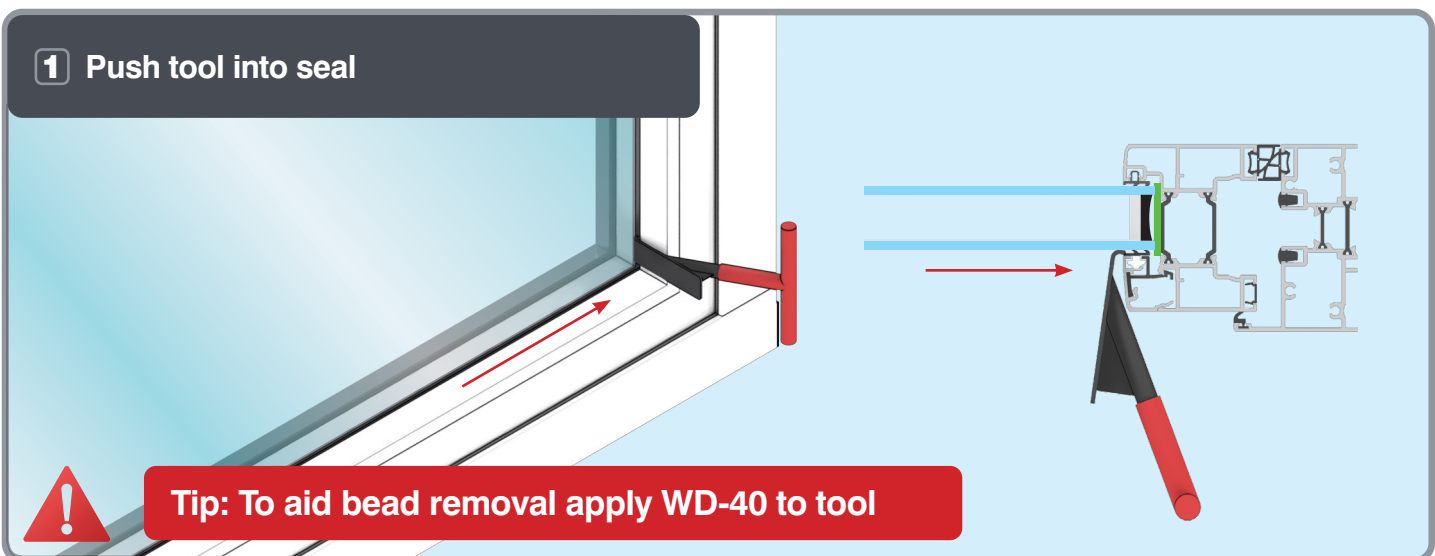
De-glazing tool
A-00424

! Ensure tool and glass are clean to avoid scratches

Bead removal order



1 Push tool into seal



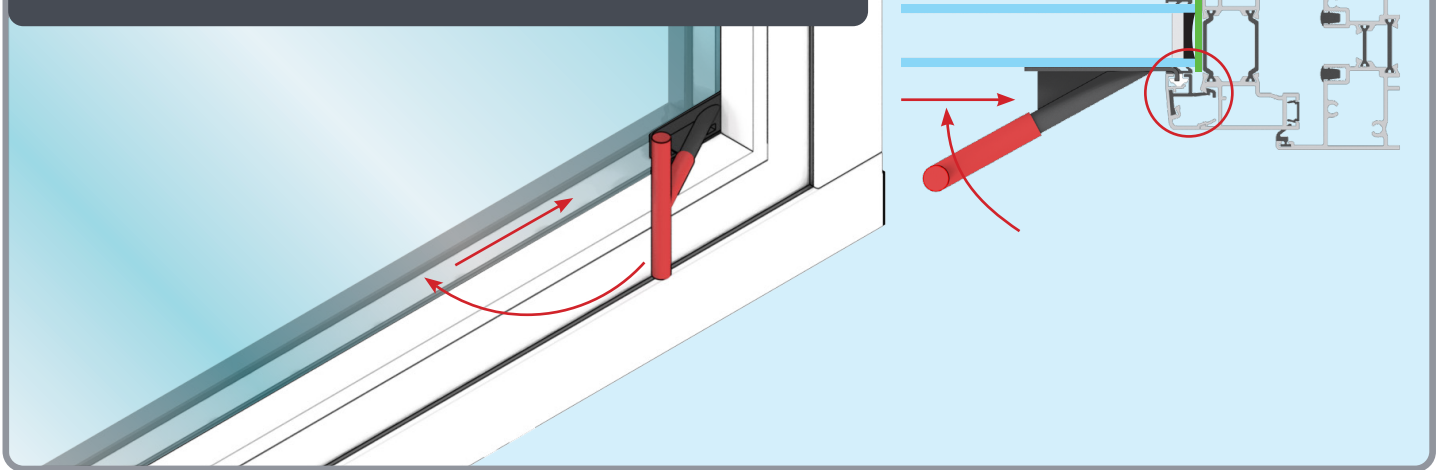
! Tip: To aid bead removal apply WD-40 to tool



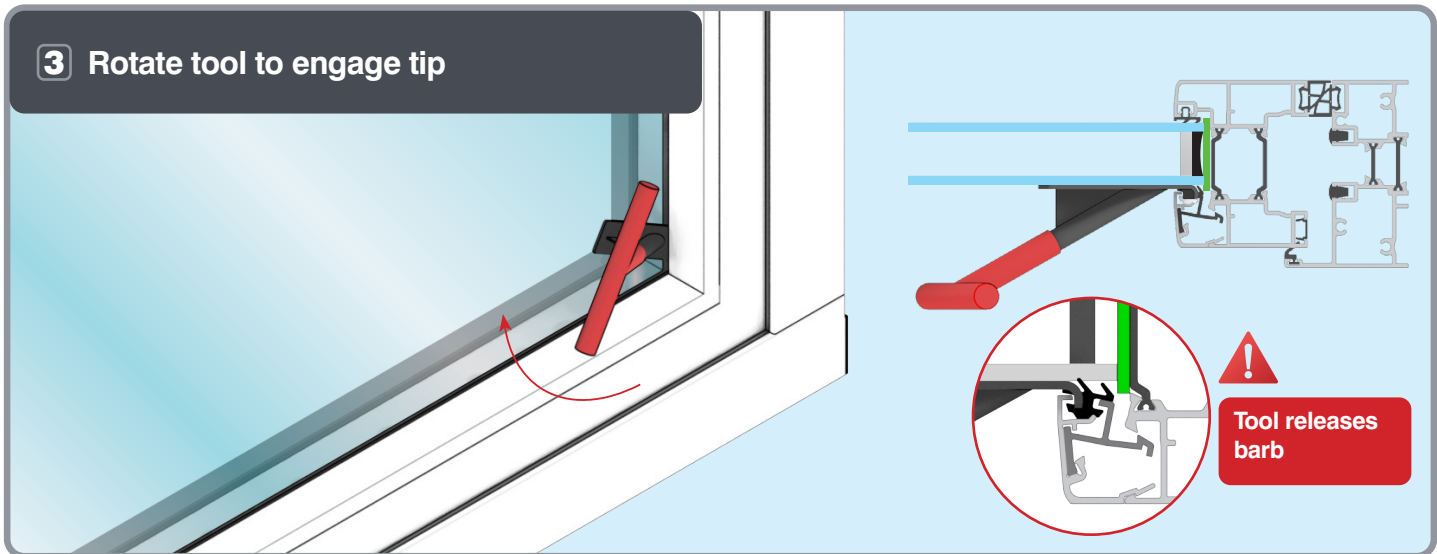


Appendix 2: BEAD REMOVAL

2 Maintain pressure and rotate handle towards glass



3 Rotate tool to engage tip



4 Pull along the glass direction to release

