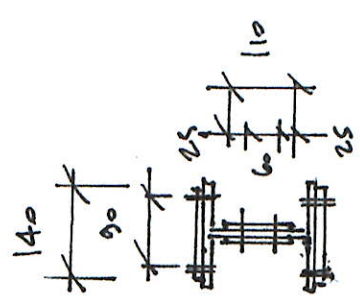
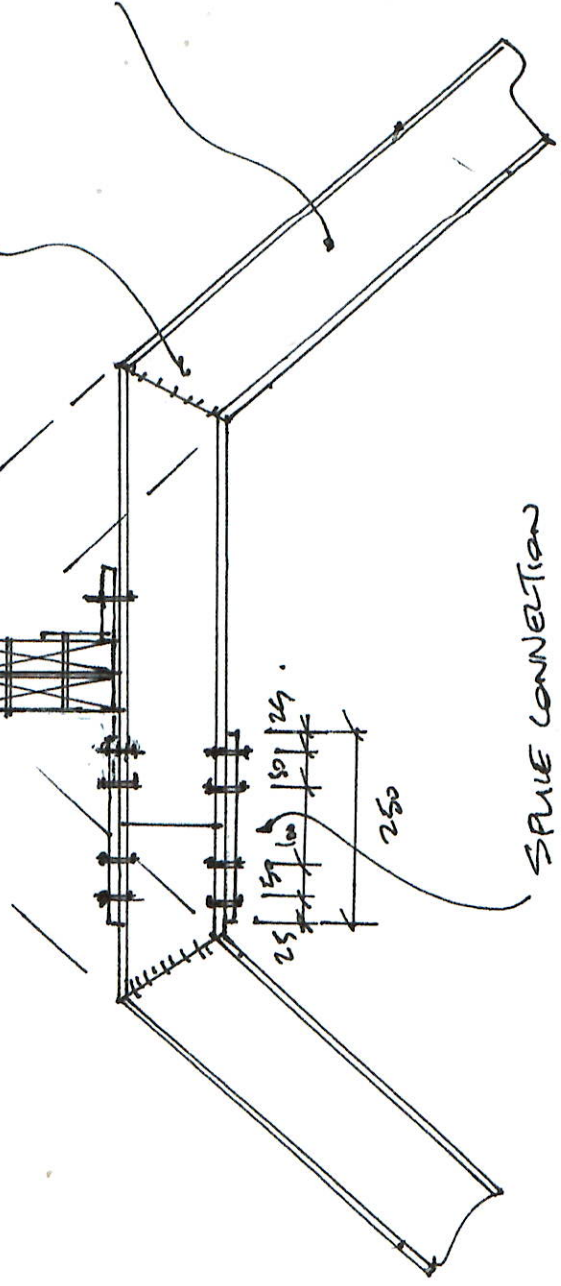


DO NOT SCALE



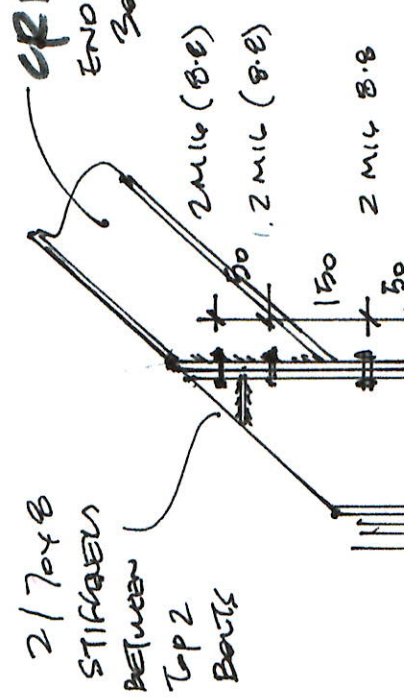
P81/P82 RIDGE BEAM  
75 BEARING EACH ON  
152 UC TOP FLANGE  
FIX IN PLACE WITH  
ANGLE BRACKETS. FULL PENETRATION BUTT WELD



CPI - 152 UC 20 CRANKED  
DOWN TO CRABLE FEATURE

SAME CONNECTION  
AS PER NOTES BY CONSULTANT.

CPI - 16 TMC  
END PLATE  
300 x 150.



2/70x8  
STIFFENERS  
BETWEEN  
TOP 2  
BOULS

2 M16 (8.8)  
2 M16 (8.8)  
2 M16 8.8

C1 - 203 UC 44.  
FIXED TO TIMBER PLANE

8 TMC  
MINIMUM  
STIFFENER.  
2/70x8

ALL BOULS M16 (TOPPED GENERAL CRABE (NSFG))  
8 No. EACH FRAME - 2 No. Rows OF 2 No BOULS EACH SIDE OF JOINT  
250 x 140 x 10 TMC FRAME PLATED (OUTSIDE FRAME OF 152 UC 30)  
WEB PLATES - 110 x 150 x 10 TMC  
EACH SIDE OF THE WEB  
4 No. TOTAL M16 (NSFG) BOULS.

Revision	Description	Date	Drawn
	Project: PINOCCHIOS MILVANE, BRADFELD	11268-05	
	Drawing: DEJAHY-SM73	Date: JUNE 23	
	Client: ARTISAN BUILDING COMPANY	Scale: 1:10	Drawn: E
		Checked:	

**BRETT DESIGN**  
Consulting Engineers

4 Maiden Way, Hadleigh, Suffolk IP7 5EH  
01473 822047 / 822227  
e: info@brettdesignpartnership.co.uk  
www.brettdesignpartnership.co.uk

**PARTNERSHIP**