

SC Shaw Designs Ltd
creating beautiful spaces

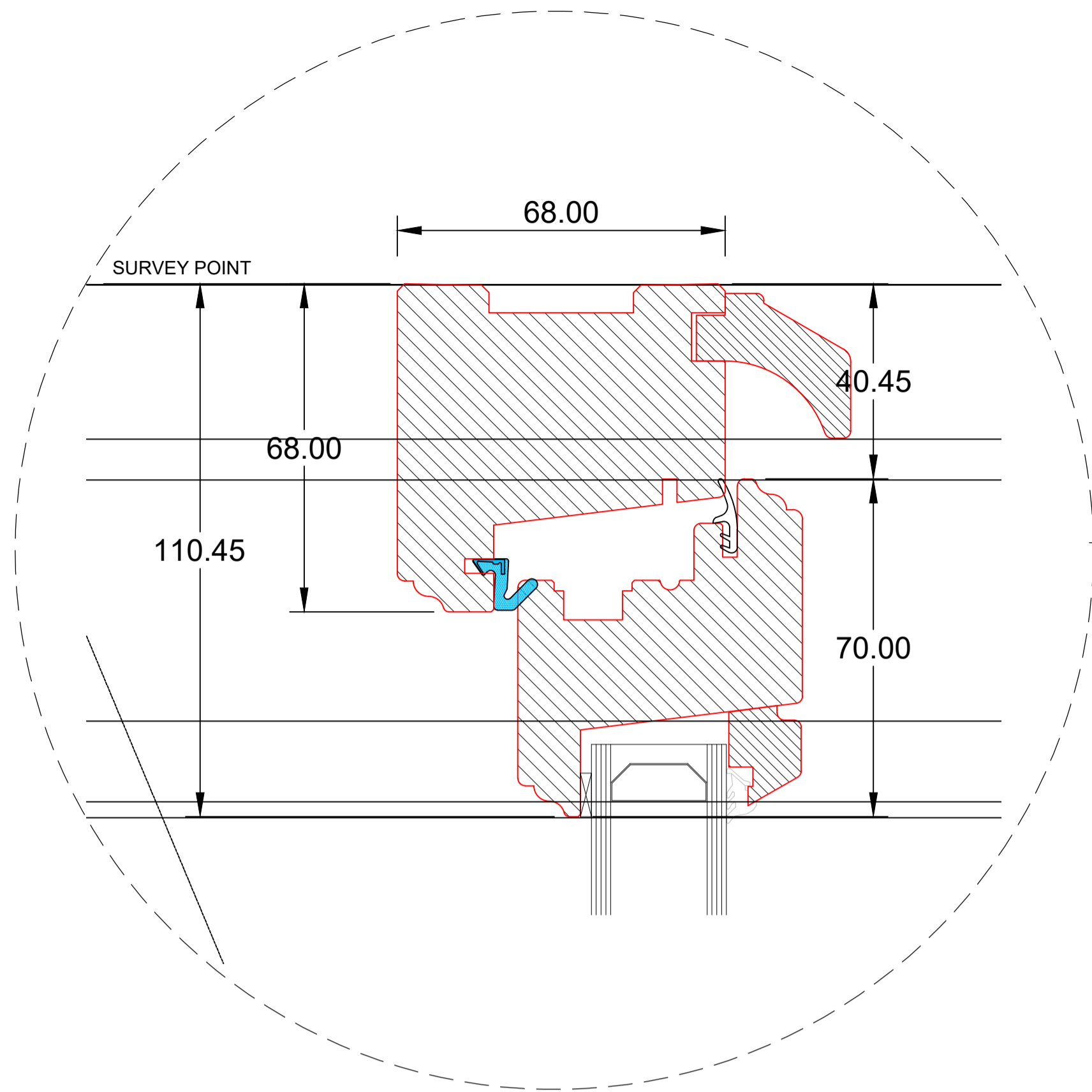
W: www.sshawdesigns.co.uk | M: 079 8382 2179
E: info@sshawdesigns.co.uk

Axis:

General Notes:

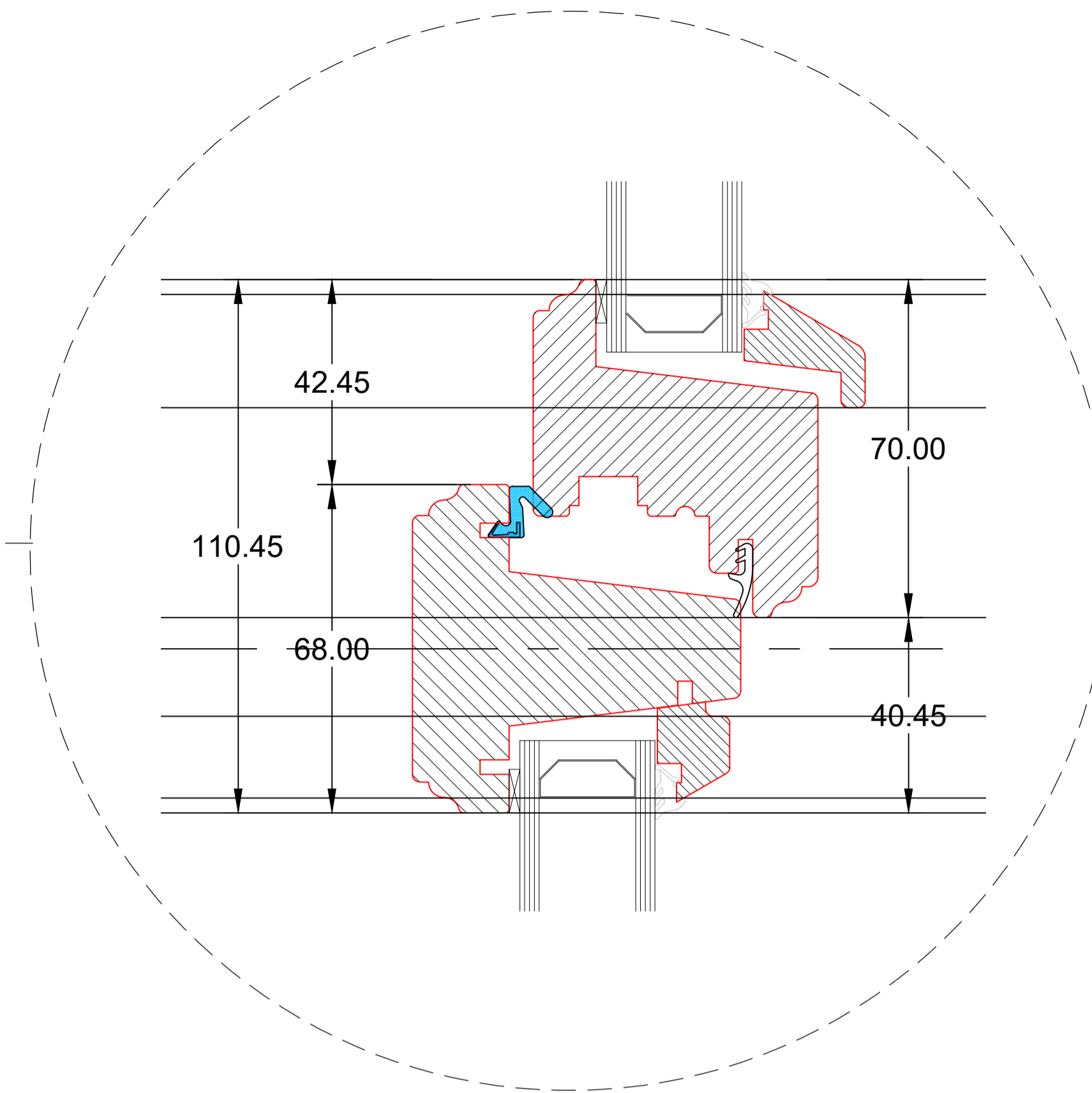
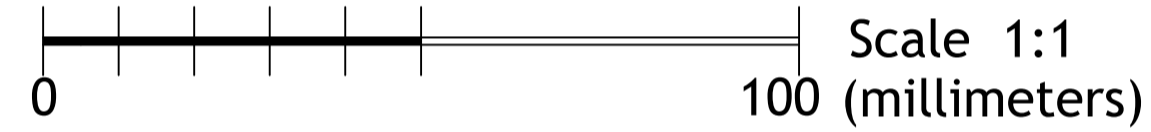
ALL LEVELS, ANGLES AND DIMENSIONS TO BE CHECKED ON SITE PRIOR TO COMMENCEMENT OF WORKS.
THIS DRAWING IS TO BE READ IN CONJUNCTION WITH ALL RELEVANT STRUCTURAL ENGINEERS AND MECHANICAL AND ELECTRICAL ENGINEERS DRAWINGS, DETAILS AND SPECIFICATIONS.

To be read in conjunction with Window Schedule



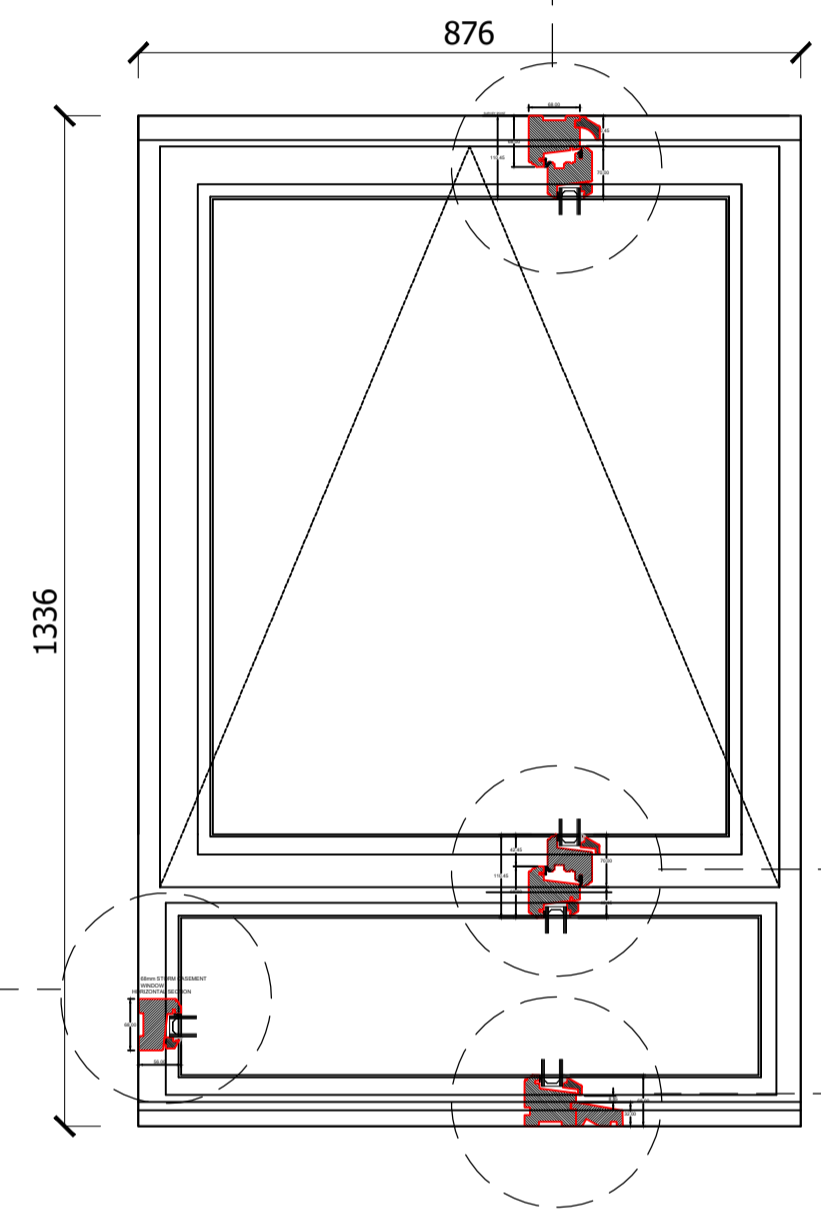
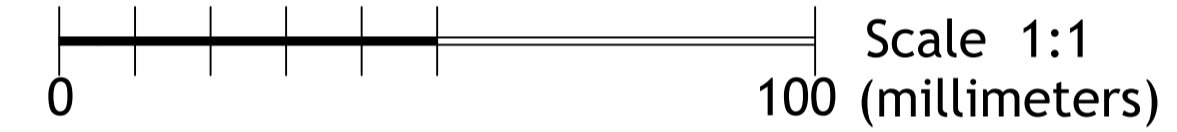
TYPICAL PROPOSED DETAIL

scale 1:1 @ A1



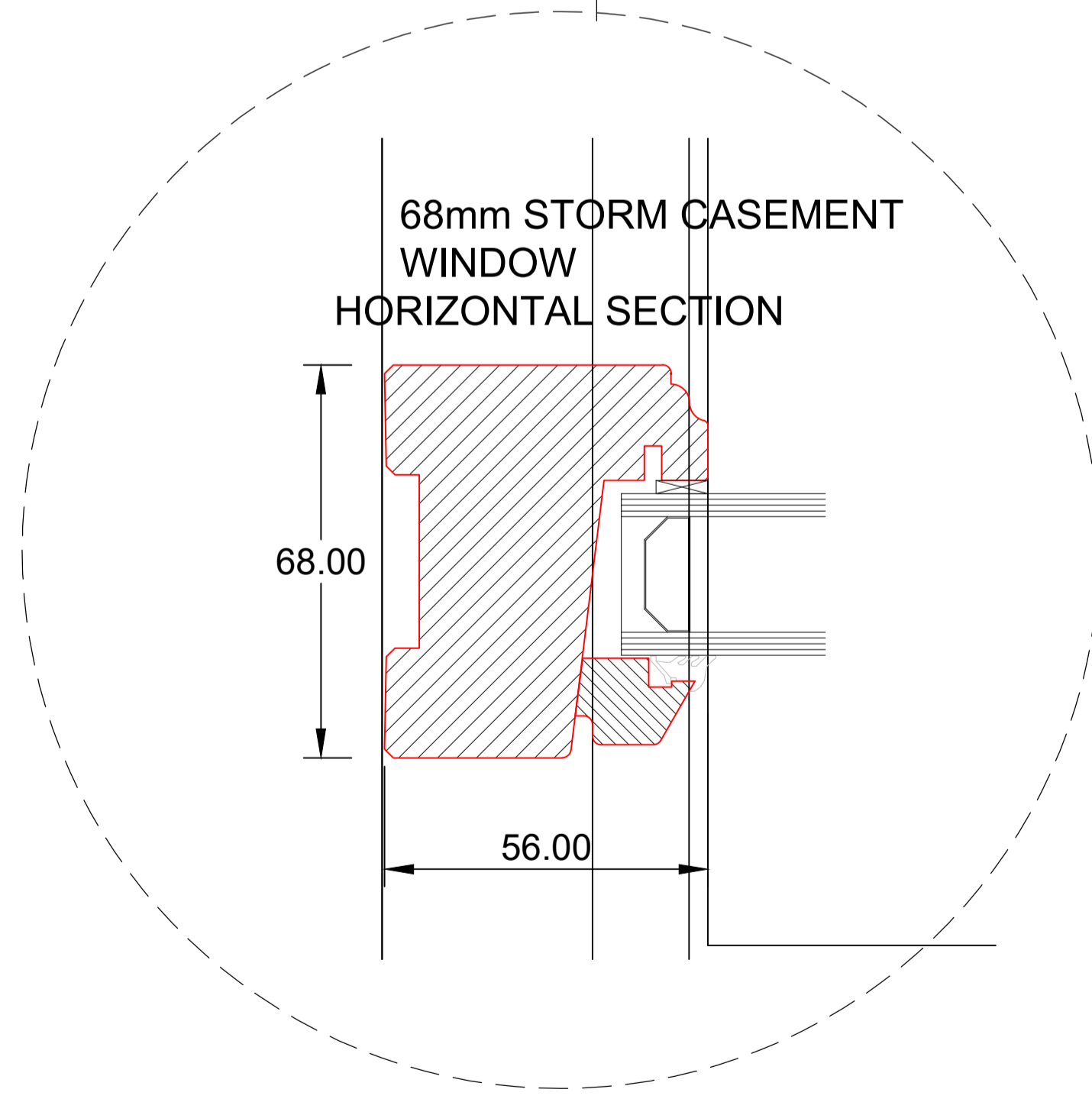
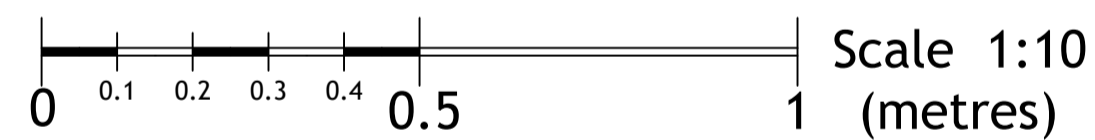
TYPICAL PROPOSED DETAIL

scale 1:1 @ A1



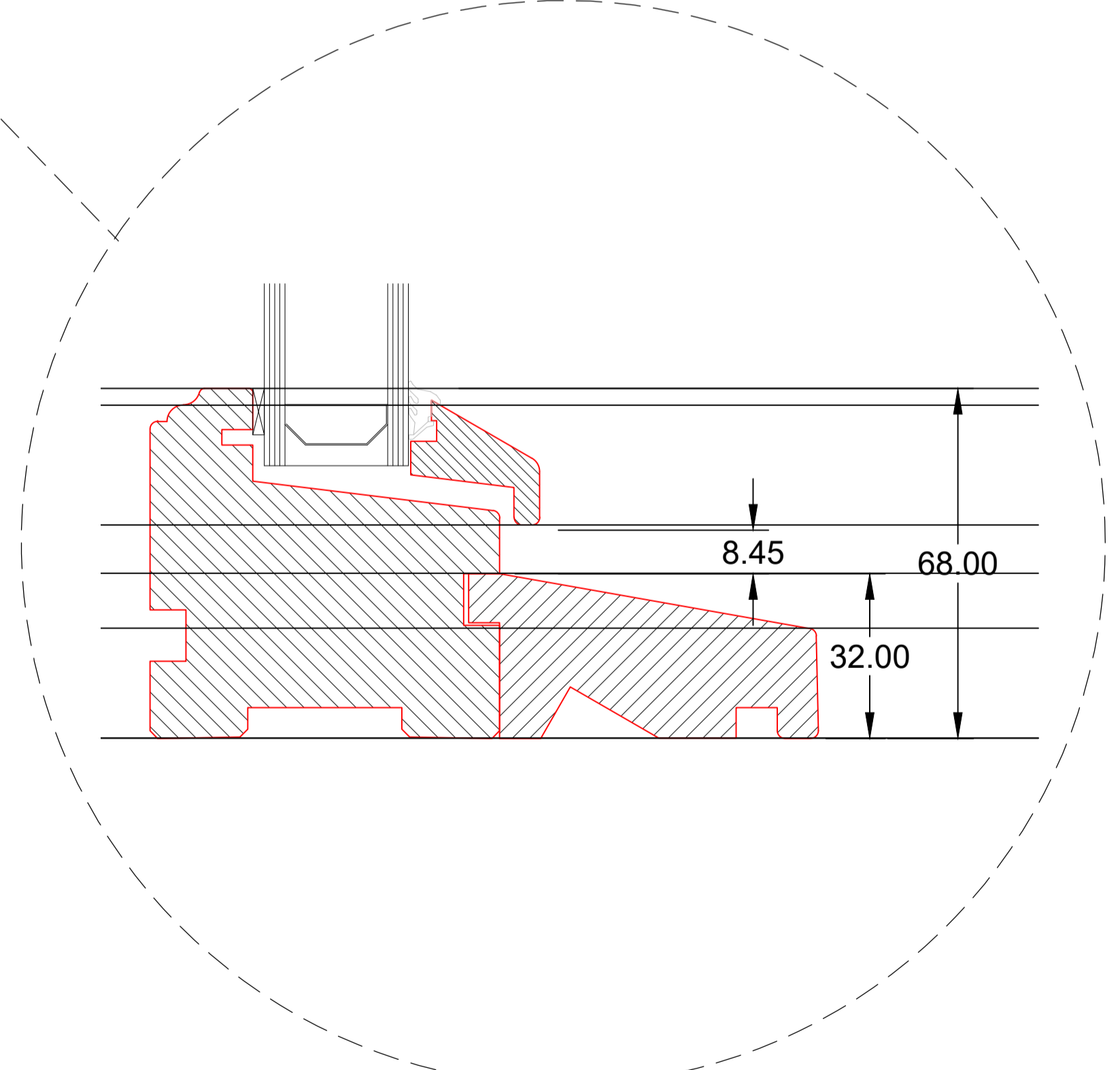
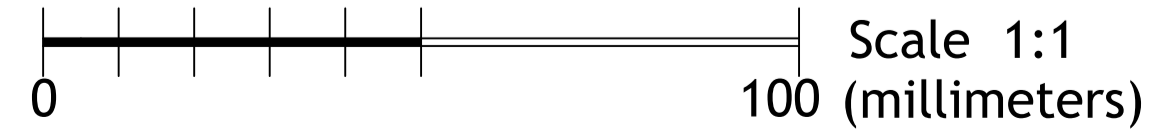
PROPOSED TYPICAL WINDOW TYPE - W1

scale 1:10 @ A1



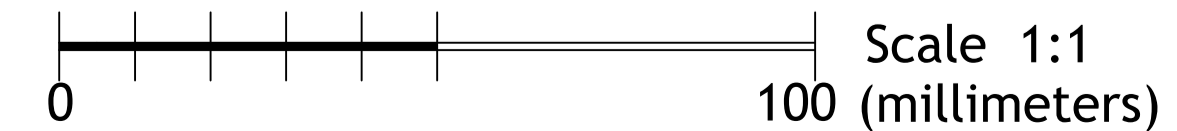
TYPICAL PROPOSED DETAIL

scale 1:1 @ A1



TYPICAL PROPOSED DETAIL

scale 1:1 @ A1



Date	Issue	Revision	Initial

Status:

PLANNING

Client:



Customer:

Mr Laurie Brown

Project:

Proposed window replacement

Site Address:

Flat 2,
18C Hopetoun Road
South Queensferry, Midlothian
EH30 9RA

Sheet Title:

- Typical Proposed Window Elevation
- Typical Details

Scale:	Date:	Drawn:	Checked:
As Shown @ A1	Dec 2023	SCS	SCS

Drawing Ref.

NH1182BD

Sheet No.

A-02

Revision No.: