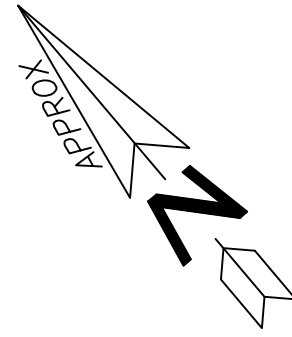
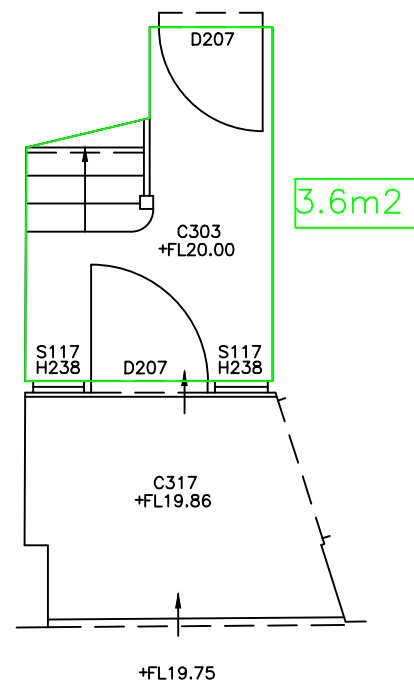


GROUND FLOOR ENTRANCE



400mN



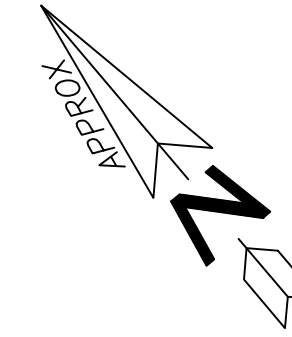
390mN



600mE

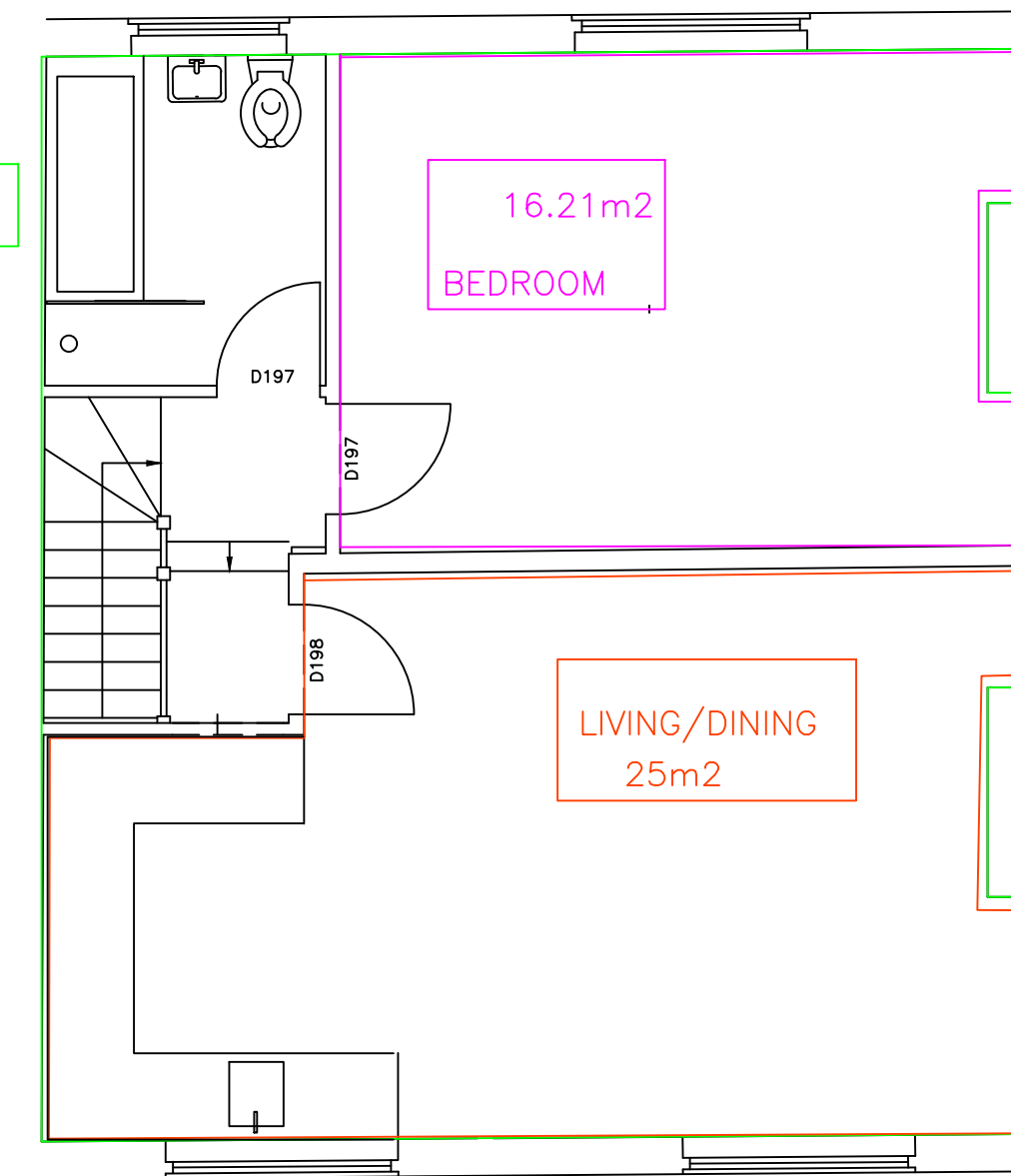
610mE

FIRST FLOOR



400mN

51.2m2



390mN



600mE

610mE

PROPOSED PLANS

LONG LANE
BEXLEYEHEATH
KENT
DA7 5AH

SURVEYED FOR		
NO	DATE	REVISION
DRAWING NO	L 11716/2	REV 0
SCALE	1 : 50	@ A1
SEE ALSO DWG NOS		
SHEET	1 of 1	
REF NO	L 11716	