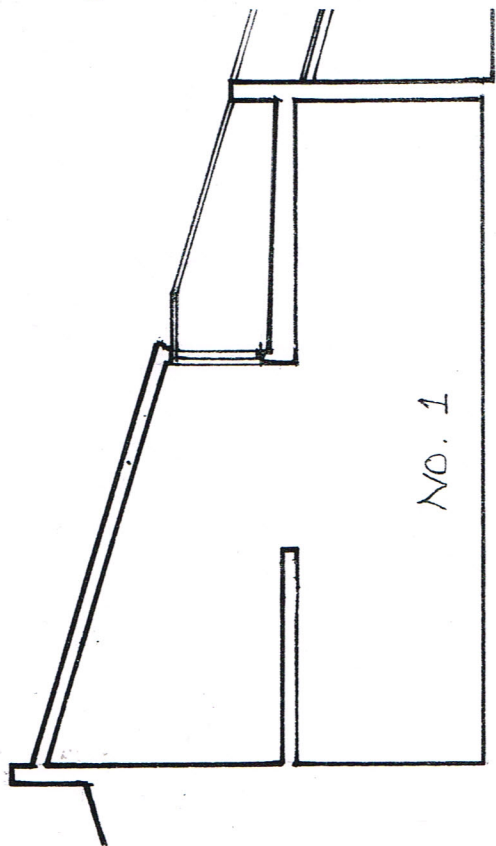
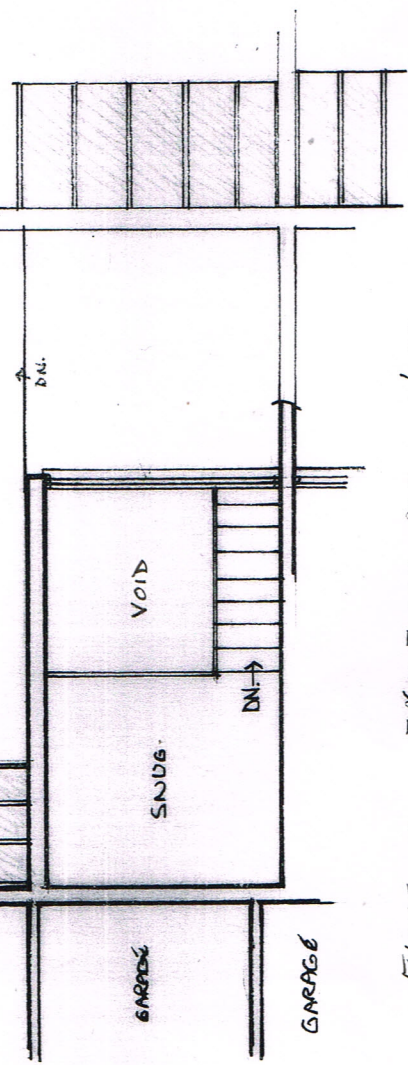


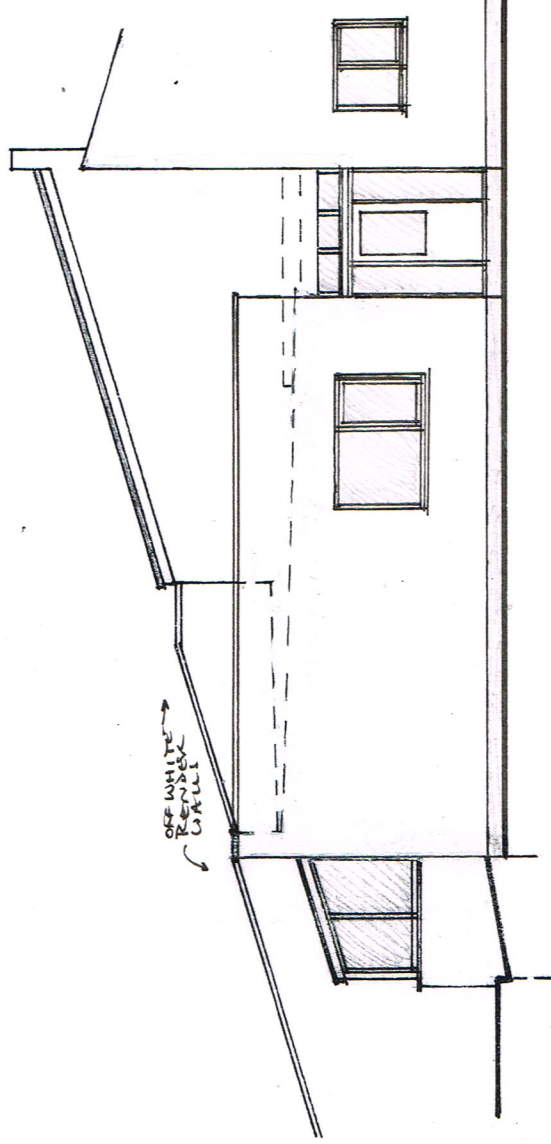
EXISTING EAST ELEVATION 1/100



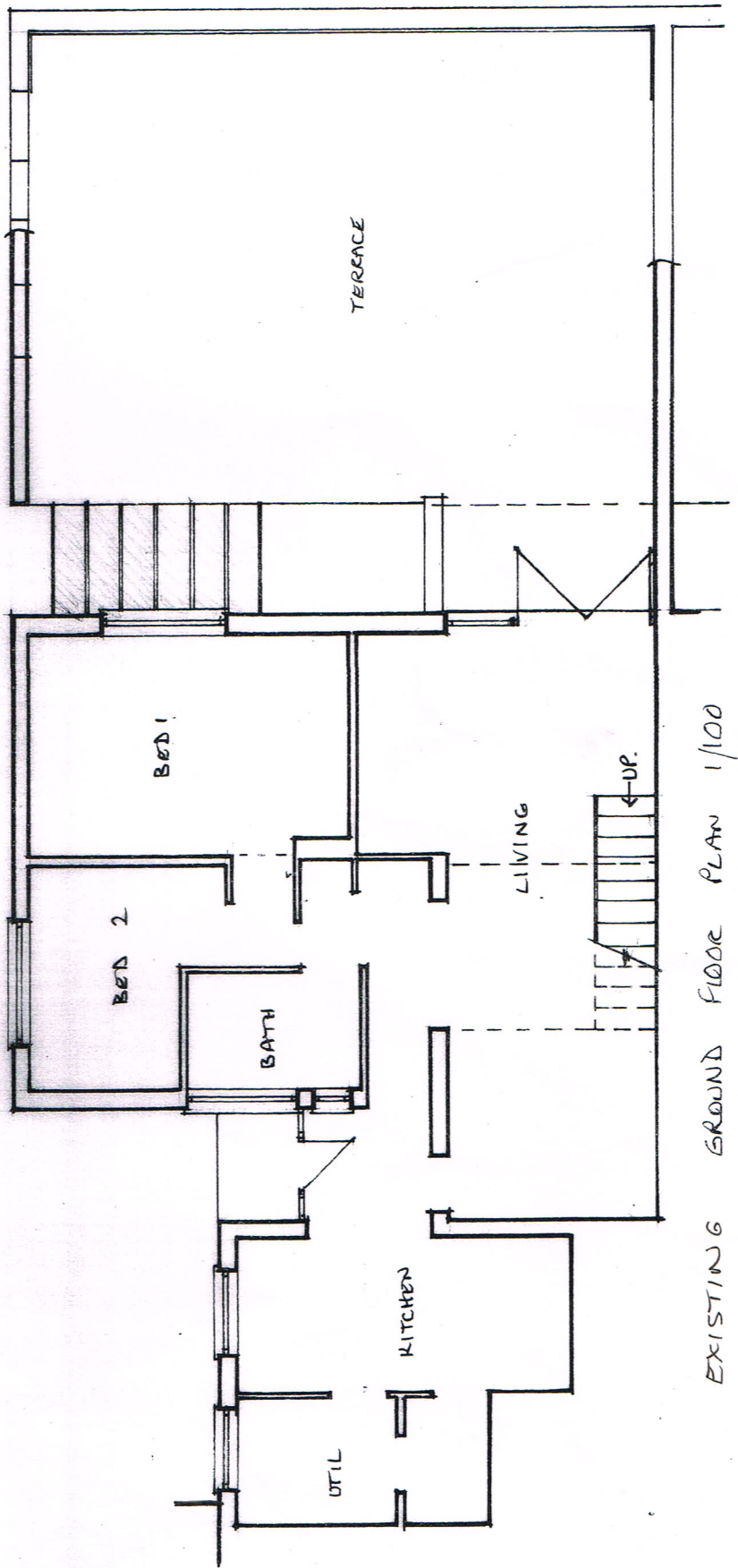
EXISTING SOUTH ELEVATION 1/100



EXISTING FIRST FLOOR PLAN 1/100



EXISTING NORTH ELEVATION 1/100



EXISTING GROUND FLOOR PLAN 1/100

0 1 2 3 4 5 M 1/100 scale e A3	Client: MR. G. ORR
AMENDMENTS:	Scale: 1/100 @ A3
	Date: NOV. 2023
	Des. Title: EXISTING PLANS AND ELEVATIONS
	Dwg. No. 051/23/2
<p>PROPOSED EXTENSION AND ALTERATIONS AT 4, MOONRAKERS, PARC DWLES, CARBIS BAY, TR26 2RE</p>	
<p><b>GARY WILSON</b> Architectural Technician 1 Aldreath Cottages, Aldreath Road, Madron, Penzance, Cornwall TR20 8ST Tel: 01738 333482</p>	