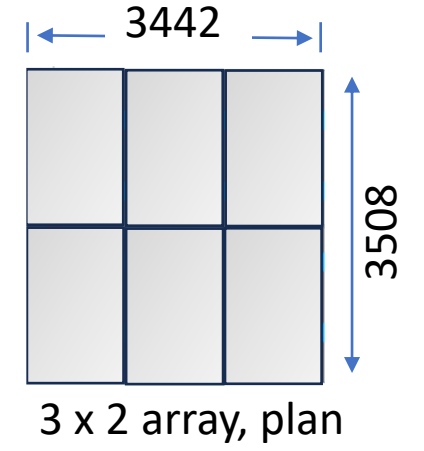
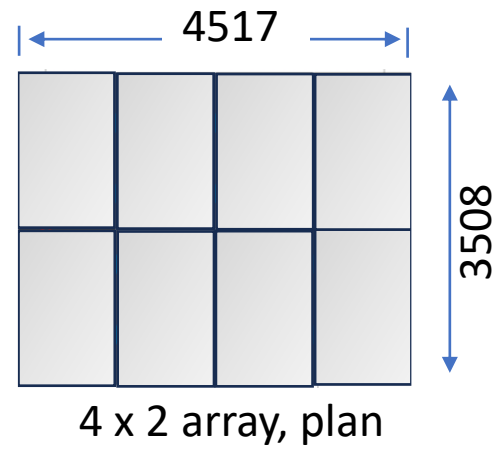
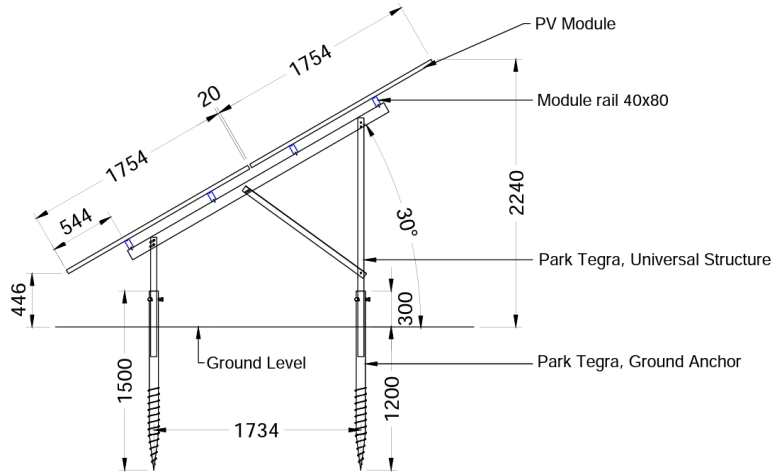


Dimensions & Layout of Solar Panel Arrays

PLAN 03

Dimensions (mm) of arrays
in profile and plan
(concept only, not scaled)



View of assembled arrays from above

