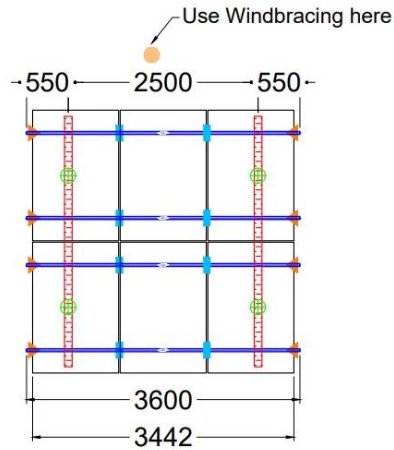
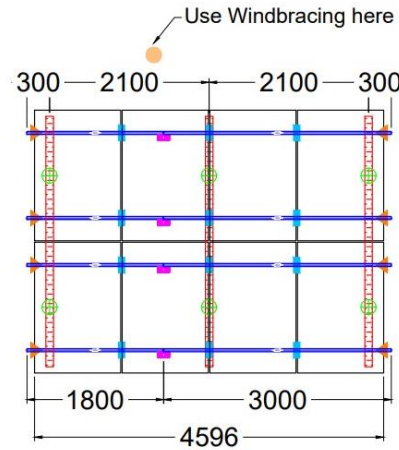


## Plan of panel arrays

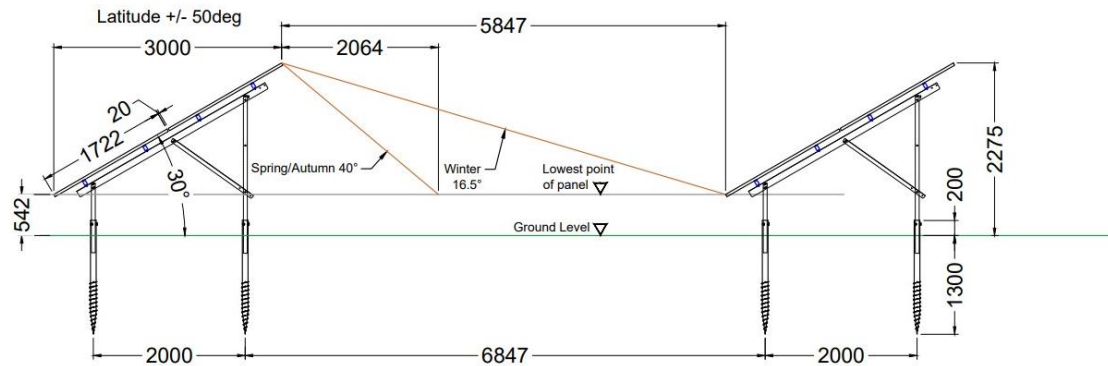


2No. 2x3 Arrays  
Total 12 Modules



2No. 2x4 Arrays  
Total 16 Modules

## Side elevation of arrays

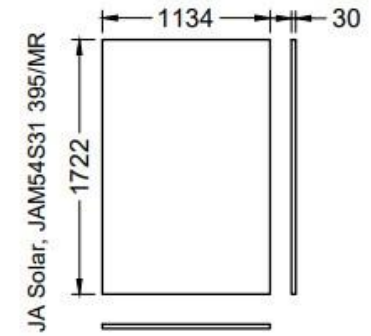


(All dimensions above in mm)

Scale (1:100 at A4)

5 m

## Panel detail



### Legend:

Module		Cross Connector	
Corner Clamp		Fixing Point	
Middle Clamp		Substructure	
Rail Connector Fixed		Crowns / Seams	
Module Rail		Elevation / Park Tegra	
Base Rail		Rail Connector Flexible	
Windbracing		Roof Line	

N.B. only one 2x3 and one 2x4 array are shown here, although two of each type are being proposed

Drawings prepared by  
SUNFIXINGS  
(www.sunfixings.co.uk)

PLAN 04