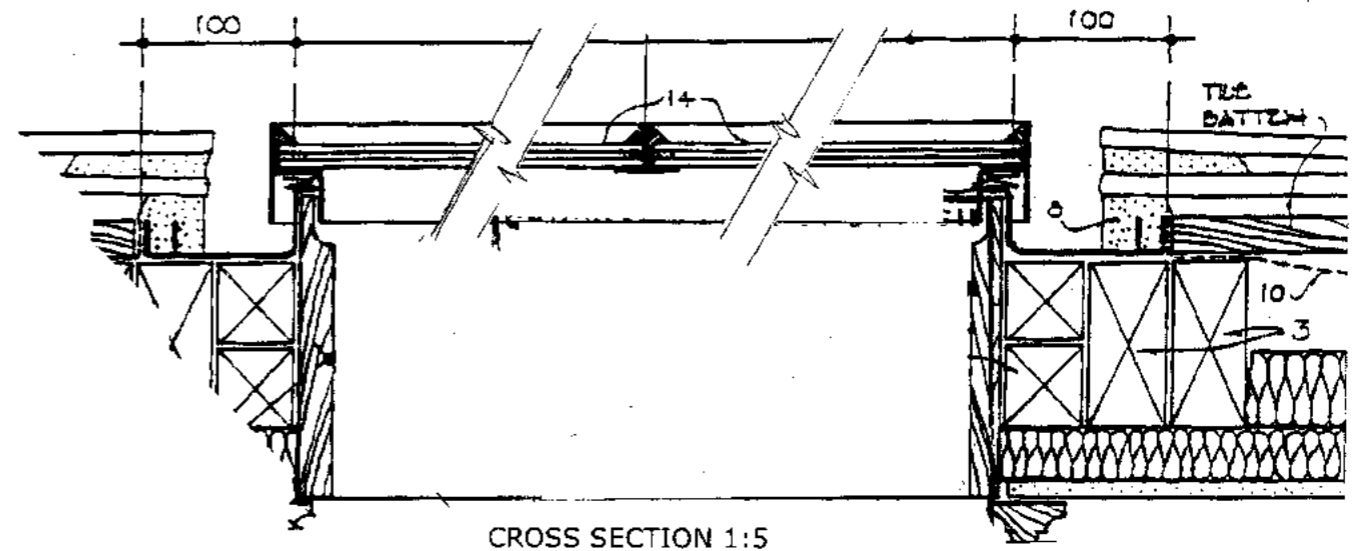
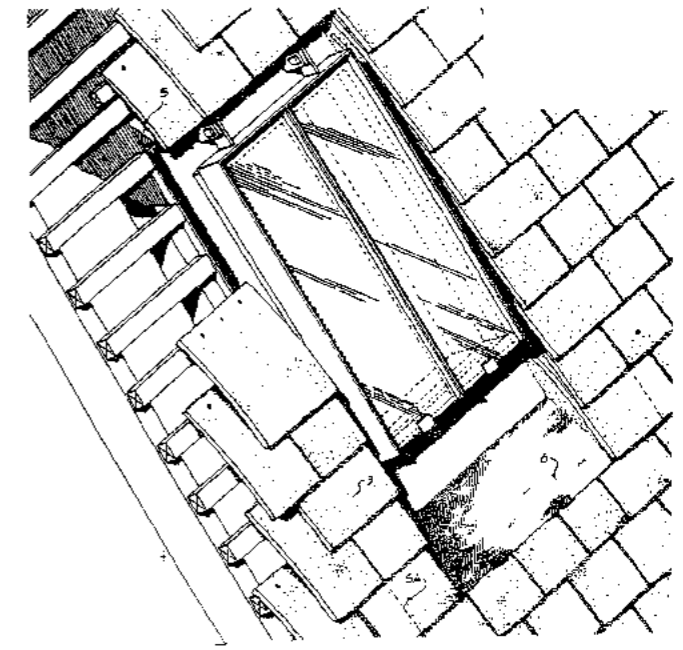
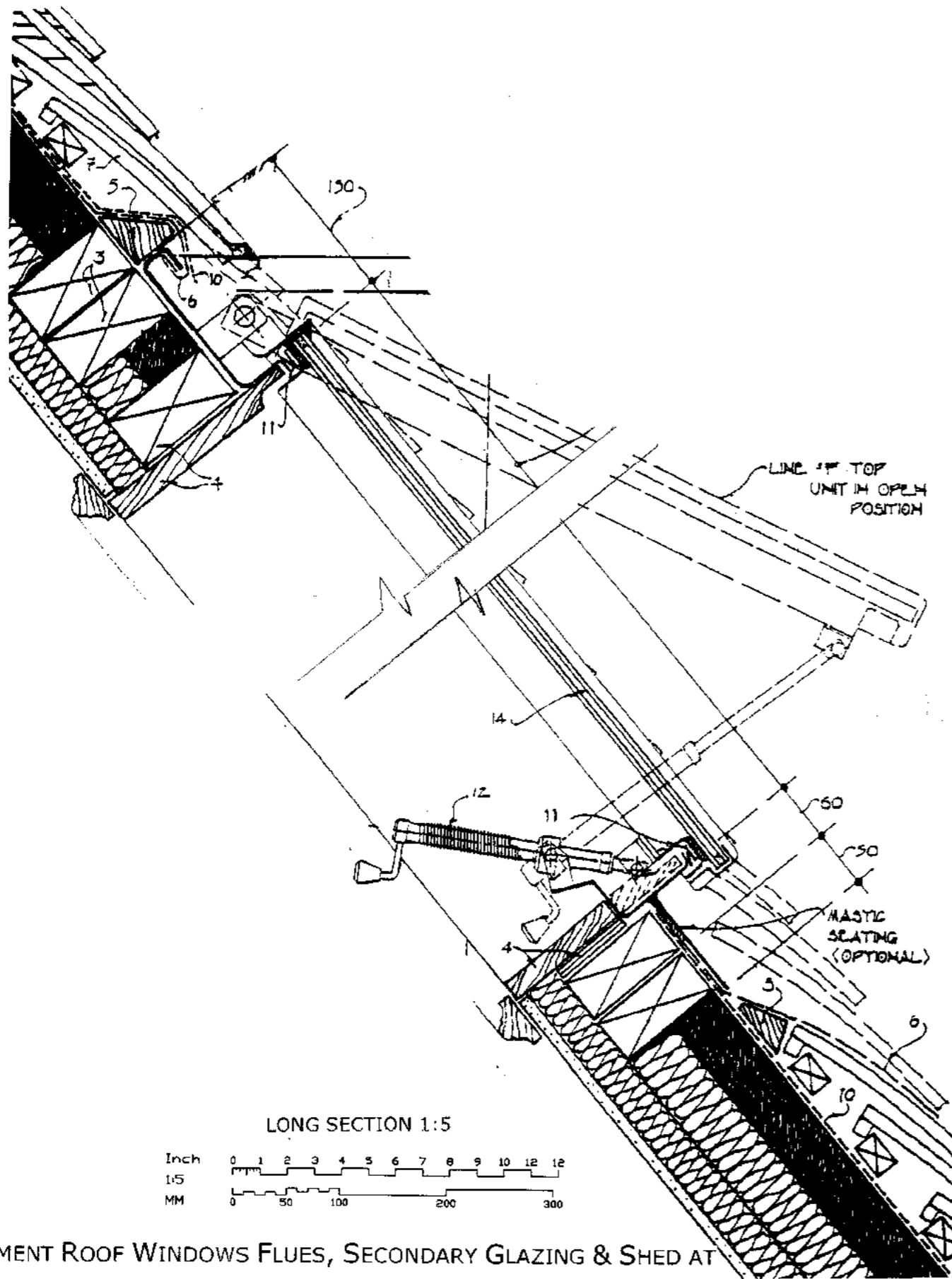


A3 Sheet Size



REPLACEMENT ROOF WINDOWS FLUES, SECONDARY GLAZING & SHED AT
3 THE OLD SCHOOL HOUSE, MILL LANE, COCKING

EXISTING
 ROOF WINDOW DETAILS
 DRAWING 7