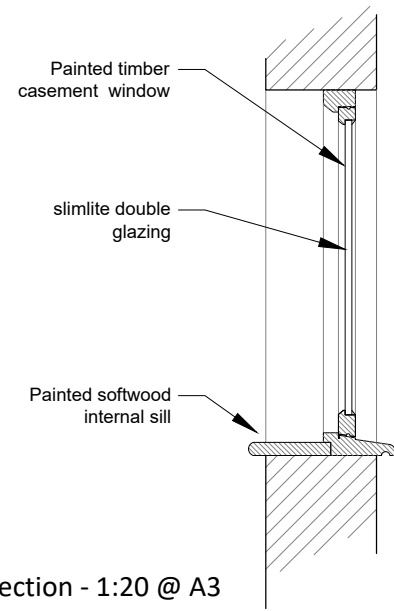


WG.01

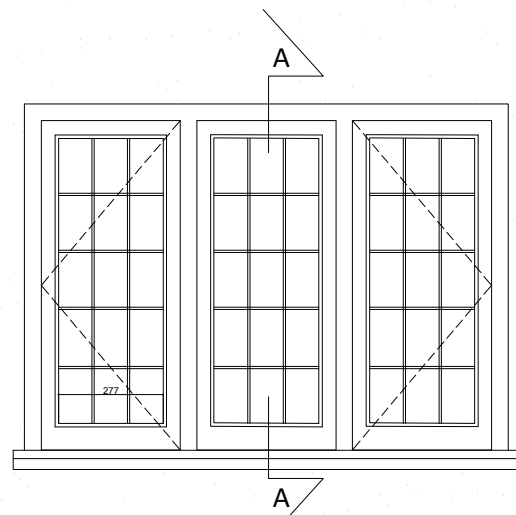
WG.02

WG.03

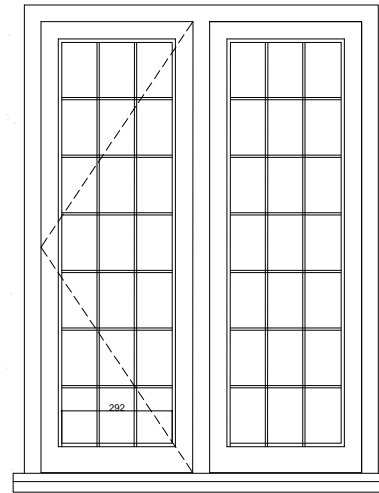
WG.04



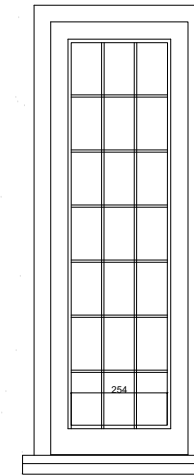
Section - 1:20 @ A3



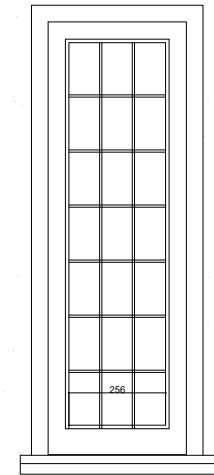
External Elevations - 1:20 @ A3



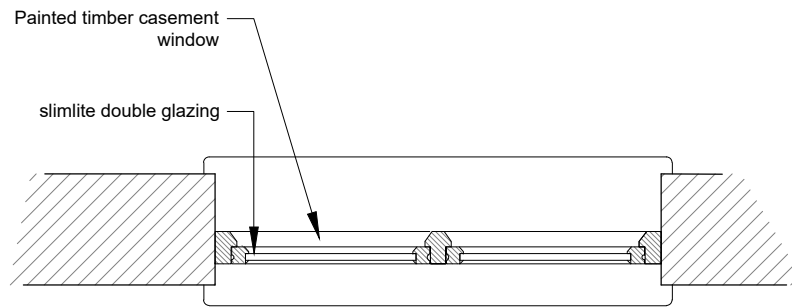
External Elevations - 1:20 @ A3



External Elevations - 1:20 @ A3



External Elevations - 1:20 @ A3

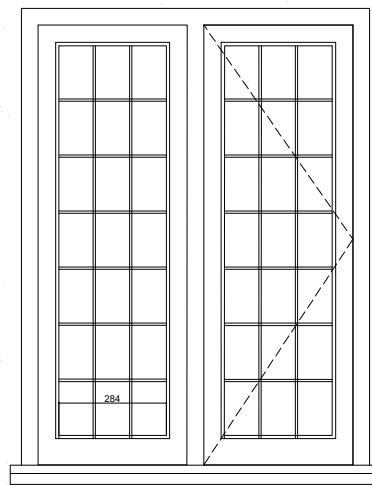


Plan - 1:20 @ A3

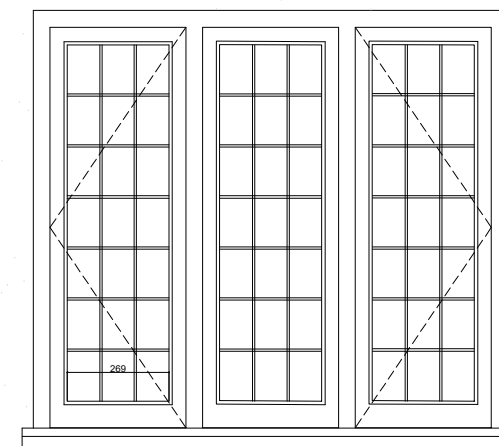
WG.05

WG.06

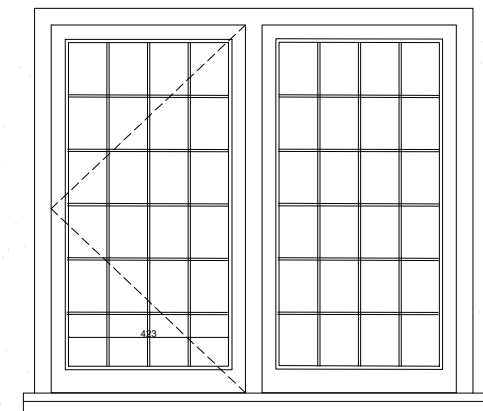
WG.07



External Elevations - 1:20 @ A3



External Elevations - 1:20 @ A3



External Elevations - 1:20 @ A3

All New Timber Windows

1. All dimensions to be checked on site
2. Painted Timber Windows
 - External and internal finish to be black stain
2. Ironmongery to be black painted metal.
3. Slimlite glazing with mock lead pattern finish



SCALE

Date	Rev	Comments
22.03.2023	-	PLANNING ISSUE (MW)
04.04.2023	A	DRAWING UPDATED (MW)
06.12.2023	B	DRAWING UPDATED (MW)
13.12.2023	C	DRAWING UPDATED (MW)
19.12.2023	D	DRAWING UPDATED TO CLIENT COMMENTS (MW)

GENERAL NOTES:

This drawing is the property of BENCHMARK ARCHITECTS & is not to be reproduced other than for the purposes of this project named below without permission.

DO NOT SCALE from this drawing. All dimensions should be checked and confirmed on site and any discrepancies reported to the architect. Any conflict or discrepancy between this drawing and any other information must also be reported and clarification sought.

All works are to be carried out in accordance with current Codes of Practice and British Standards unless specifically directed otherwise. It is the design sub-contractors responsibility to ensure that all dimensions and details

are appropriate to their installation. This drawing or any comments within should not be mis-construed so as to relieve the sub-contractor of that responsibility. All materials and components are to comply with specifications and should achieve all design performance and tolerances stated in specifications.

HEALTH AND SAFETY INFORMATION

All works should be carried out by a competent contractor working to an appropriate method statement and paying attention to current and relevant Construction (Design and Management) project documentation including the designers risk assessment.

BENCHMARK
ARCHITECTS

Project Title: SUNNYBROOK FARM
Drawing Title: PROPOSED WINDOW DETAILS
Client: MR P HICKS
Date: 22.02.2023
Scale: 1:20@A3

Project No: BH22048
Drawing No: 03-31-001
Revision: D