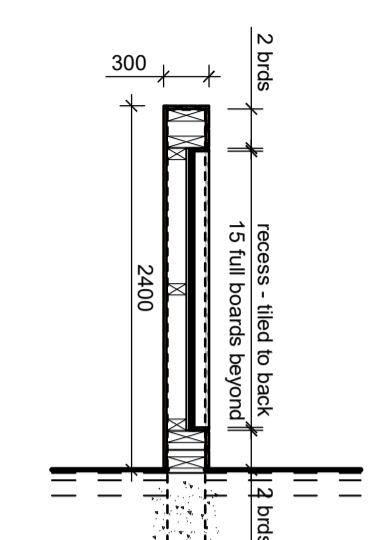
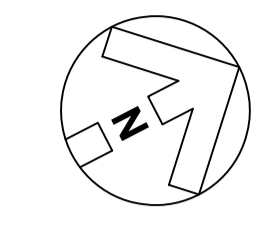
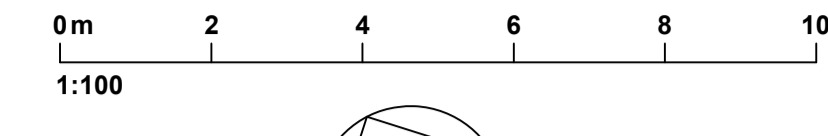
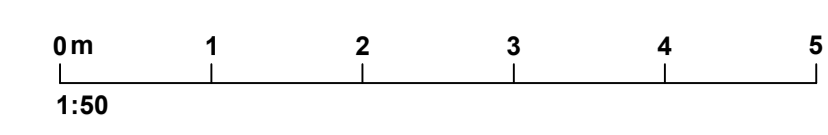
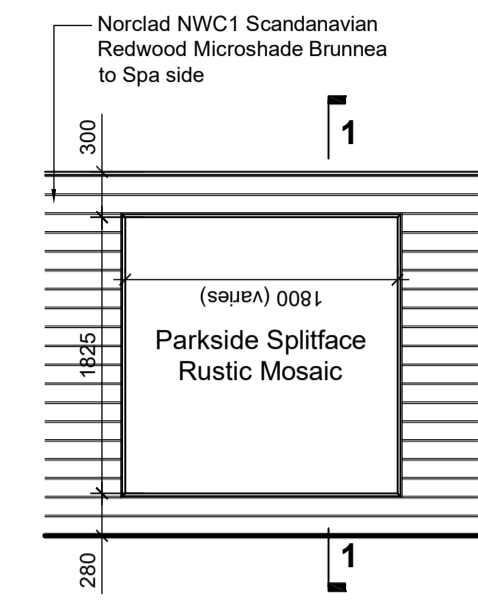


NOTES

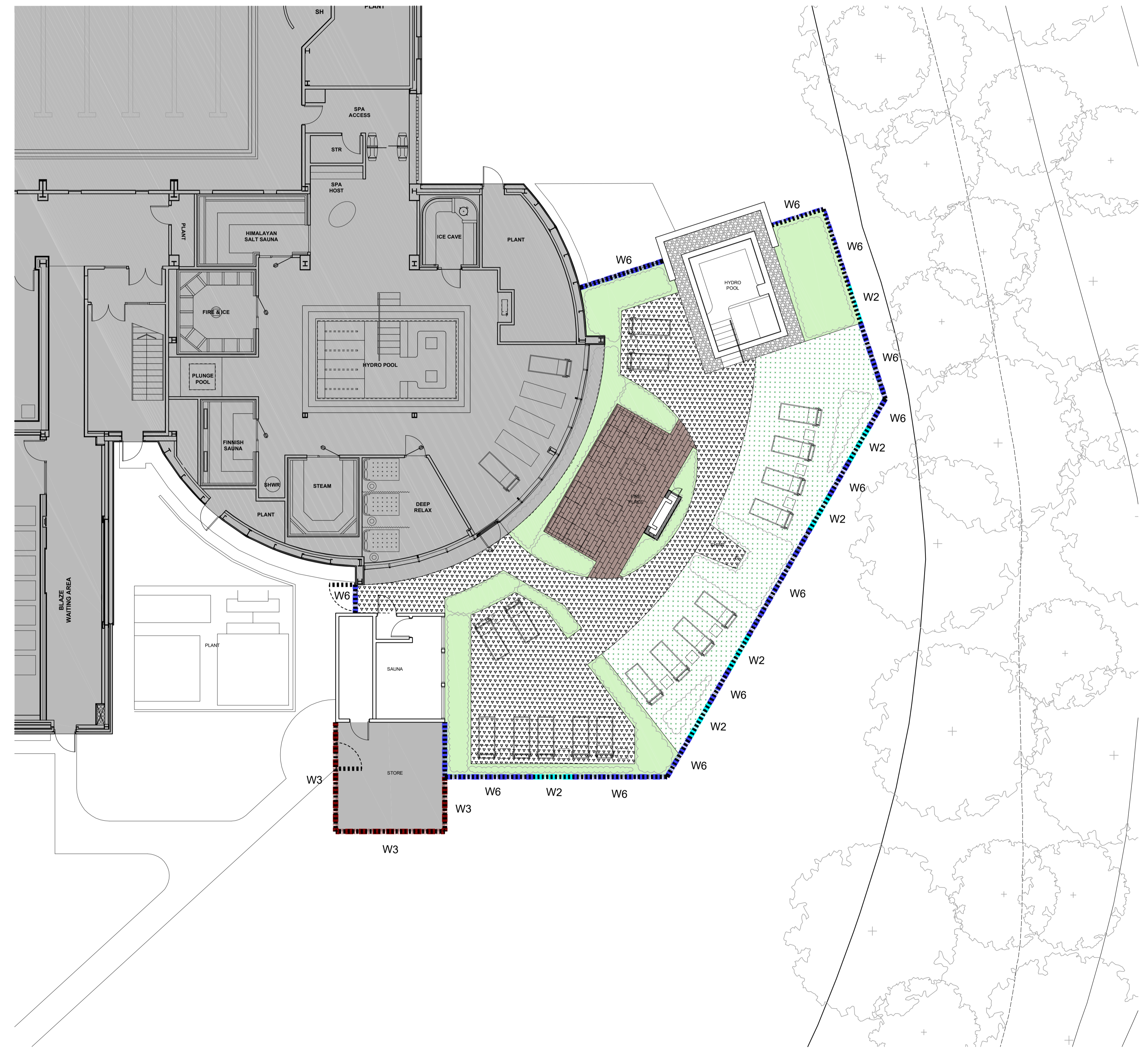


FEATURE SLATE FENCE  
PANEL SECTION 1  
Scale 1:50



TYPICAL ELEVATION  
Scale 1:50

- KEY**
- SOFT LANDSCAPING / PLANTING
  - ARTIFICIAL GRASS
  - PEVING SPA GARDEN  
Bradstone Stonemaster 800x200,  
Random lay colour mix: 40% Light Grey,  
30% Mid Grey, 30% Dark Grey laid in  
random mix, 1/3 staggered bond with grey  
pointing/dry mix
  - SLATE CHIPPINGS  
Grey slate chippings 20mm  
on weed control membrane
  - RESIN BOUND GRAVEL  
Resin Bound Gravel, Cappuccino  
TheResinMill.co.uk
  - PAVING SLABS  
450x450mm, Tobermore Mayfair,  
Graphite
- W6** 2.4m NORCLAD  
2.4m high, Norclad NWC1 Scandinavian Redwood  
Microshade Brunnea treated boards,  
laid horizontally to single side (spa side)
  - W2** 2.4m FEATURE STONE WALL  
2.4m high, Parkside Splitface Rustic Mosaic
  - W3** 2.4m CLOSE BOARDED FENCE  
2.4m high, planed board finish to both side



REVISION: P01 BY: HP CHECKED: MPB DATE: 09/11/2023  
PLANNING ISSUE

REVISION: S4a | FOR PLANNING  
CLIENT:



PROJECT: GLASGOW WEST END  
SPA GARDEN

TITLE: PROPOSED  
SITE MATERIALS PLAN

Hadfield Cawkwell Davidson  
Broomgrove Lodge, 13 Broomgrove Rd, Sheffield, S10 2LZ T 0114 266 8181 www.hcd.co.uk

HCD PROJECT NO. 2023-191	SCALE 1:100 @ A1	REV. <b>P01</b>
PROJECT NO. 23191	ORIGINATOR HCD	VOLUME A0
LEVEL 00	TYPE DR	ROLE + NUMBER A-PL-020