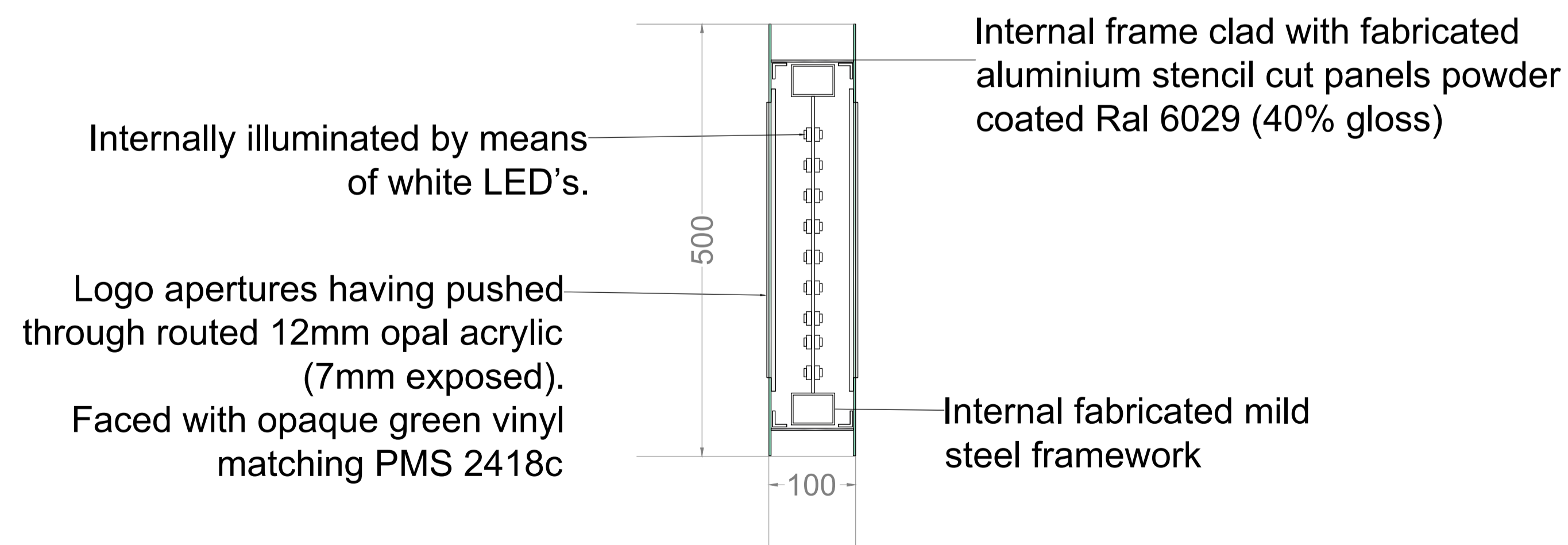


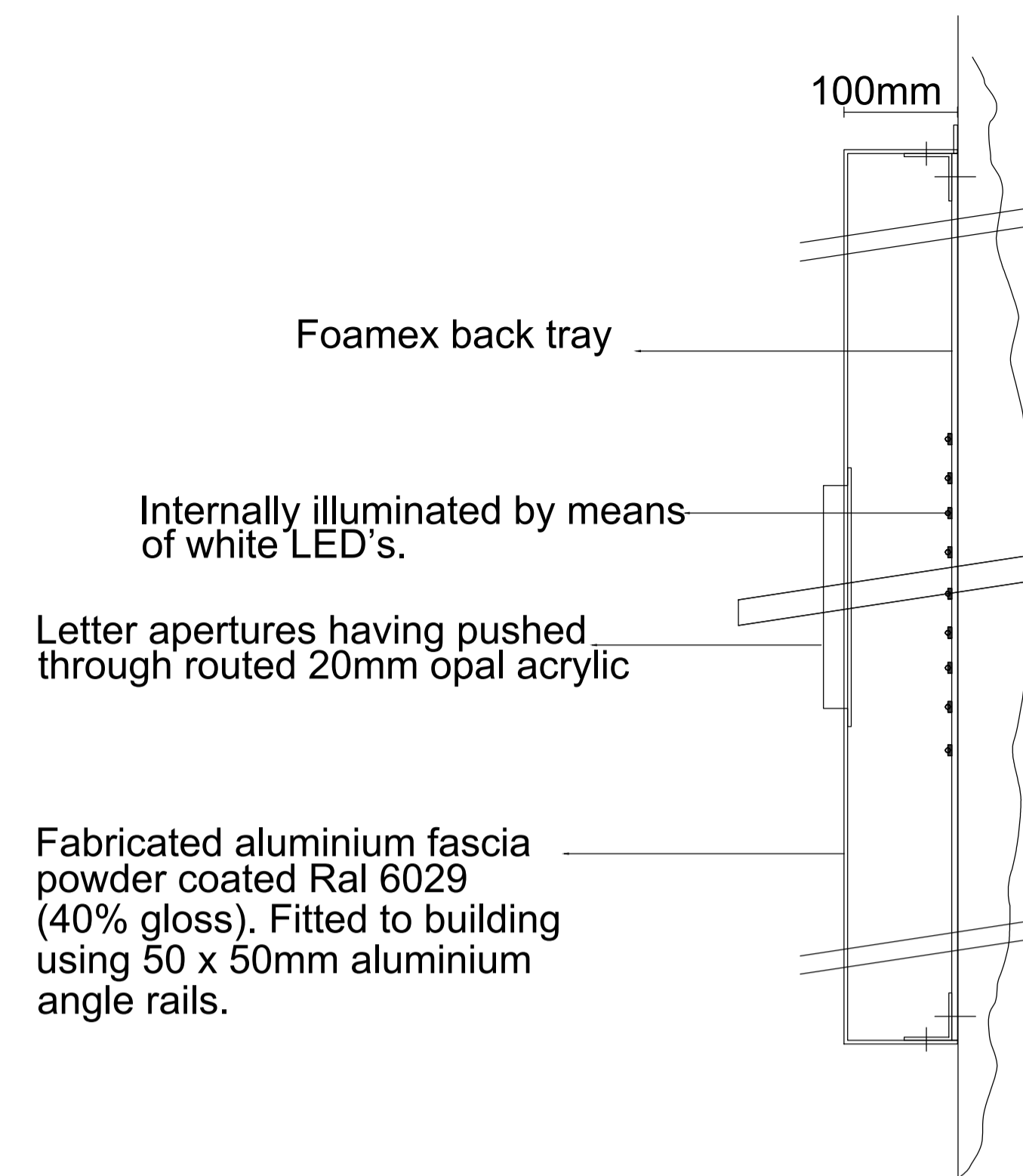


PROPOSED ELEVATION  
SCALE 1:50 @ A1

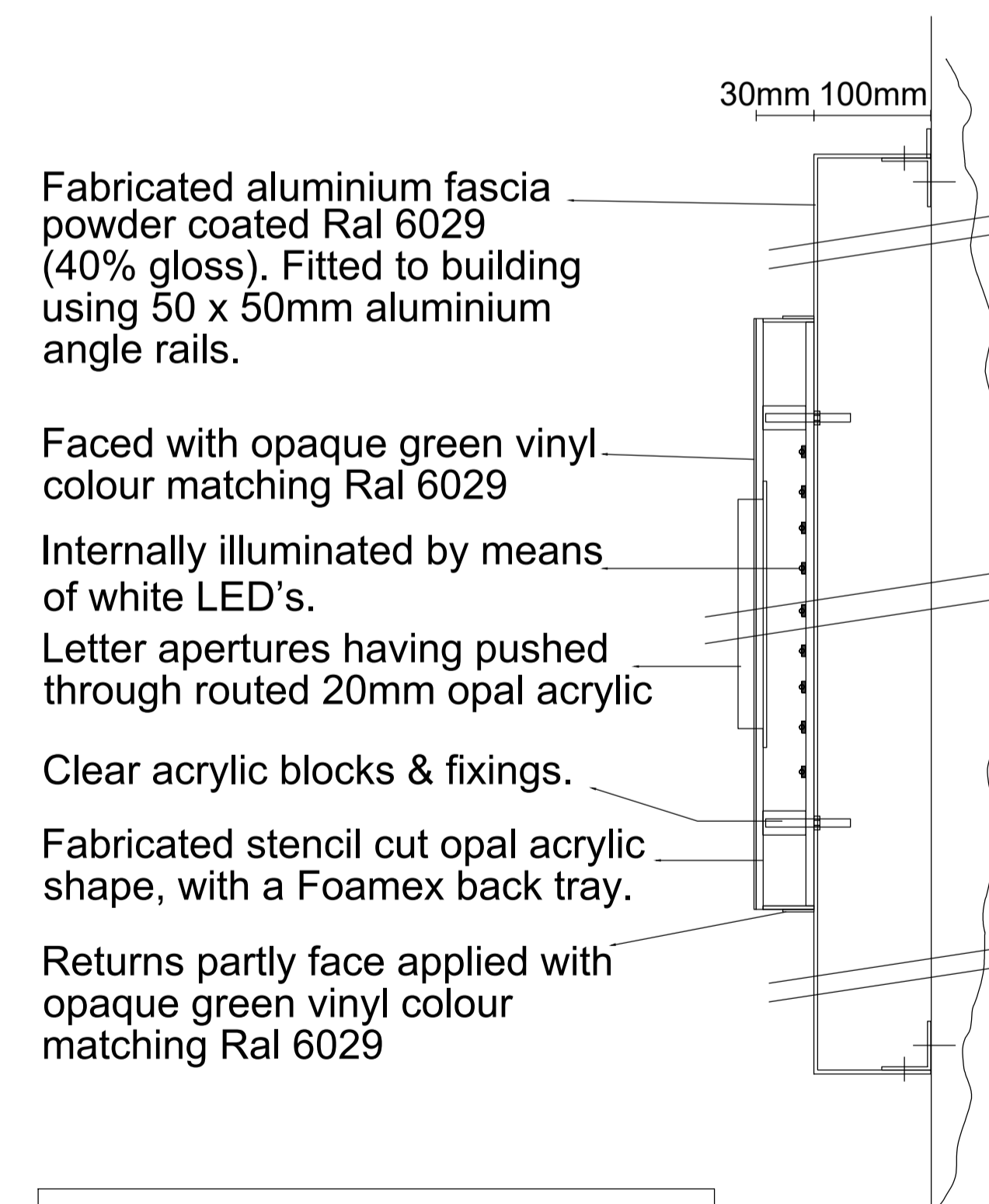
Note: Electrical feed to be supplied to sign position by others.



PROPOSED SECTION THROUGH INTERNALLY ILLUMINATED PROJECTION SIGN  
SCALE 1:5 @ A1

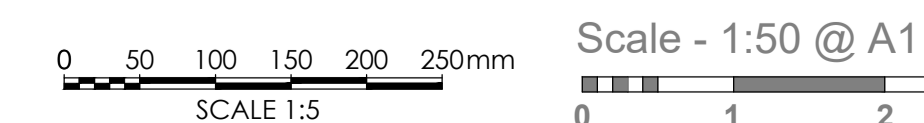


FASCIA SIGN - SUB TEXT SECTION  
THROUGH SCALE: 1:5 @ A1



Note: Electrical feed to be supplied to sign position by others.

FASCIA SIGN - LOGO SECTION  
THROUGH SCALE: 1:5 @ A1



Drawing Sign off by:  
Date:



Amendments:

| Rev | Init | Date     | Description                            |
|-----|------|----------|--|
| -   | RDS  | 09.11.23 | Initial creation of planning drawings. |

Project:  
93 High St,  
Street,  
Somerset,  
BA16 0EZ

Title:  
Proposed Elevation Drawings

**Specsavers** Optical Superstores  
Business Development, Tel: +44 (0)345 2020 241  
Cirrus House, Fax: +44 (0)845 2020 241  
10 Experia Way, Nottingham  
E: designs@specsavers.com  
NG2 1EP www.specsavers.com

Street Expansion

Drawn By: RDS Scale: 1:50 @ A1 Date: Nov 2023

Drawing Number: 589/104 Revision: -

PLANNING ELEVATIONS