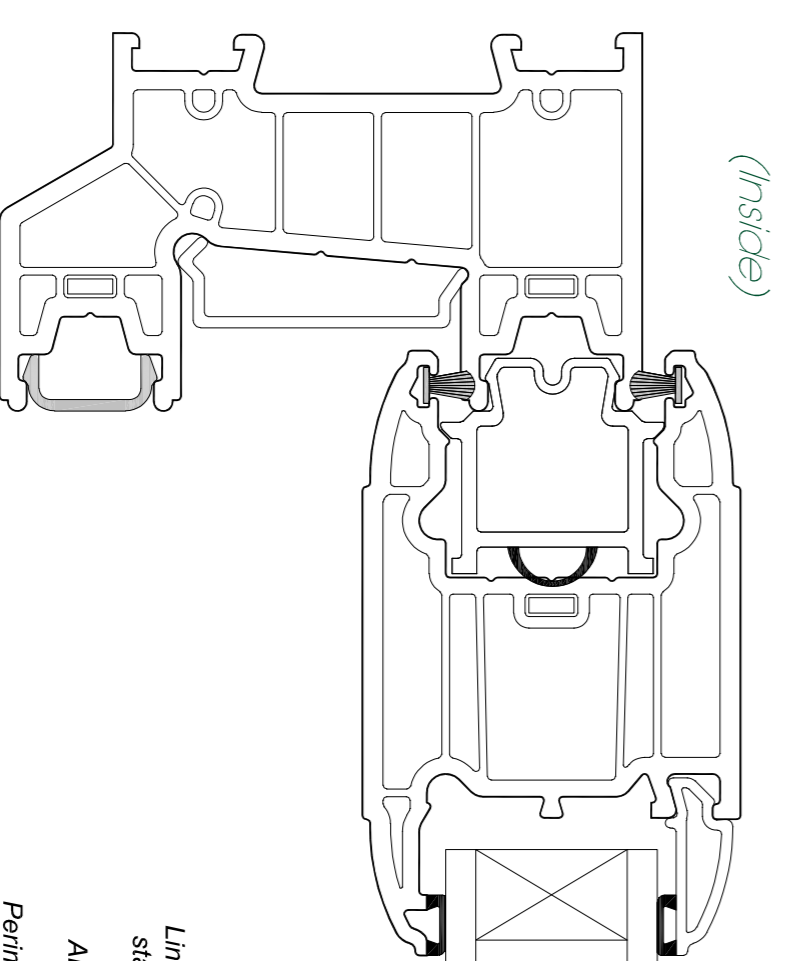


Internally Glazed 2 Pane ModLoK™ Patio Door

Kitemark **KM522040**

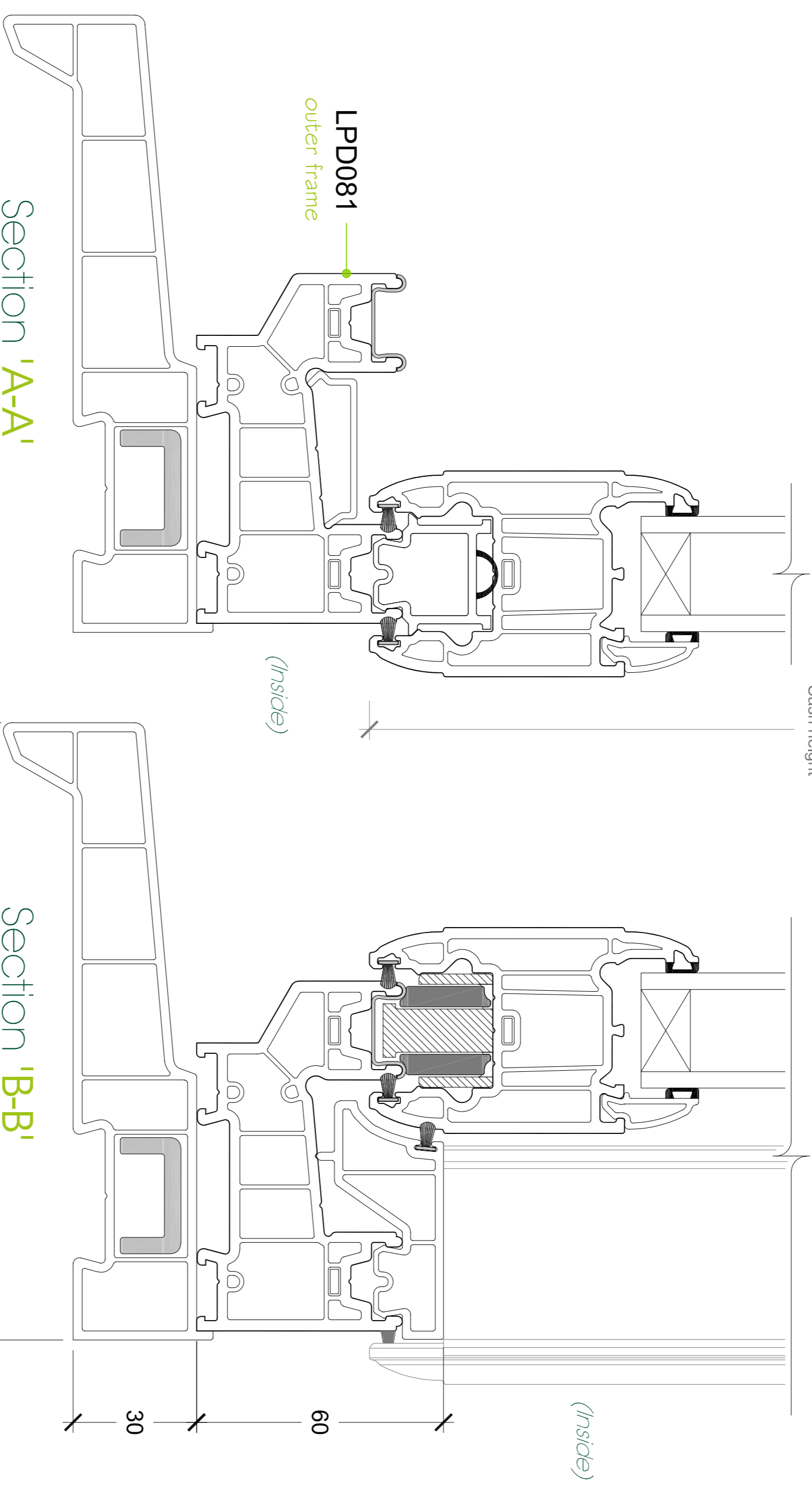
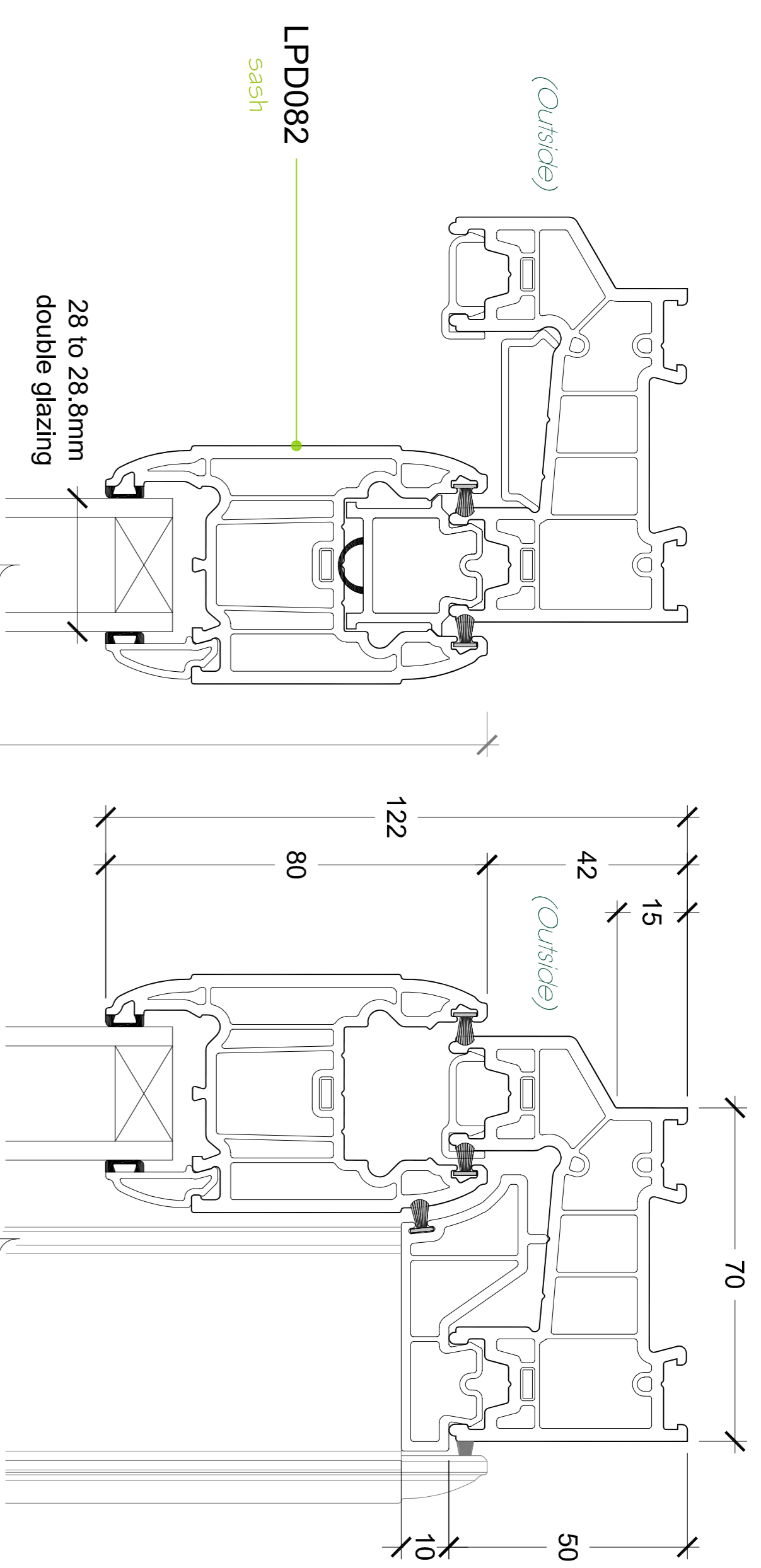
In respect of:
BS EN 12608 / PAS24
PVCU Profile -
Enhanced Security Doors System Supplier

Door Leaf with:	Width (mm)	Height (mm)	Air Permeability classification	Water-tightness classification	Resistance to wind classification	Exposure Category as given in table 1 of BS 6375-Part 1
Low threshold	1415	2080	3	4A	B2	800
Standard threshold	1415	2080	3	6A	B2	800
Full frame	1415	2080	3	7A	A2	800



Section 'C-C'

Linlar Ltd takes no responsibility for the overall structural stability, quality of the installation or for the failure of its fittings, members of existing structures. All compartment wall need to be closed off adequately, including fire and smoke stopping where required. Perimeter joints around screens/windows needs to be sealed and weather proofed appropriately.



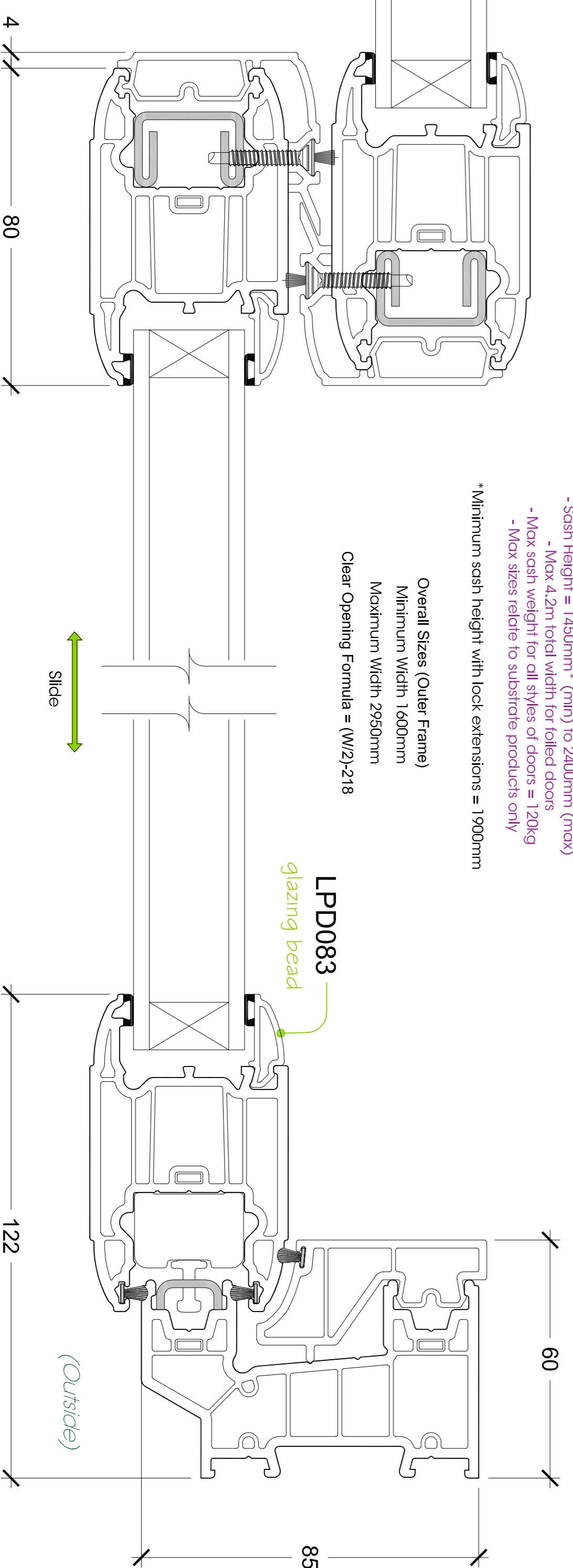
Section 'A-A'

Section 'B-B'

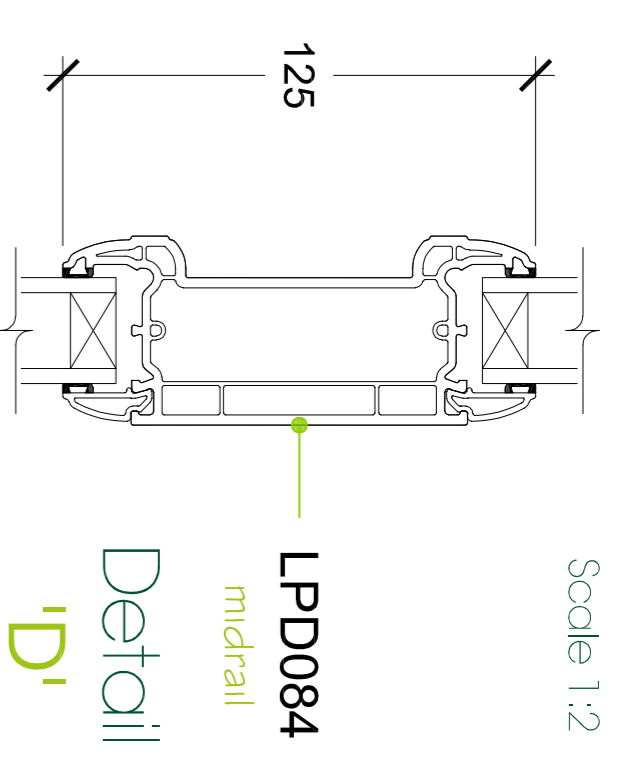
- Sash Height = 1450mm* (min) to 2400mm (max)
- Max 4.2m total width for folded doors
- Max sash weight for all styles of doors = 120kg
- Max sizes relate to substrate products only

*Minimum sash height with lock extensions = 1900mm

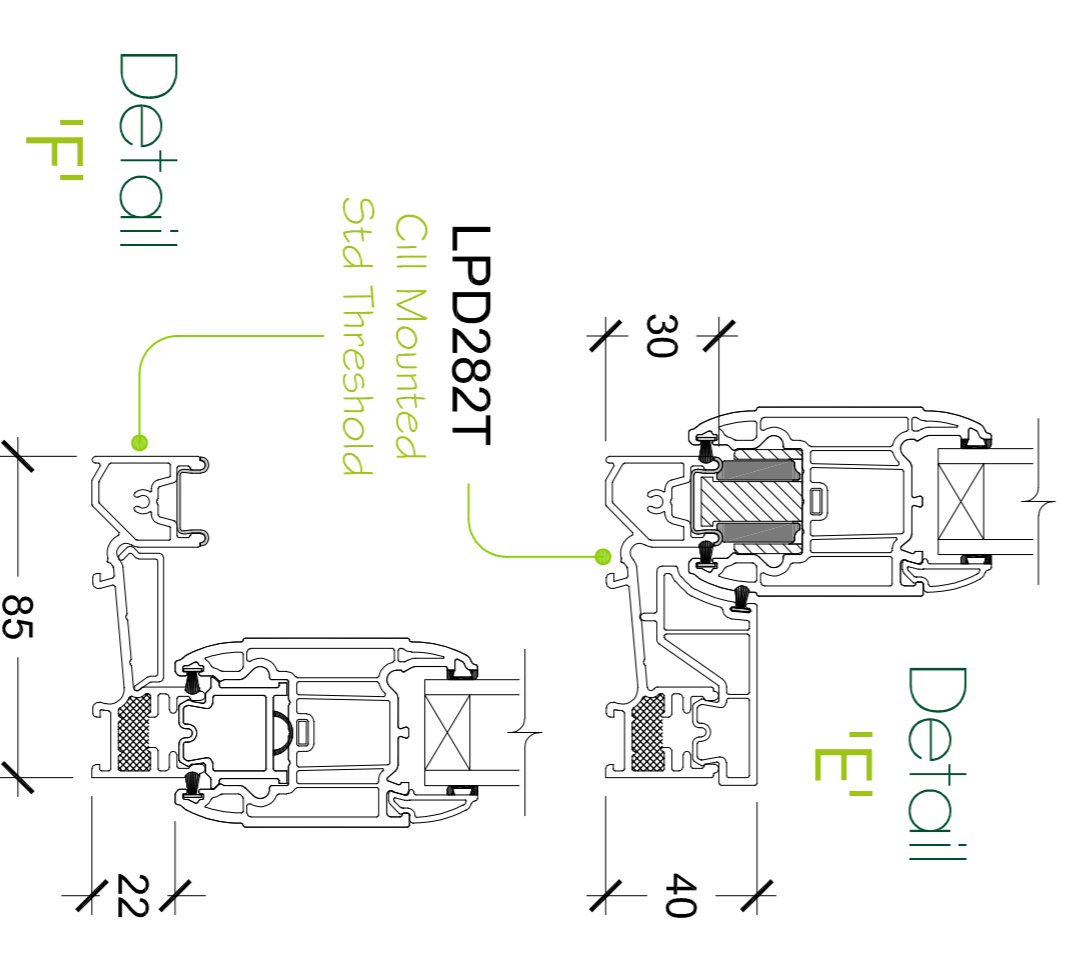
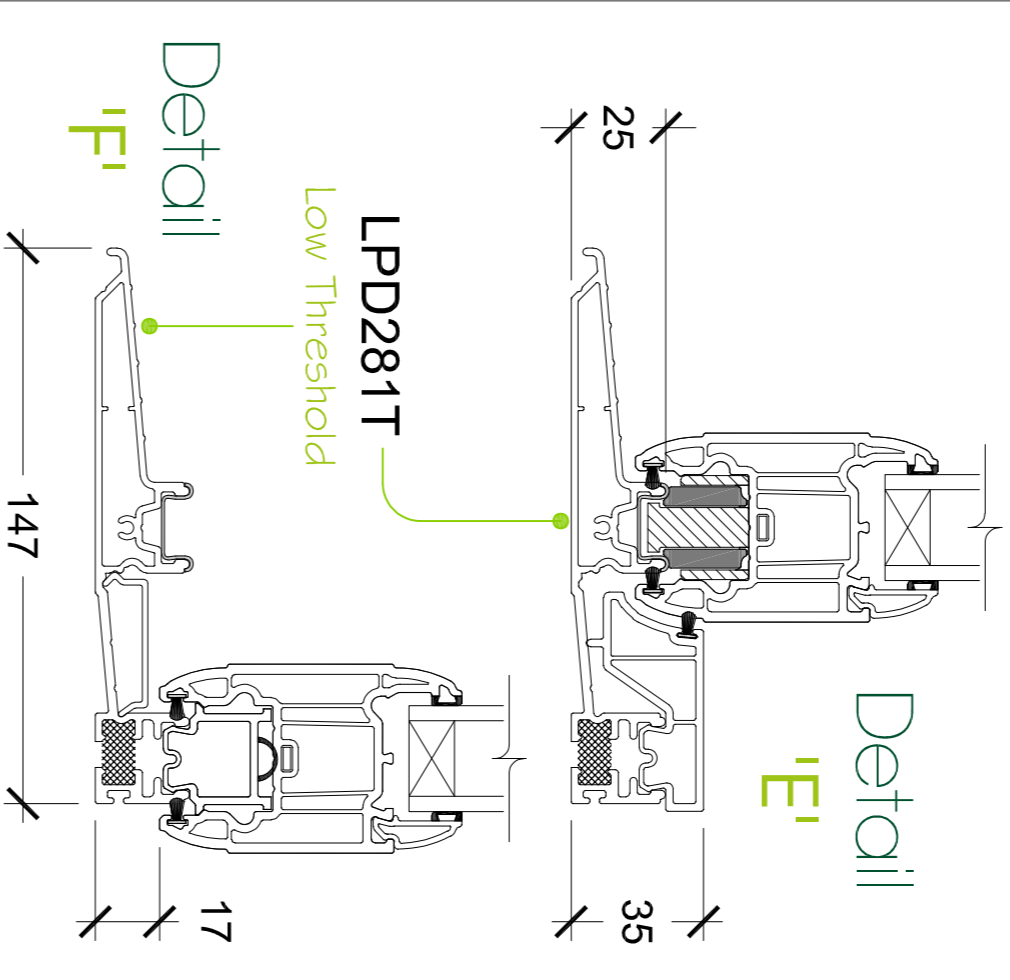
Overall Sizes (Outer Frame)
Minimum Width 1600mm
Maximum Width 2950mm
Clear Opening Formula = (W/2)-218



Optional Midrail



Optional Threshold Details



Additional Enhancements