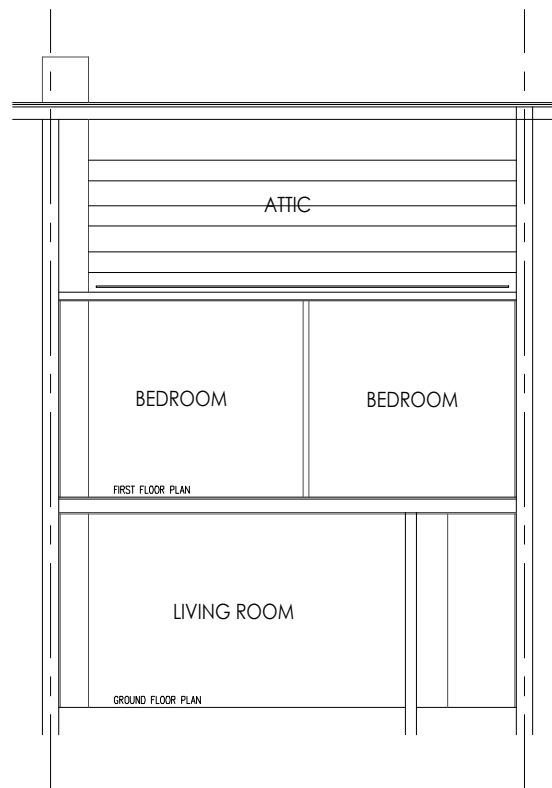
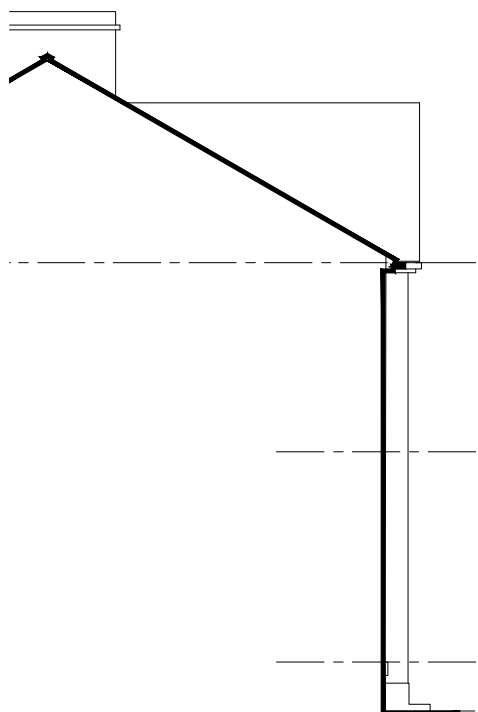


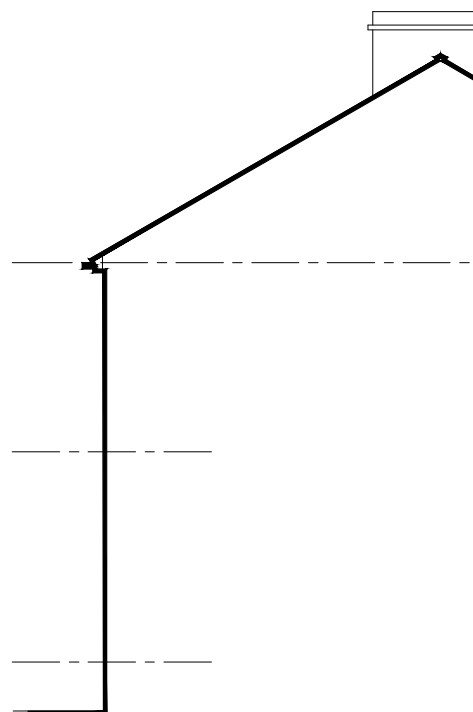
SECTION A-A.



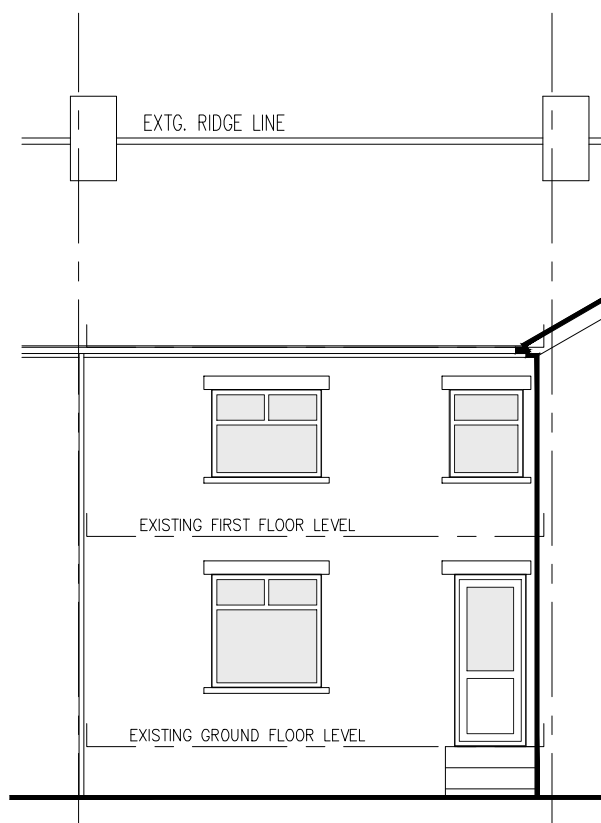
SECTION B-B.



SIDE ELEVATION.



SIDE ELEVATION.



REAR ELEVATION.

## LOCAL AUTHORITY SUBMISSION

### NOTES

This drawing is the property of SKP Architecture. copyright is reserved by them and the drawing is issued on the condition that it is not copied, reproduced, retained, or disclosed to any unauthorised person, either wholly or in part, without the consent in writing of SKP Architecture.

This drawing has been prepared for obtaining local authority decisions only and are not construction drawings.

All work to be carried out in strict accordance with the recommendations of the manufacturer / supplier.

This drawing to be read in strict accordance of the approved building regulations.

All dimension are to site check before commencement of any work on site and any discrepancies to be notified to SKP Architecture.

DO NOT SCALE OF THIS DRAWING.

Electrical and heating details are to be determined on site by owner.

Contractor responsible for finding location of all services & gaining all approvals from statutory bodies for redirection.

Conditional approval required for new loading on existing elements, contractor to expose footings, lintels etc. for approval by local authority.

All works to be carried out in accordance with the PARTY WALL Etc ACT 1995.

All electrical work (design, installation & testing.) to comply with part 'p' of approved documents & carried out by competent electrical contractor (NICEIC, ECA OR NAPIT approved) and in accordance with B.S. 7671.

All work to be carried out in accordance with CDM regulations 2015, client responsible for instructing Principal contractor who will take overall control of Health and Safety on site.

SURVEY AS EXISTING - ELEVATIONS

PROPOSED LOFT CONVERSION WITH DORMER WINDOW TO REAR

At  
8 ALEXANDER SQUARE,  
CLAYTON, BRADFORD.  
BD14 6QU For  
MR & MRS BARROWS

**SKP ARCHITECTURE**

07951 649 233  
01274 488 893  
simon.paxford@hotmail.co.uk  
skparchitecture.co.uk

39 North Bank Road  
Bingley  
West Yorkshire  
BD16 1UH

Date: NOV2023

Drawing No: 23/1046-03

Scale: 1:100@A3

Revision: -