



Subgero Limited
 Herz House, Unit B21
 Owen Road
 Diss
 Norfolk, IP22 4ER



To:

Project Site location: Wilby Barns, Wilby Manor, Wooten Green, Eye, IP21 5LB
Application Reference: DC/21/04313
Applicant Name: Subgero Ltd
Office Contact Details: Louise Catchpole – Business Operations Administrator



Site Contact Details: Jason Banham- Site Manager



Dear Sirs,

LISTED BUILDING CONSENT APPLICATION CONDITIONS - NOTIFICATION OF ACTION

In respect of the application particulars and plans for the Wilby Barns project, please find below details in relation to **CONDITION 10: AGREEMENT OF PROPOSED RAINWATER GOODS.**

<p>Planning Condition:</p>	<p>Prior to the installation of any new rainwater goods, the manufacturers details of the proposed rainwater goods shall be submitted to and approved, in writing, by the Local Planning Authority. Such materials as may be agreed shall be those used in the development and fully applied prior to the first occupation/use.</p> <p>Reason - To secure an orderly and well designed finish sympathetic to the character of the existing building(s) and in the interests of visual amenity and the character and appearance of the area.</p>
<p>Project Action/Response:</p>	<p>Approval is politely requested for rainwater goods ahead of installation.</p> <p>We propose to use the <i>Lindab Roof Drainage System (Lindab Rainline)</i>. An image of this system in our chosen colour (black) is shown in Appendix 1 to this document.</p>

Registered office: 7 Kings Court, Newcomen Way, Severalls Business Park,

Colchester, CO4 9RA

VAT Registration Number: 439273180

	A web link to product system information pages containing full technical specification information is shown in Appendix 2. A product brochure is provided as Appendix 3.
Reason:	We have chosen this system for its good-quality material and sympathetic aesthetic to support the character and appearance of the property and area.
Additional Documentation:	<ul style="list-style-type: none">• Appendix 1 – image of guttering system in colour black.• Appendix 2 – link to web pages for further technical information.• Appendix 3 – product brochure.
Timeline:	Ahead of mid-January installation.

We look forward to your response. Please do not hesitate to get in touch if you have any questions in relation to the above proposed action, or should you wish to arrange a site visit.

Yours faithfully,



Louise Catchpole

Business Operations Administrator



Appendix 1



Registered office: 7 Kings Court, Newcomen Way, Severalls Business Park,

Colchester, CO4 9RA

VAT Registration Number: 439273180

Appendix 2

Website: www.lindab.com

<https://www.lindab.com/Catalog/building-products/rainwater-systems/gutter/gutter-half-round/r/?sort=popularity&display=16&page=1>

Registered office: 7 Kings Court, Newcomen Way, Severalls Business Park,

Colchester, CO4 9RA

VAT Registration Number: 439273180



Lindab Roof Drainage System

Lindab Rainline™

A solution that is as right as rain





The colourful system

Lindab Rainline roof drainage system is available in thirteen distinct colours. Mixing and matching these is easy. Either discreetly complementing the overall colour scheme of the house, or boldly creating accents of colour.

Why not choose dark red drainpipes for a white stucco facade?
Or mount exclusive silver metallic pipes on a grey stone wall.
Or why not mix tile-red gutters with white pipes to match the respective colours of roof and woodwork?

Any facelift is possible. The choice is yours.

Lindab Rainline in a nutshell

- durable and flexible
- a complete range of components
- easy to install
- snap-in fitting
- a variety of colours



Lindab's building components in sheet metal are quality products designed, developed and produced in Sweden. Each product has been developed by engineers with industry-leading knowledge of design and product development, and holds comprehensive building-technical innovation value.

Lindab®
Swedish
steel
design



The superior quality system

Lindab Rainline is the roof drainage system that offers the highest quality when it comes to combining durability, flexibility and ease of installation.

It has been developed by professionals for professionals. And, over time, it has become their top choice. Not least because Lindab Rainline's hard wearing properties ensure decades of performance without rusting or leaking.

Strong as steel

Steel is strong, versatile and durable, but it needs to be processed professionally. Lindab buys more than 200,000 tonnes of sheet steel every year (equivalent to what is needed to manufacture approximately half a million cars). So we know what we are doing.

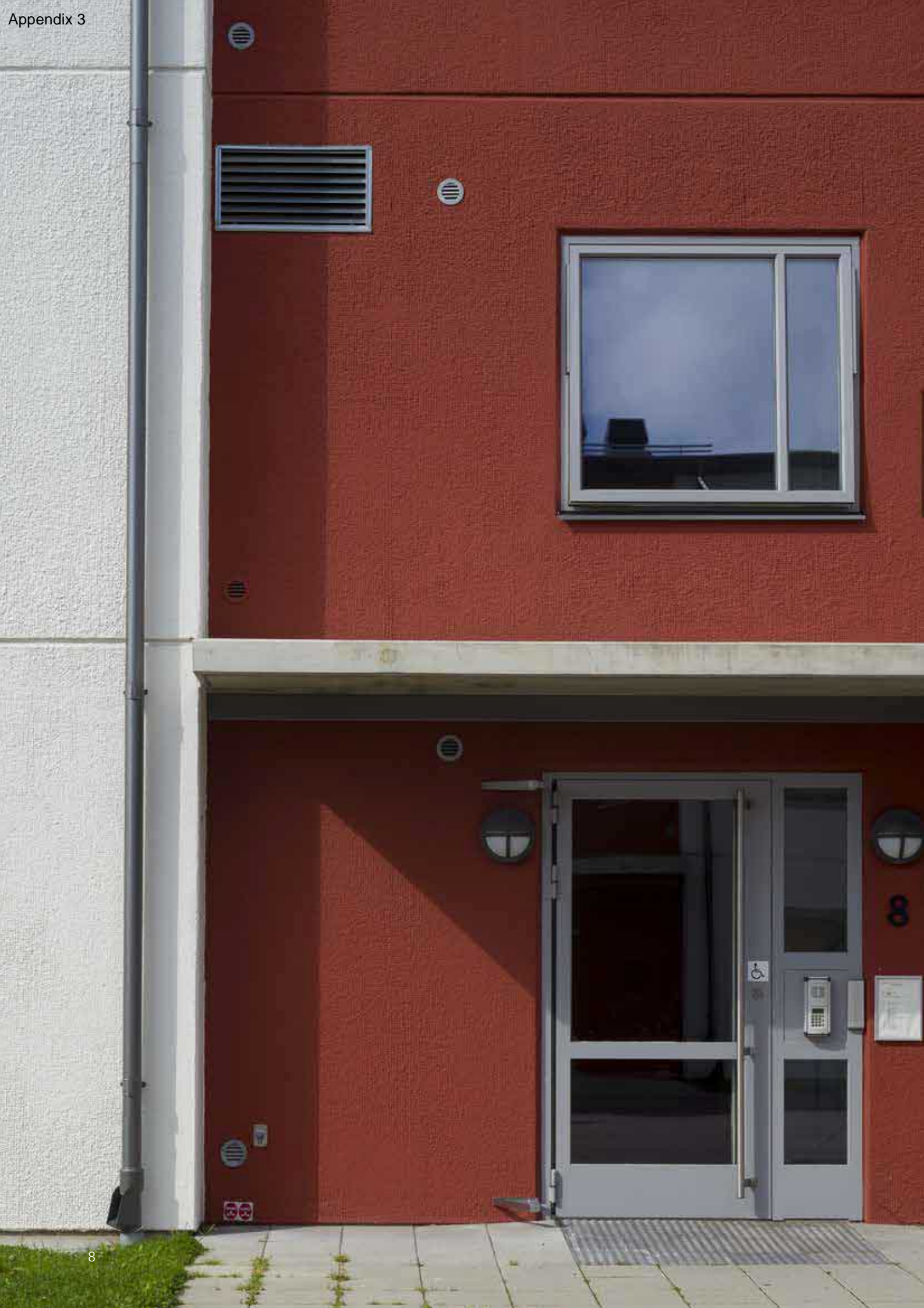
Steel made to last

Steel is the ultimate material for roof drainage systems. It is lighter than cast iron, offers minimal thermal movement compared to plastic (which moves, cracks and leaks) and is inexpensive compared to cast aluminium.

Galvanized steel sheeting

To provide durable rust proofing the steel is coated with 275g zinc per m². The galvanized coating is naturally self-healing, any scratch or cut being automatically sealed by zinc ions, which wander to re-coat the uncovered steel.





The smart system

Thanks to its smart design, Lindab Rainline has become the preferred roof drainage system for many tinsmiths. Its unique hand-in-glove fit and overall quality guarantee quick installation and high functionality for decades to come.

With gutters and downpipes in several dimensions and an extensive range of components, the system offers solutions for any type of building, large or small, classic or contemporary. In fact, once a Lindab Rainline system has been mounted, there will be no reason to replace it –unless you want to facelift your house with a new colour.

Superior snap-in fitting

Every component of the Lindab Rainline system has been designed and manufactured to the highest standards and smallest tolerances. The result is a system where every part snaps into the next to give a perfect fit.

Complies with existing standards

Lindab Rainline is the result of long experience gained by tinsmiths and craftsmen in numerous countries. It complies with existing European standards.

Good advice for architects and engineers

Along with the hardware components, Lindab Rainline offers an abundance of documentation, advice and software tools for installers as well as architects, engineers and consultants.





Solutions that enhance the overall result



Smart bracket
This bracket can be adjusted to match any roof pitch. Strong, yet extremely easy to fit.



Stop ends
These ends are self-sealing with an EPDM tube. They are fully reversible, i.e. same unit fits on both left and right end of a gutter. And they are easily mounted with just a single, firm knock.



Pipe holder
This holder is made from only one piece of sheet steel and mounts a pipe with one firm grip. There are no accessories to be lost or mounted askew.

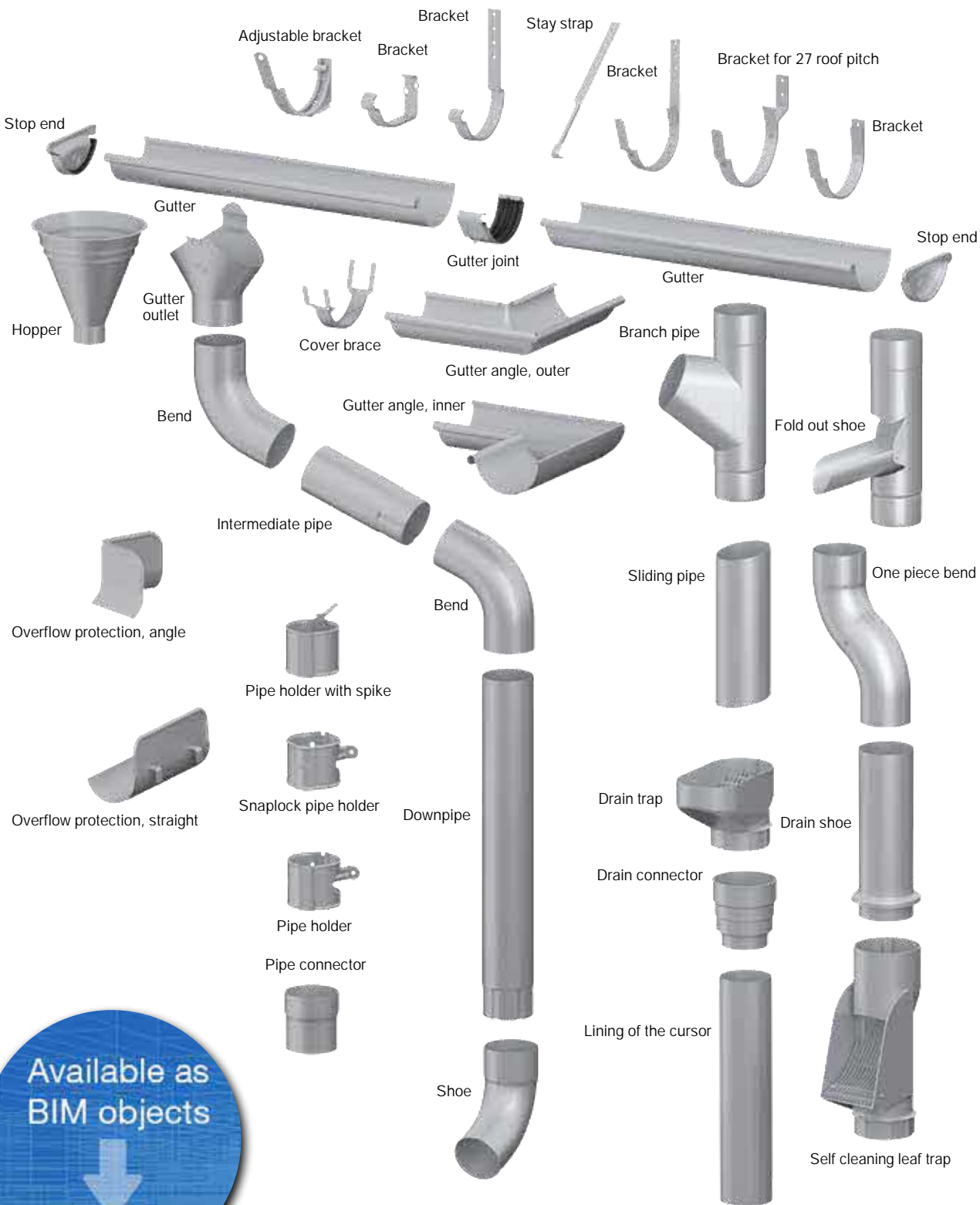


Gutter joint
These joints are easy to fit, creating very firm, durable joints. The joints are guaranteed leak-proof with a long-lasting EPDM sealing.



Gutter outlet
This versatile gutter outlet has a one-grip, snap-on mounting that ensures a perfect fit to the semi-circular shape of the gutter. Can be mounted after the gutter is in place.

A complete range of components



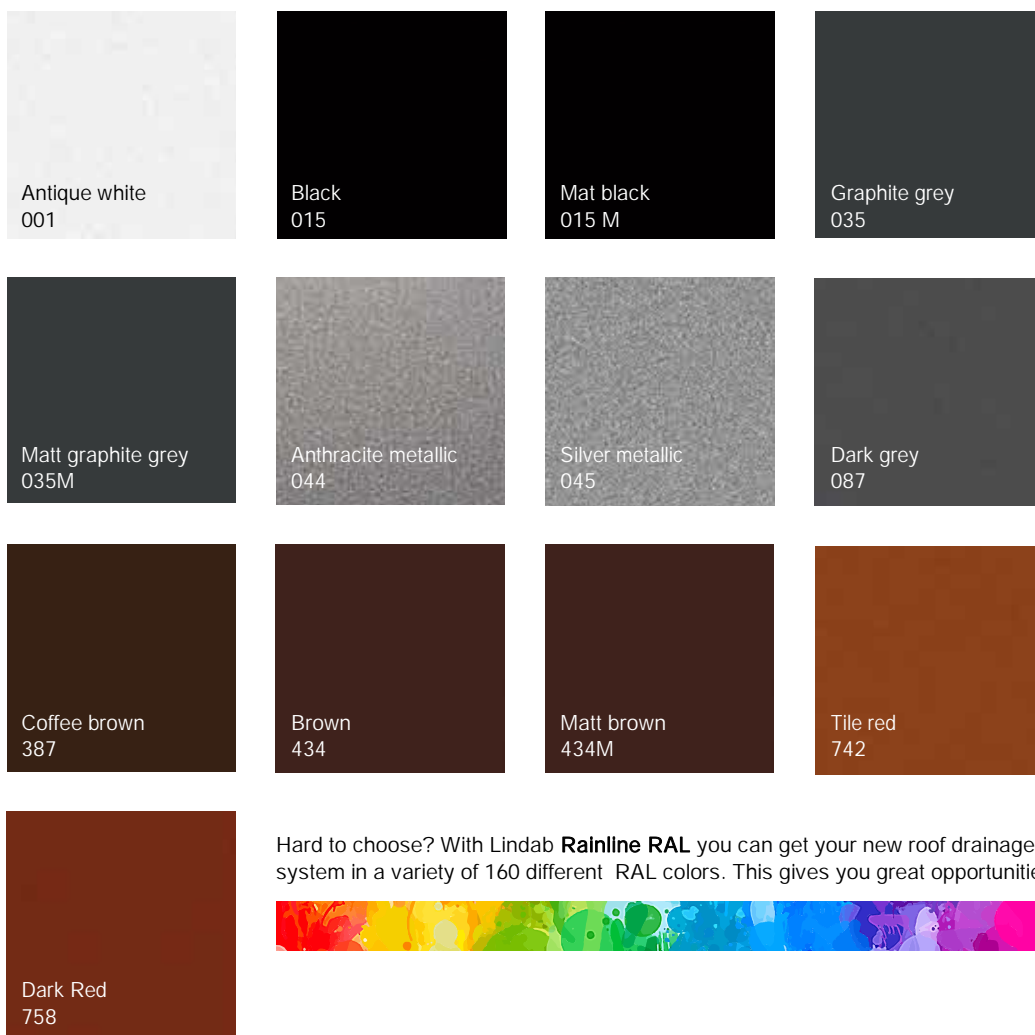


Typetext here

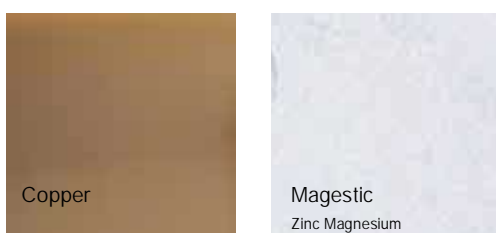
Many different colours

The Lindab Rainline system is available in various colours. All are weatherproofed with extra durable paint, with an attractive, elegant finish.

Extra durable high-build polyester paint in thirteen different colours.



In addition to our coated materials we also have copper and Magestic.





Most of us spend the majority of our time indoors. Indoor climate is crucial to how we feel, how productive we are and if we stay healthy.

We at Lindab have therefore made it our most important objective to contribute to an indoor climate that improves people's lives. We do this by developing energy-efficient ventilation solutions and durable building products. We also aim to contribute to a better climate for our planet by working in a way that is sustainable for both people and the environment.

[Lindab](#) | [For a better climate](#)