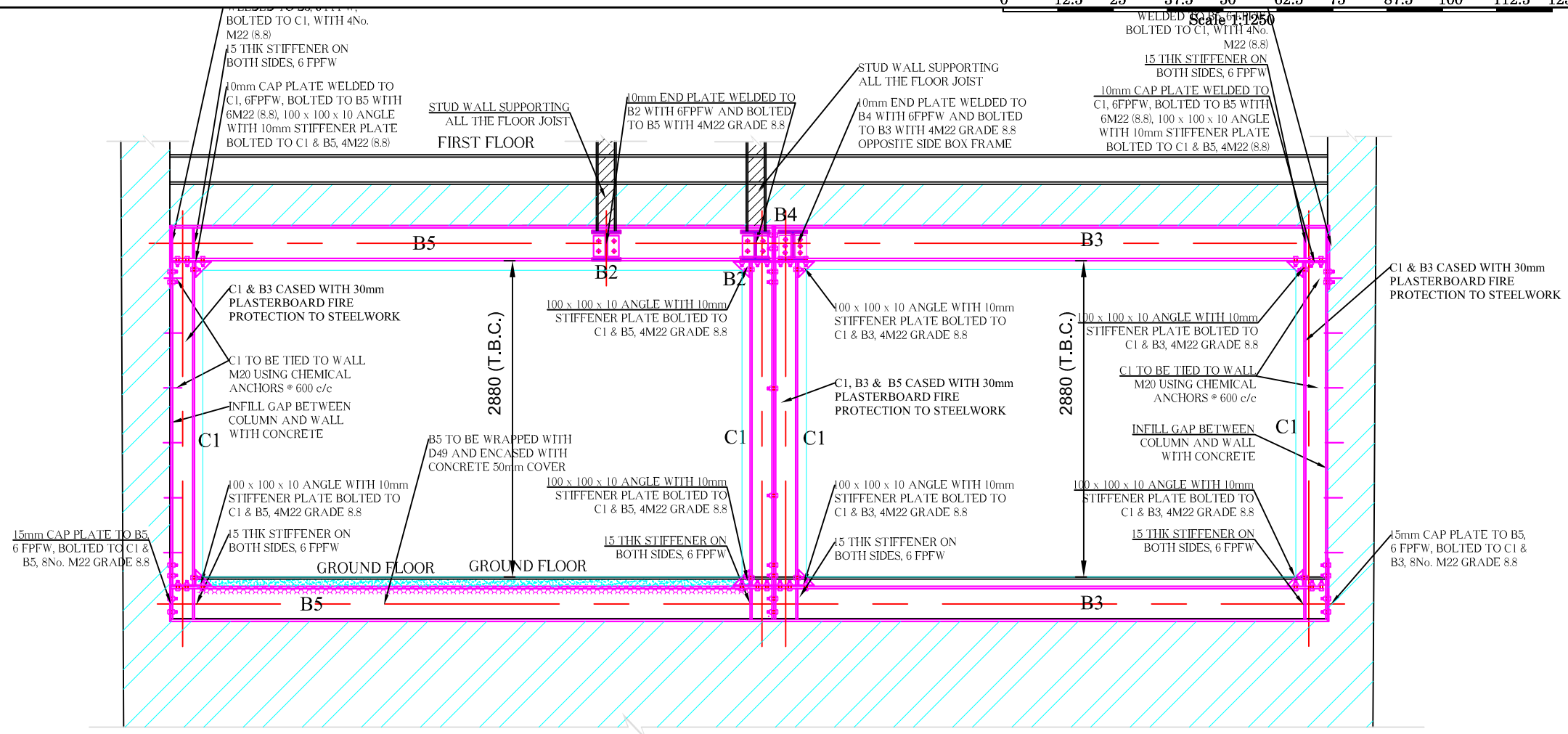
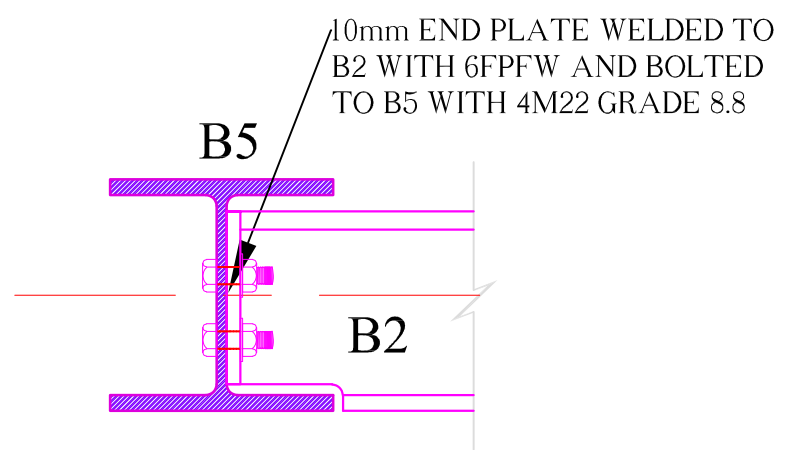


**Steel Specification:**

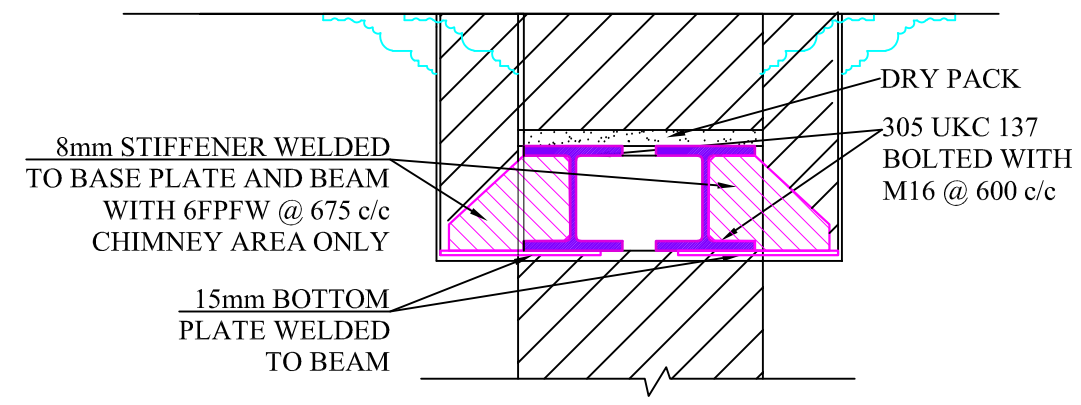
- B1 2No. 254 UKC 132
- B2 2No. 254 UKC 132
- B3 4No. 305 UKC 137
- B4 203 UKC 71
- B5 4No. 305 UKC 137
- B6 305 UKC 52
- C1 8No. 203 UKC 60



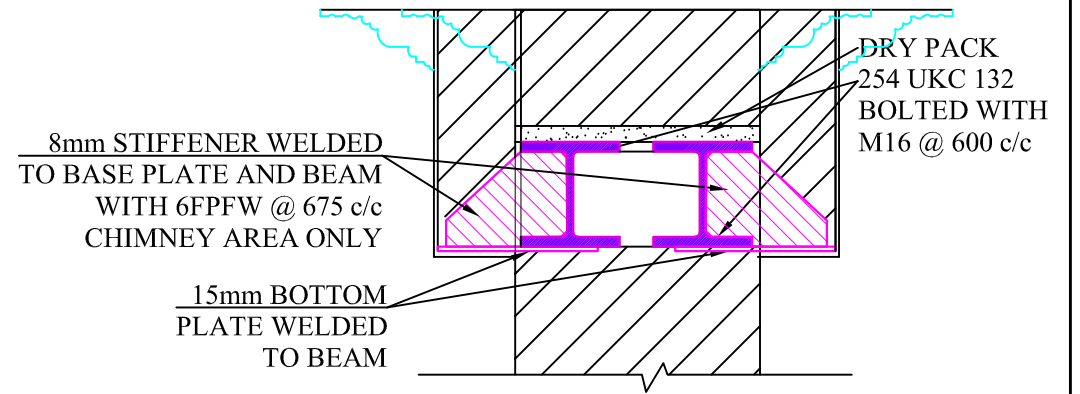
**SECTION B - B**



**BEAM CONNECTION DETAIL**



**SECTION C - C**



**SECTION A - A**

Rev.	Date	Description	DWN.	CHK.	<p><b>j e architectural design ltd</b>                  Architectural &amp; Structural Designers                  1 Lytton Close                  Northolt Village, Northolt                  Middlesex UB5 5BU                  T: 020 8845 0795, M: 07930 557913, e:angelo9@aol.com</p>	<p>Job Title: <b>Best Western Plus, Dover Marina Hotel &amp; Spa, Dover Waterfront, Waterloo Crescent, Dover, Kent CT17 8BP</b></p> <p>Drawing Title: <b>Section A - A, B - B &amp; C - C</b></p>	<p>Designed by: <b>Angelo E</b></p> <p>Client:</p>	<p>Date: <b>Nov. 2023</b></p> <p>Drawing No: <b>3439/AS/09</b></p>	<p>Scale: <b>1:50@A3</b></p>	<p>Rev. <b>C</b></p>