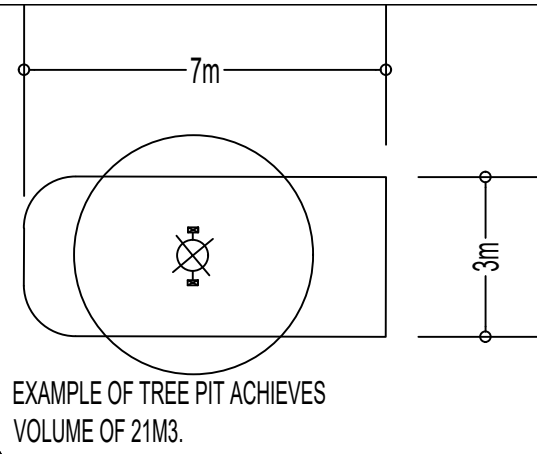


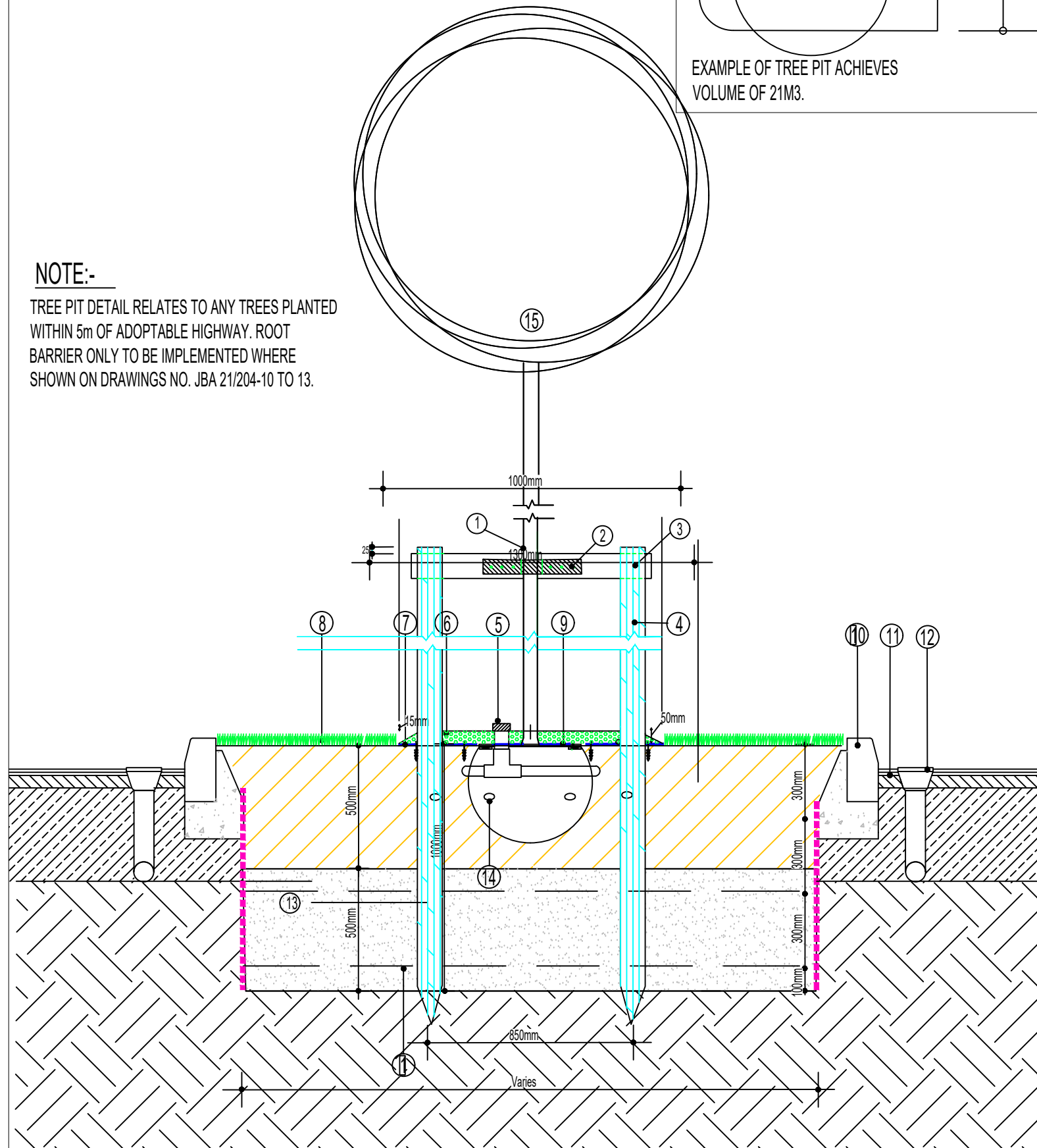
# TREE PIT IN SOFT LANDSCAPE

## SCALE 1:20



### NOTE:-

TREE PIT DETAIL RELATES TO ANY TREES PLANTED WITHIN 5m OF ADOPTABLE HIGHWAY. ROOT BARRIER ONLY TO BE IMPLEMENTED WHERE SHOWN ON DRAWINGS NO. JBA 21/204-10 TO 13.



### NOTES

- STANDARD TREE WITH LEADER. FOR SPECIES AND SPECIFICATION REFER TO SOFTWORKS PLAN.
- TIE AND SPACING DEVICE NAILED TO CROSS BRACE WITH GALVANISED NAILS.
- CROSS BRACE APPRX 650mm LONG, 100mm DIAMETER, HALF-ROUND, SECURED TO BOTH STAKES.
- TANALITH E TREATED, PEELED LARCH TIMBER STAKES, 2No, 2400 x 100mm DIAMETER, TO BE SECURELY DRIVEN INTO FIRM SUBGRADE, WITH HALF ROUND CROSS BRACE SECURELY NAILED TO THE STAKES. ENSURE IT IS SUFFICIENTLY AWAY FROM ROOTBALL TO PREVENT ROOT DAMAGE.
- MONA RELIEF GRANDE ARIA PERFORATED IRRIGATION WATERING PIPE, AVAILABLE FROM GREEN-TECH TEL: 01423 332100 OR SIMILAR AND APPROVED. TO BE POSITIONED AROUND TOP OF ROOTBALL, WITH OPEN END AS CLOSE AS POSSIBLE TO TRUNK.
- EDWARDS OF BRANDON BARK MULCH (TEL. 01842 813555) TO A DEPTH OF 50mm
- BIODEGRADABLE MULCH MAT TO BE APPLIED TO ENTIRE SOFT LANDSCAPE AREA. TO BE LAID IN ACCORDANCE WITH INSET DETAIL 1: SHRUB BED WITH COURSE WOOD CHIP MULCH OVER SUITABLE BIODEGRADABLE SHEET MULCH ON DRAWING JBA 14/192-01
- SUPPLY PLANTING AS PER SPECIFICATION.
- UPSTAND KERB TO ENGINEERS SPECIFICATIONS.
- PEDESTRIAN AREA BUILD UP AND EDGING TO ARCHITECT/ENGINEERS SPECIFICATIONS.
- IRRIGATION AND AERATION SYSTEM. TYPE: MONA RELIEF PIAZZA WITH PERFORATED PIPE 2m DIAMETER. ENSURE INLET IS FLUSH WITH FINISHED PAVED LEVEL. AVAILABLE FROM GREEN-TECH TEL: 01423 332100.
- SIDES OF TREE PIT TO BE BROKEN UP AND BACKFILLED MAX 500mm DEPTH OF TOPSOIL TO BS 3882:2015. THE REST OF THE TREE PIT TO BE BACKFILLED WITH "AMENITY TREE SOIL" SUPPLIED BY GREEN-TECH TEL: 01423 332100. TREE SOIL TO BE BACKFILLED IN 300mm LAYERS, EACH COMPACTED TO 3.0 MEGAPASCALS ACHIEVING 78-82% CBR RATING AND EACH LAYER TESTED WITH PENETROMETER OR SIMILAR APPROVED APARATUS. ALL IN ACCORDANCE WITH SUPPLIERS INSTRUCTIONS.
- APPLY SLOW RELEASE FERTILIZER AT RATE OF NO. 7 SIERRABLEN FLORA 15G TABLETS 15-9-9 PER TREE, APPROXIMATELY 700 - 1000MM DIAMETER AROUND THE ROOTBALL AND HALFWAY DOWN THE ROOTBALL, AVAILABLE FROM AMENITY LAND SOLUTIONS, CONTACT TEL. 01952 641949, ALL TO THE MANUFACTURERS INSTRUCTIONS.
- PROPOSED TREE (REFER TO PLANT SCHEDULES ON MAIN DRAWINGS FOR SPECIES).

### GENERAL NOTES:-

- ENSURE IMPORTED SOILS ARE COMPLIANT WITH BS3882:2015. TOPSOIL MUST ALSO BE HANDLED AND STORED AS PER THE BS.
- HEAVY CLAY SUBSOIL TO BE AMELIORATED BEFORE BACKFILLING DEEPER LAYERS
- ALL VEGETATIVE MATERIAL, LITTER AND OTHER DEBRIS IS TO BE REMOVED AND SIDES OF THE TREE PIT MUST BE FORKED OVER BEFORE BACKFILLING WITH SOIL.
- WATER IN WITH 50 LITERS OF WATER PER TREE WITHIN FOUR HOURS OF PLANTING.
- DO NOT SCALE FROM THIS DRAWING.
- ALL DIMENSIONS ARE IN MILLIMETERS.
- ALL DIMENSIONS ARE TO BE CHECKED ON SITE.
- (C)JAMES BLAKE ASSOCIATES LTD 2023

A	05.09.2023	PB	UPDATED FOR PARCEL 5-7			
REV.	DATE	INITIALS	DETAILS			
CLIENT TAYLOR WIMPEY SOUTH WEST (BRISTOL)			DWG. TITLE TREE PIT IN SOFT LANDSCAPE BETWEEN CAR PARKING SPACES			
SITE CRIBBS CAUSEWAY, BRISTOL						
PURPOSE OF ISSUE PLANNING						
DRG BY PB	CHECKED JBA	AUTH'D JBA	SCALE 1:20@A3	DATE JULY 2022	DWG NO. JBA 21/205 DT2	REV. A

# JAMES BLAKE

## ASSOCIATES

The Black Barn, Hall Road, Lavenham, Suffolk, CO10 9QX  
Tel: (01787) 248216 Fax: (01787) 247264  
jamesblake@jba-landmarc.com www.jba-landmarc.com

LANDSCAPE ARCHITECTURE o ARBORICULTURE o ECOLOGY