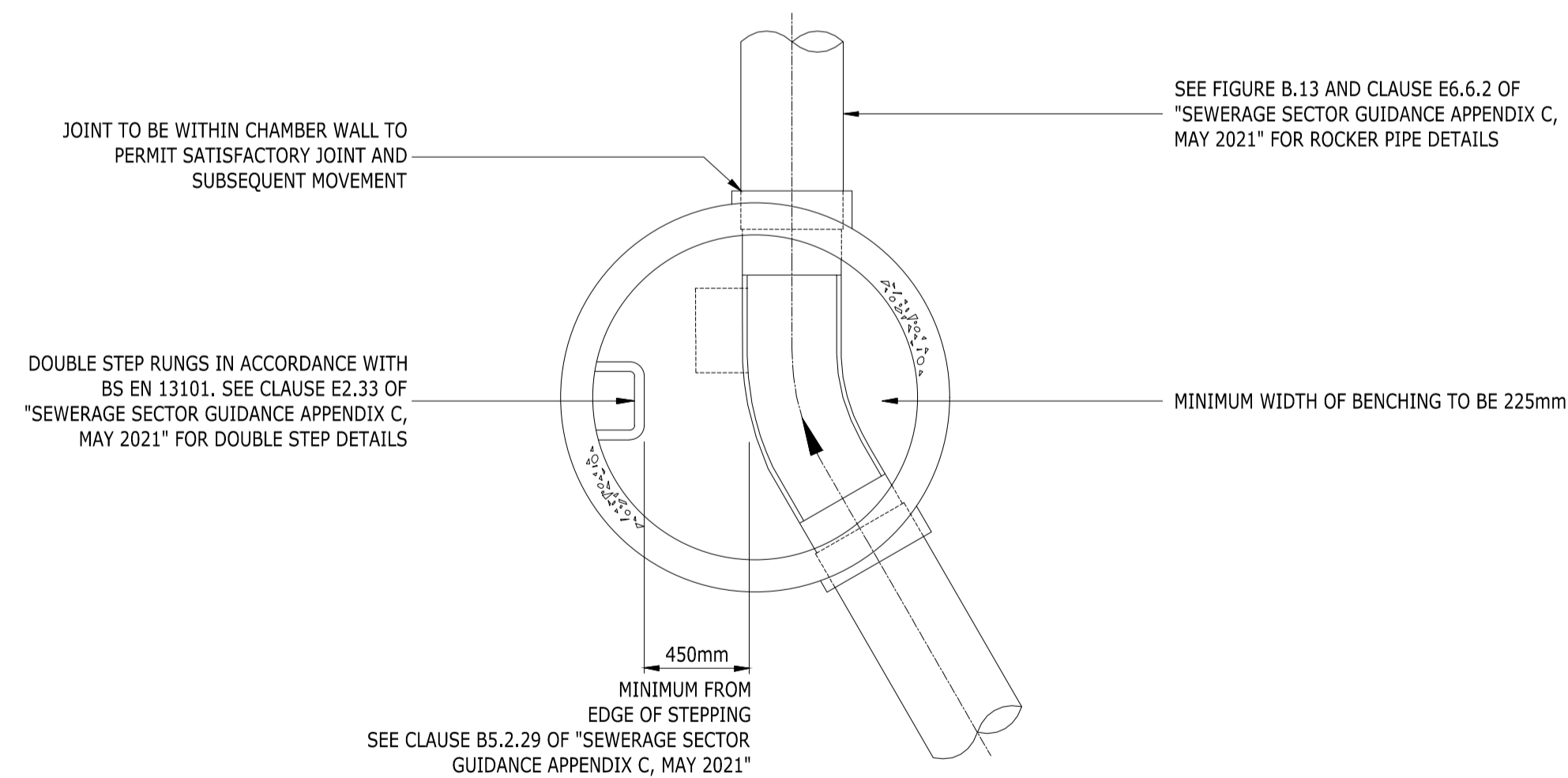
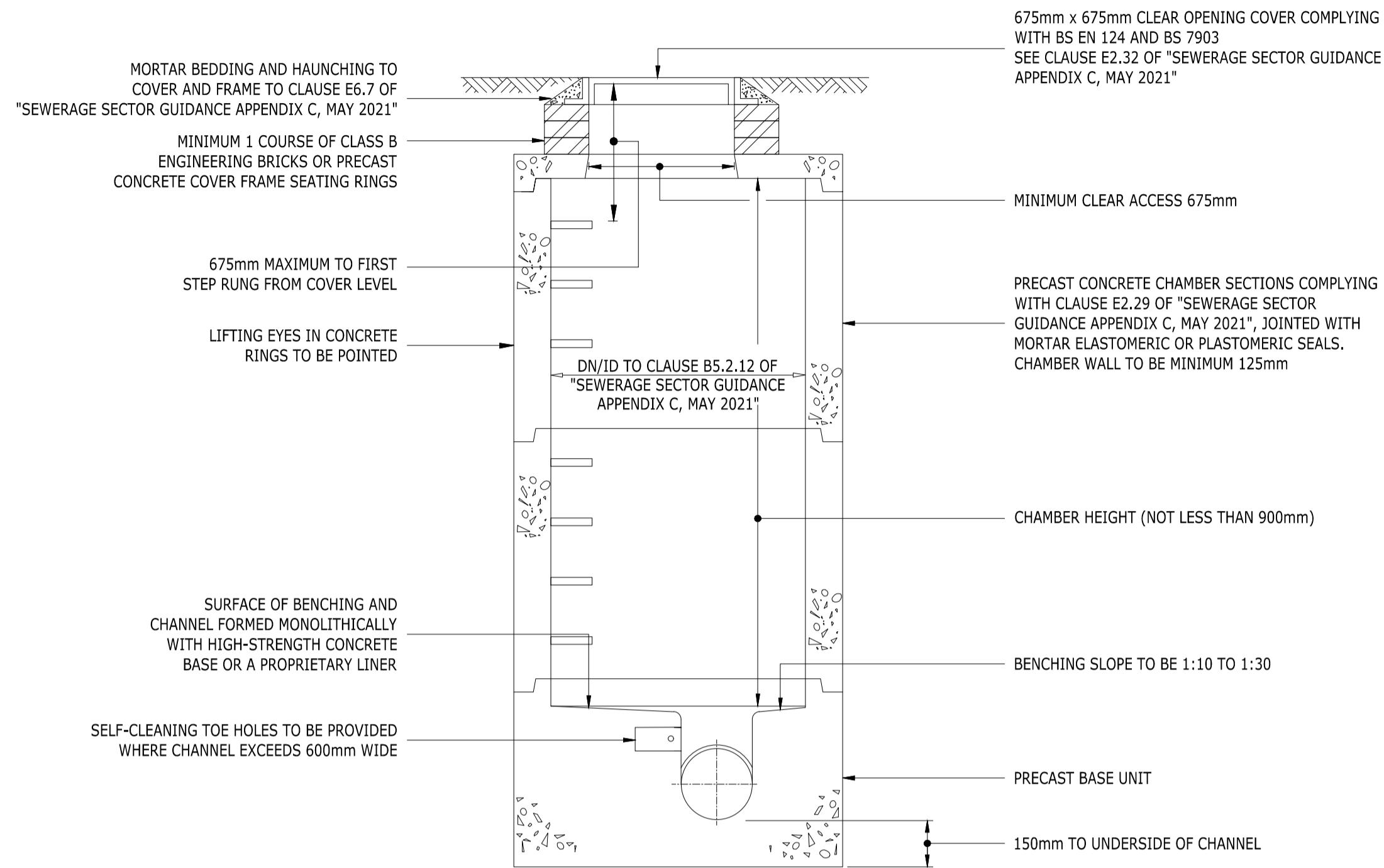
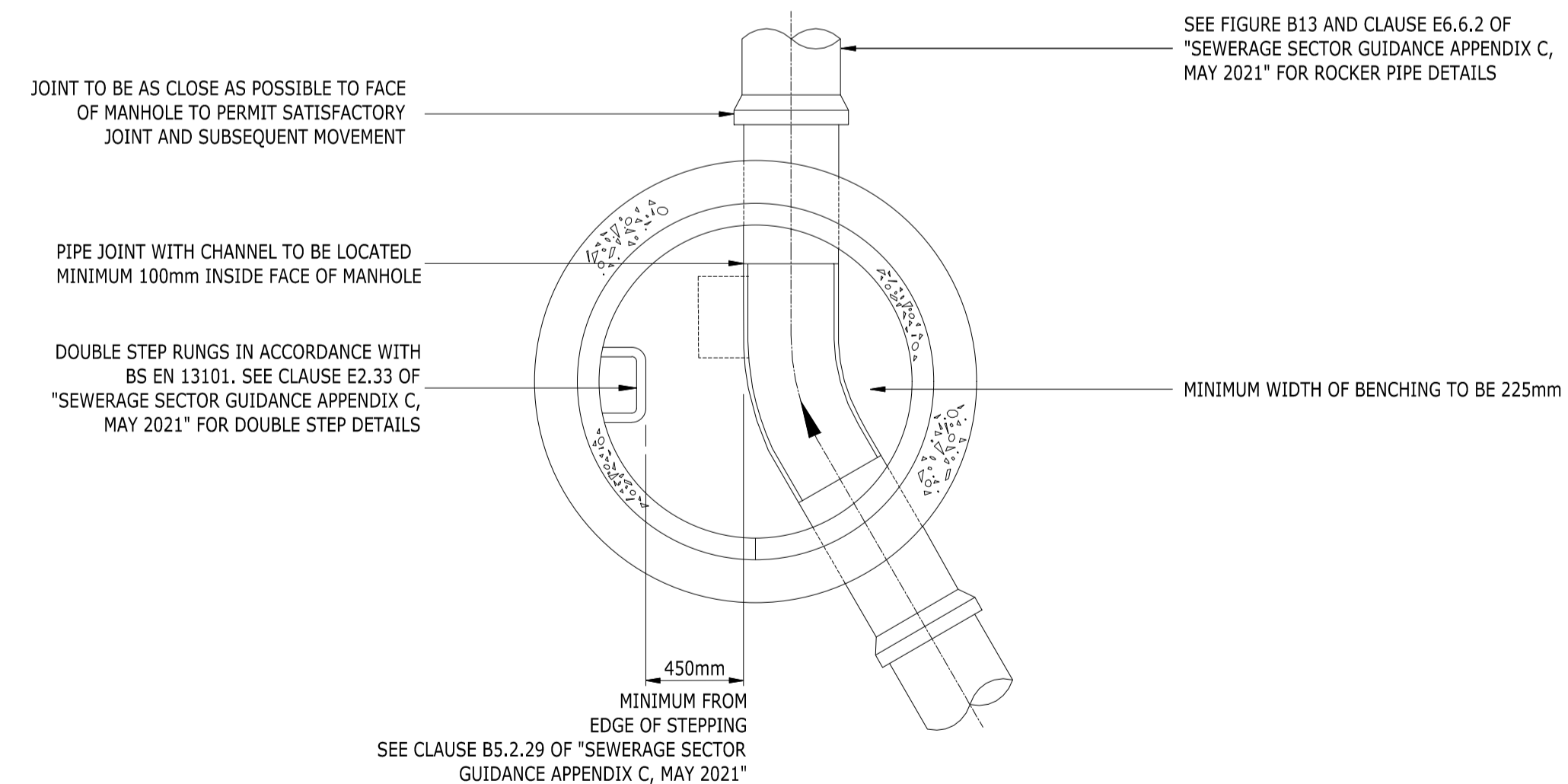
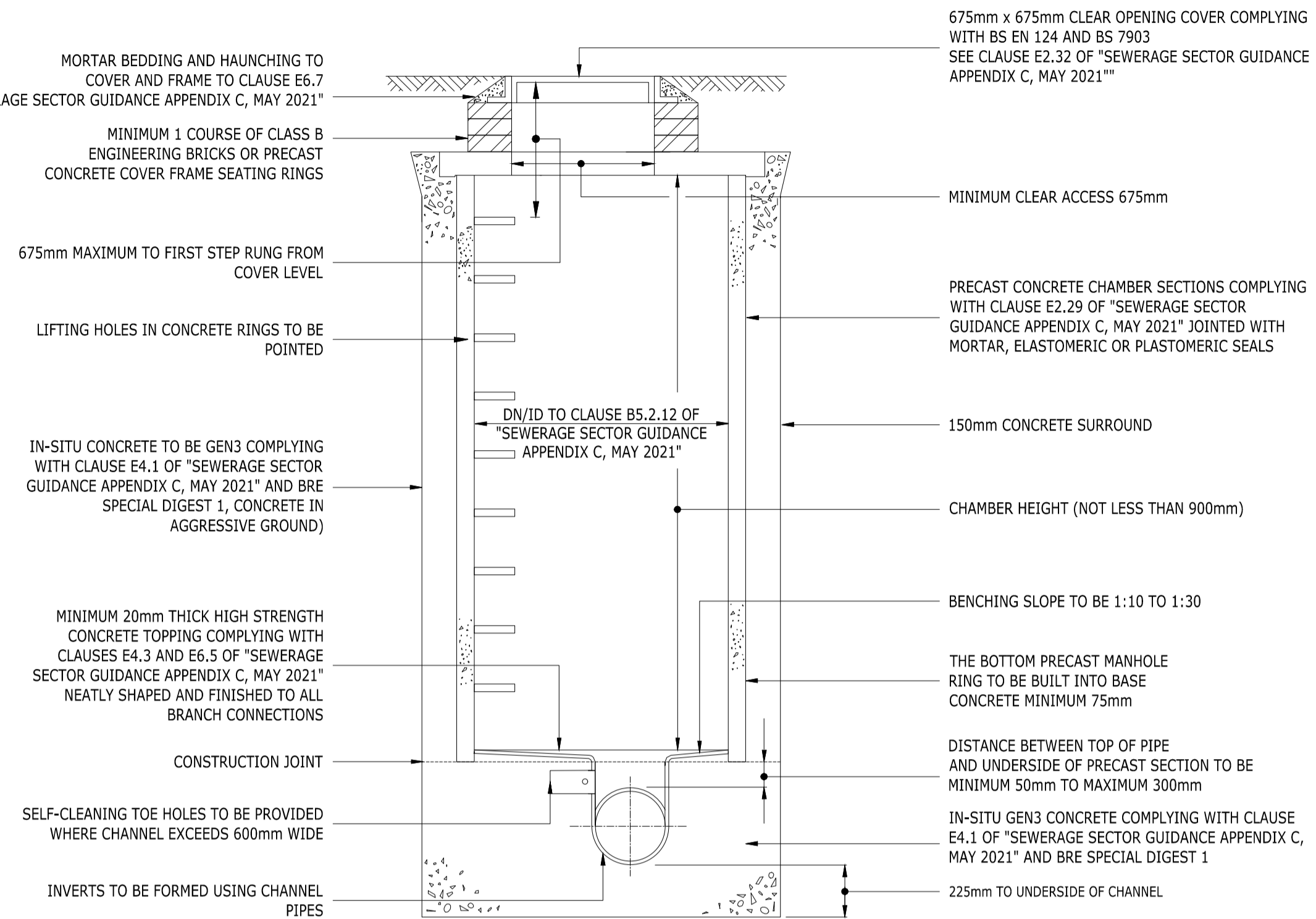


TYPICAL MANHOLE DETAIL - TYPE B
 FIGURE B 9 OF SEWERAGE SECTOR GUIDANCE APPENDIX C, JUNE 2022
 DEPTH FROM COVER LEVEL TO SOFFIT OF PIPE 1.5m TO 3m
 RIGID MATERIAL CONSTRUCTION WITHOUT CONCRETE SURROUND



TYPICAL MANHOLE DETAIL - TYPE B
 FIGURE B 10 OF SEWERAGE SECTOR GUIDANCE APPENDIX C, JUNE 2022
 DEPTH FROM COVER LEVEL TO SOFFIT OF PIPE 1.5m TO 3m
 ALTERNATIVE RIGID MATERIAL CONSTRUCTION WITH CONCRETE SURROUND



BOX NOTE 1 - ALL DRAINAGE WORKS INCLUDING THOSE TO BE OFFERED FOR ADOPTION SHALL COMPLY WITH THE REQUIREMENTS OF "SEWERAGE SECTOR GUIDANCE APPENDIX C, MAY 2021" AND ARE SUBJECT TO APPROVAL OF WESSEX WATER.

BOX NOTE 2: ALL PIPES ENTERING OR LEAVING MANHOLES SHALL HAVE A FLEXIBLE JOINT WITHIN 600mm OF THE INSIDE FACE OF THE MANHOLE.

- GENERAL NOTES:
- THIS DRAWING SHOULD BE REVIEWED TOGETHER WITH ALL OTHER DRAWINGS, ENGINEERING DETAILS, SPECIFICATIONS, AND ANY RELEVANT SPECIALIST DOCUMENTS. ANY INCONSISTENCIES OR DISCREPANCIES SHOULD BE REPORTED TO ARDENT CONSULTING ENGINEERS.
 - DO NOT SCALE FROM THIS DRAWING. WORK FROM FIGURED DIMENSIONS ONLY.
 - ALL DIMENSIONS SHOWN ON THIS DRAWING ARE IN MILLIMETRES UNLESS OTHERWISE STATED.
 - PRIOR TO COMMENCING WORK ON THE SITE, THE CONTRACTOR IS RESPONSIBLE FOR VERIFYING AND CONFIRMING ALL BUILDING AND SITE DIMENSIONS AND LEVELS, INCLUDING EXISTING SEWER INVERT LEVELS. THE CONTRACTOR MUST COMPLY WITH CURRENT BUILDING LEGISLATION, BRITISH STANDARDS, BUILDING REGULATIONS, AND OTHER RELEVANT REQUIREMENTS.
 - NO DEVIATION FROM THE DETAILS SHOWN ON THIS DRAWING IS PERMITTED WITHOUT PRIOR PERMISSION FROM THE ENGINEER.
 - ALL MATERIALS AND WORKMANSHIP SHALL COMPLY FULLY WITH THE MANUAL OF CONTRACT DOCUMENTS FOR HIGHWAY WORKS, VOLUME ONE, (MCHW1) SPECIFICATION FOR HIGHWAY WORKS.
 - THE CONTRACTOR SHALL UNDERTAKE SUCH MATERIALS TESTING AS INDICATED IN THE SPECIFICATIONS AND SHALL INCLUDE THE COST OF TESTING IN THE TENDER.
 - THE CONTRACTOR MUST SURVEY AND VERIFY THE LOCATION OF EXISTING SERVICES AND STATUTORY UNDERGROUND APPARATUS THAT INTERSECT PROPOSED EXCAVATIONS BEFORE BEGINNING ANY WORK.
 - WHERE NECESSARY, ALL EXCAVATED MATERIAL SHALL BE DISPOSED OF AT AN APPROVED TIP OFF-SITE.
 - THE PUBLIC HIGHWAY AND WORKS WILL BE KEPT CLEAN AND FREE OF DEBRIS BY USE OF WHEEL WASHING FACILITIES AND ROAD SWEEPERS TO THE COUNCIL'S SATISFACTION.
 - ALL SETTING OUT, COVERS AND BOX COVERS SHALL BE AGREED ON-SITE WITH THE ENGINEER, PRIOR TO THE COMMENCEMENT OF THE WORKS.
 - THIS DRAWING IS PRESENTED IN SCHEMATIC FORM TO PROVIDE CLARITY ONLY. DUE TO SITE CONDITIONS, PIPE RUNS AND MANHOLE LOCATIONS MAY DIFFER ON-SITE.

- CONSTRUCTION NOTES:
- ALL SOFT SPOTS AND VOIDS SHALL BE REMOVED BEFORE CONSTRUCTION AND REPLACED WITH SUITABLE FILL MATERIAL.
 - ROAD FORMATION TO BE IN ACCORDANCE WITH CLAUSE 616 AND COMPACTED IN ACCORDANCE WITH TABLE THE REQUIREMENTS OF 6/4 OF THE SPECIFICATION FOR HIGHWAY WORKS - SERIES 600 EARTHWORKS.
 - A RESIDUAL TRANSLATED TOTAL HERBICIDE WITH SOME CONTACT EFFECT, BUT NON-POISONOUS TO HUMAN BEINGS, ANIMALS AND INSECTS SHALL BE SPRAY APPLIED TO ALL FORMATIONS. THE PROPOSED HERBICIDE TO BE USED BY THE CONTRACTOR MUST FIRST OBTAIN ITS APPROVAL BY THE HIGHWAY AUTHORITY.
 - ALL CONCRETE AND CEMENT MORTAR MUST BE SULPHATE RESISTING TO BS 4021.
 - MINIMUM DEPTH OF 450mm CONSTRUCTION IS REQUIRED FOR NON-FROST SUSCEPTIBLE MATERIAL.
 - FOR ALL BITUMINOUS MATERIALS, TRANSPORTATION, LAYING, COMPACTION AND TYPE TESTING PROTOCOLS SHALL CONFORM TO BS 5948:7, 2010.
 - BOND COATS SHALL BE APPLIED BETWEEN BOUND LAYERS OF BITUMINOUS MATERIALS BY METRED MECHANICAL SPRAYING EQUIPMENT, SPRAY TANKER OR SPRAYING DEVICE INTEGRAL WITH THE PAVING MACHINE. BOND COATS SHALL HAVE BBA CERTIFICATION AND COMPLY WITH CLAUSE 503 OF MCHW1.

CDM NOTES:

THE ATTENTION OF THE CLIENT AND THE PRINCIPAL CONTRACTOR IS DRAWN TO THE FOLLOWING POTENTIAL RISKS IN CONJUNCTION WITH THE PROPOSED ON-SITE AND OFF-SITE WORKS AS DESIGNED FOR THIS PROJECT:

- WORKS IN THE VICINITY OF LIVE SERVICES WILL BE NECESSARY AND THE ADVICE OF ALL STATUTORY SERVICE COMPANIES MUST BE SOUGHT BEFORE ANY WORKS COMMENCE.
- WORKS WITHIN AND ADJUTING THE EXISTING HIGHWAY WILL ENTAIL TRAFFIC HAZARDS AND ALL APPROPRIATE SAFETY MEASURES INCLUDING BARRIERS, SIGNS AND LIGHTING MUST BE UNDERTAKEN TO THE APPROVAL OF THE LOCAL AUTHORITY, THE HIGHWAY AUTHORITY AND THE POLICE.
- HAZARDOUS MATERIALS INCLUDING CEMENT AND BITUMINOUS MATERIALS ARE SPECIFIED AND THE MANUFACTURER'S ADVICE ON SAFE HANDLING PROCEDURES MUST BE OBTAINED AND MADE CLEAR TO ALL OPERATIVES.
- THE CONTRACTOR WILL BE RESPONSIBLE FOR LOCATING ALL EXISTING SERVICES WITHIN THE VICINITY OF THE WORKS AND ENSURE THESE ARE PROTECTED THROUGHOUT THE DURATION OF THE WORKS. ALL UTILITY PLANT SHOULD BE CLEARLY MARKED ON THE GROUND PRIOR TO COMMENCEMENT OF THE WORKS.
- THE CONTRACTOR MUST ENSURE ALL WORKING AREAS ARE FULLY SECURE.
- REFER TO DESIGNER'S RISK ASSESSMENT DOCUMENT WITH REFERENCE XXXX

- ADOPTION NOTES:
- THE WORKS THAT ARE INTENDED TO BE ADOPTED THROUGH A SECTION 104 AGREEMENT MUST COMPLY WITH THE SEWER SECTOR GUIDANCE (JUNE 2022), RELEVANT APPENDICES AND MEET THE REQUIREMENTS OF THE DRAINAGE AUTHORITY.
 - ANY WORKS CARRIED OUT ON-SITE BEFORE RECEIVING TECHNICAL APPROVAL FOR SECTION 104 AND SECTION 38 AGREEMENTS (INCLUDING STREET LIGHTING APPROVAL) WILL BE ENTIRELY AT THE DEVELOPER'S RISK.
 - PRIOR TO THE COMMENCEMENT OF STREETLIGHT ERECTION, THE LOCAL AUTHORITY MUST APPROVE AND AGREE ON THE ON-SITE PEGGING OF STREETLIGHT POSITIONS.

FOR APPROVAL

P4	SECTION 104 SUBMISSION - UPDATED MANHOLE CLEAR OPENINGS FROM 600x600 TO 675x675	AMC	AMC	AD	18.09.23
P3	SECTION 104 SUBMISSION - UPDATED MANHOLE CLEAR OPENINGS FROM 600x600 TO 675x675	AMC	AMC	AD	25.08.23
P2	SECTION 104 SUBMISSION	AMC	AMC	AD	10.08.23
P1	FIRST ISSUE	MAC	AC	AD	03.03.23
Rev	Description	Drn	Chk	App	Date

ARDENT CONSULTING ENGINEERS

Third Floor
 The Hallmark Building
 52-56 Leadenhall Street
 London
 EC3M 5JE

Tel: 020 7680 4088
 Web: www.ardent-ce.co.uk
 E-mail: enquiries@ardent-ce.co.uk

worksafe consultant
 www.smasitd.com

SSIP
 SAFETY IN PROGRESS

Client
COTSWOLD HOMES LTD

Project Title
LAND OFF SELMAN DRIVE, FALFIELD

Drawing Title
SECTION 104 ADOPTABLE CONSTRUCTION DETAILS - SHEET 1

A1 Scale	Date	Designed by
NTS	MARCH 2023	MAC
Drawn by	Checked by	Approved by
MAC	MAC	AD
Drawing Number	Rev	
2105140-130	P4	