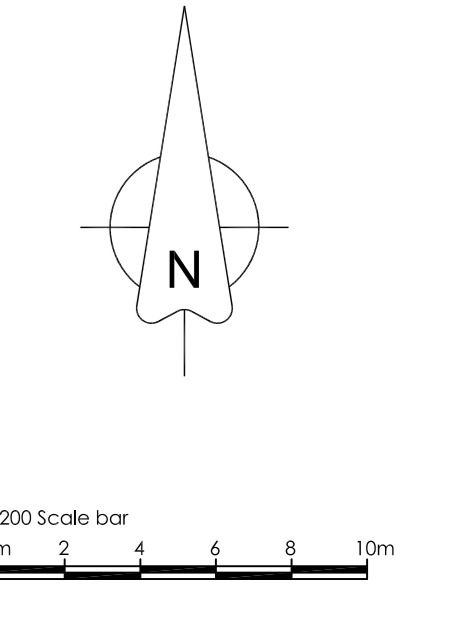




KEY

EXTENT OF EXISTING RESIDENTIAL DEVELOPMENT
(APPLICATION REF 20/00941/OUT)

DETAIL SUBJECT TO SEPARATE PLANNING
APPLICATION BY SEPARATE APPLICANT
(APPLICATION REF XXXXXXXXX)



<p>ABDS Ltd architectural consultants</p> <p>Midlands 1st Floor 15 St Catharines St, Bloxford Raunds MK40 3JB</p> <p>Southern 16 Marsh Goswick Cambs TR12 6JW</p> <p>Tel: 01455 294267 Email: enquiries@abds.co.uk</p>	<p>PROJECT: PROPOSED RESIDENTIAL DEVELOPMENT BRICK KILN ROAD RAUNDS</p> <p>PROPOSED SITE PLAN SHEET 2 OF 3</p> <p>SCALE: 1:200 (A3) DATE: 01.06.2023 DRAWN BY: ABJ CAD REF: [redacted]</p> <p>DWG No: NR/23/003 A</p>
---	---