

Old Wood North, Skellingthorpe, Lincoln LN6 5UA

Telephone: 01522 500238 •

www.linframetrusses.co.uk • enquiries@lincframe.co.uk



Our ref: P27154/Q44396/2

Bafti Builders Ltd

**For the Attention of Bafti Perzhilla**

17 July 2023

Dear Sirs,

**Re: 19 Atwater ct, Lincoln, LN2 4SQ**

Thank you for your enquiry, we have pleasure in offering the following:

Wolf Roof Trusses designed and manufactured at 600 centres to BS EN 1995-1-1 (inc. National Annex and PD 6693-1), BS EN 1991-1 Parts 1, 3 and 4 (including National Annexes).

The building designer is to be consulted to ensure that the roof design is compatible with the supporting structure, to check the overall stability of the complete structure including bracing and determine any fixings to counteract the effects wind forces.

Whilst care is taken to ensure details taken from the drawings and schedules are correct, we require full approval of manufacturing details should this quotation become an order. We reserve the right to amend our prices should subsequent information be at variance with our quotation for whatever reason.

The customer is responsible for ensuring there is suitable access, safe hard standing as well as providing sufficient labour and/or mechanical equipment for the prompt and safe unloading of all goods.

Prices will be reviewed every quarter 1st January, 1st April, 1st July and 1st October.

**Total Price for Project:-**

**Untreated**

Supply of Roof Trusses

£1,702.48

Supply of Ancillary Items

£647.52

---

**Total**

**£2,350.00 + VAT**

Our full specification is detailed on separate sheet.

We hope the above meets with your approval, assuring you of our best attention at all times.

Yours faithfully,

LINCFRAME ROOF TRUSSES LIMITED

**Scott Leech**



**P27154**

**Quotation Summary**

**P27154 Attics**

---

Supply of Roof Trusses	£1,702.48
Supply of Ancillary Items	£522.52

**Per Plot** **£2,225.00**

**Sub Total for 1 No. Plots** **£2,225.00**

**P27154 Wallplate + Battens**

---

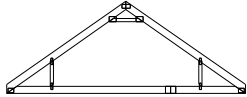
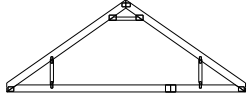
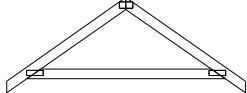
Supply of Roof Trusses	
Supply of Ancillary Items	£125.00

**Per Plot** **£125.00**

**Sub Total for 1 No. Plots** **£125.00**

## P27154 Attics -

### Roof Trusses

4 No.		A1 7400mm 0 / 0 O/H 4x1 Ply	35/35 degrees Attic (4.5m x 2m) (Approx. 96.8kg/truss) 600 Centres
3 No.		A1/2PLY 7400mm 0 / 0 O/H 3x2 Ply Trusses to be fixed together on site	35/35 degrees Attic (4.5m x 2m) (Approx. 96.8kg/truss) 0 Centres
4 No.		DT1 1480mm 150 / 150 O/H 4x1 Ply	35/35 degrees (Approx. 6.5kg/truss) 600 Centres

### Infill Timber

- 1 No. Dormer Infill
- 1 No. Stairs Infill

### Metalwork

12 No.	A35 Framing Anchor	A35
8 No.	50mm Truss Clip	Clip
36 No.	50mm JHA270 Joist Hanger (Wrap Over)	JHA270/50
8 No.	1000mm LES10B10 Restraint Strap	LES10B10
8 No.	1500mm HES15B10 Restraint Strap	HES15B10

### Ancillary Items

#### Valley Sets

- 1 No. Valley No1      2 frames upto 1480mm, 35.0°

#### Bracing

- 82 m 22x100

## **P27154 Wallplate + Battens -**

### **Ancillary Items**

#### **Roofing Items**

3 No. 4x2 C24 Wallplate 4200mm

27 No. Blue Tile Battens 4800mm

#### **Extra Items**

1 No.