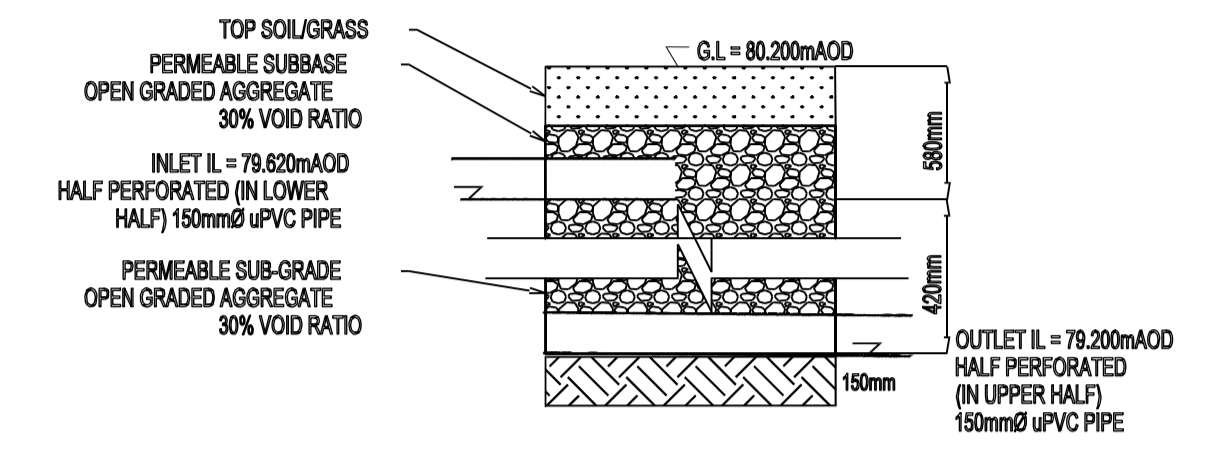
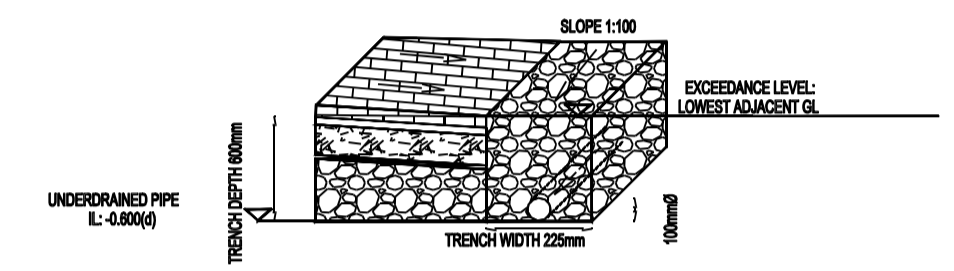


NEW APPLICATION

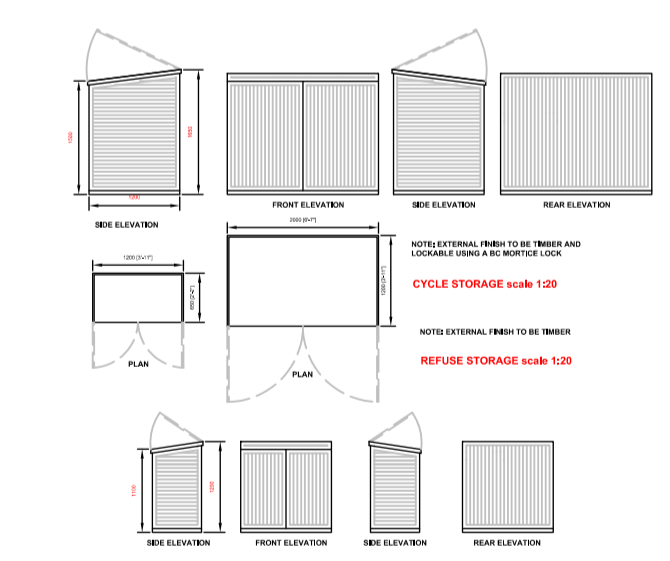
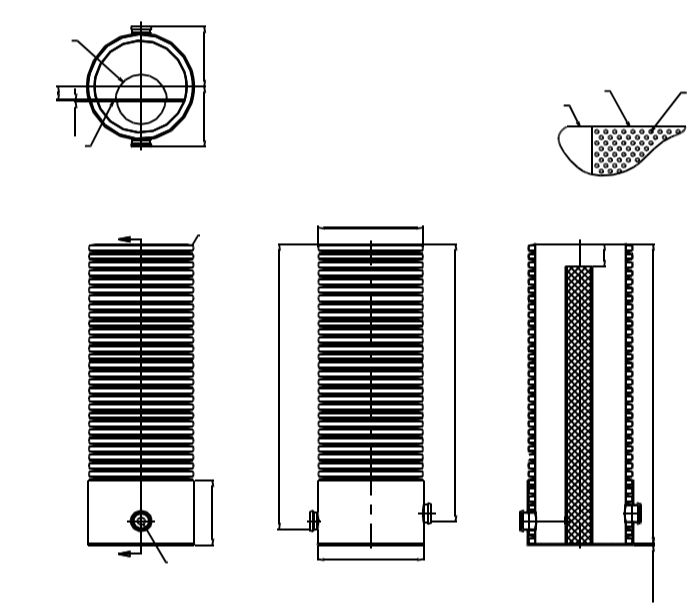
PROPOSED TRAFFIC SCHEME 1:100



SUB-BASE STORAGE CROSS-SECTION



FILTER DRAIN CROSS SECTION



NEW APPLICATION

PROPOSED SITE DETAILS 1:100

Revision	Description	Date

TOWN AND COUNTRY PLANNING LTD
(020) 8441 4947
13 Evelyn Road, Cockfosters, Hertfordshire EN4 9JT
e-mail: martin@tcppltd.net

Project
31 Beech Hill Ave
Hadley Wood
Herts
EN4

Client
Mr & Mrs N. Christofi

Proposed Traffic Scheme & Site Details

Drawing No.
2022/1562/7

Scale 1:100 **Drawn By:** M.P.M

Sheet Size A1 **Date** 30 Nov 2023

IMPORTANT NOTICE
© Copyright. Drawing to be used in conjunction with specification and structural engineers notes. All dimensions to be checked on site prior to commencement of work, differences between drawings, and between drawings and specification or structural engineers details to be referred immediately to Town and Country Planning Ltd. Work should only be undertaken from local authority approved drawings. Commencement of any work on site prior to gaining the necessary planning and/or building control approvals is entirely at the client's own risk. We strongly recommend you agree the boundary lines of the property before any work commences on site it is the responsibility of the builder and the property owner to be in agreement with the definition of these lines.