



DIRECT SPORTS LIGHTING



APEX PRO

500W/800W/1000W/1200W/1500W/2000W

IP66

IK10

5 YEARS WARRANTY



APEX PRO

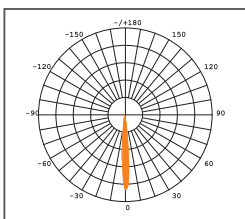
A new generation of Product, light weight, small size, small wind resistance, high brightness, wide illumination range and adjustable beam angle. The power supply can be built-in/external. It is easy to install and has a handle. The waterproof performance of the lamp is IP66, suitable for outdoor large venues such as stadiums, docks and airports;

The light is designed by our own R&D teams. Various tests like salt spray test, waterproof test, and vibration test have been done to ensure its excellent waterproof performance, safe packing, and safety during transportation.

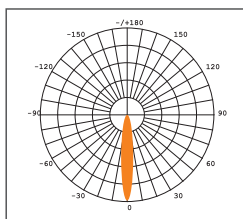
PRODUCT ADVANTAGES

- Small size and low wind resistance;
- Products are equipped with hoists for easy installation;
- Easy external wiring;
- Intelligent dimming;
- The power supply can be built in/outside;
- Low transportation costs;

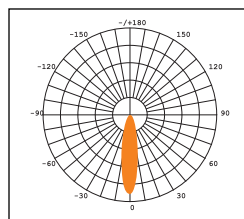
OPTIONAL PHOTOMETRIC DIAGRAMS



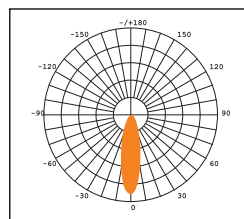
9°



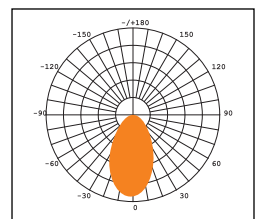
15°



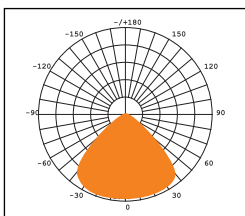
20°



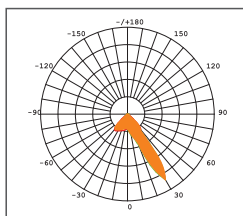
30°



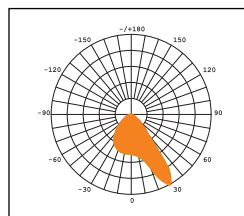
60°



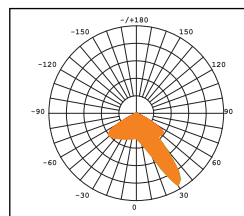
90°



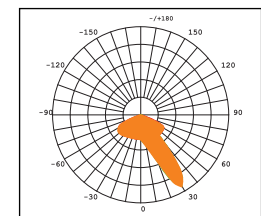
Narrow



Medium



Wide



Very Wide



**DIRECT SPORTS
LIGHTING**



UNIFORM ILLUMINATION WITH VARIOUS LENS

Asymmetrical and Symmetrical Lens
Full Coverage of Light Types
Uniform Illumination of the Illuminated Area



BRACKET STEPLESS ADJUSTMENT

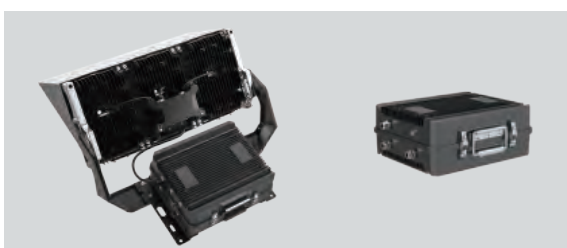
Stepless adjustment is more suitable
for the angle requirements of different
applications

POWER SUPPLY BUILT-IN/EXTERNAL

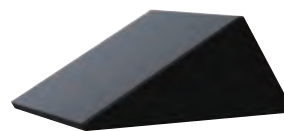
BUILT-IN POWER SUPPLY



EXTERNAL POWER SUPPLY



LENS HOOD ANTI-GLARE



ALUMINA LASER LOGO, HIGH-LIGHTING BRAND HIGHLIGHTS





**DIRECT SPORTS
LIGHTING**

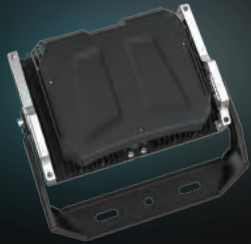
HANDLE DESIGN

Beautiful appearance, easy installation
and more convenient



1070 PURE ALUMINUM MATERIAL

1070 pure aluminum design, super heat
conduction and heat dissipation effect



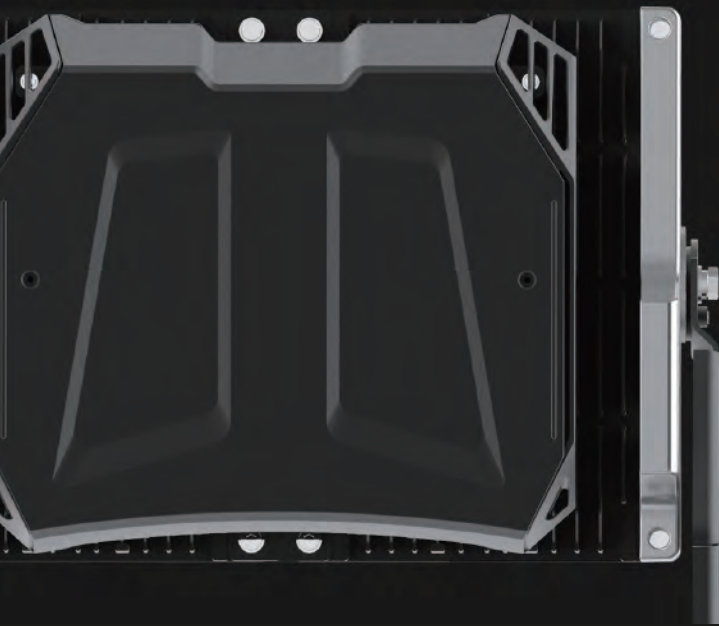
**DIE-CASTING FACE FRAME, SHIELDING SCREWS,
ENHANCING HIGH-END VISUAL SENSE**

**AIR CONVECTION DESIGN
IN POWER SUPPLY CHAMBER**





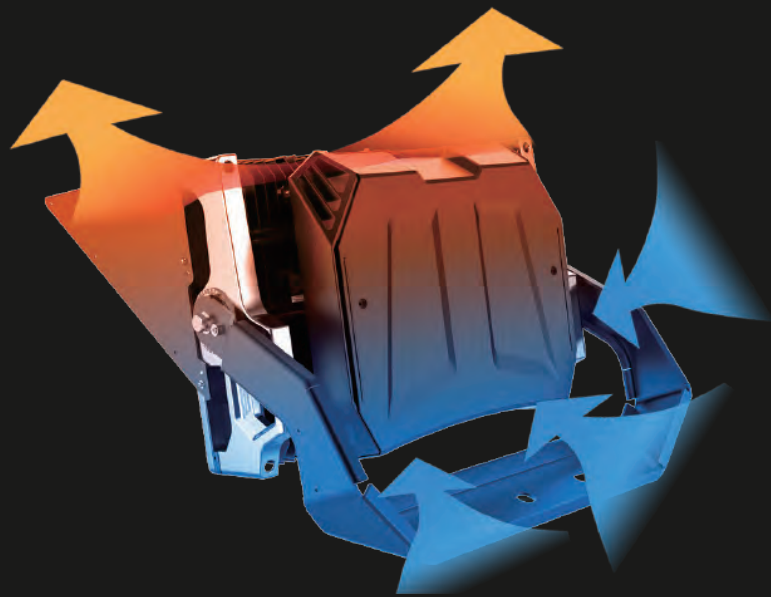
DIRECT SPORTS
LIGHTING



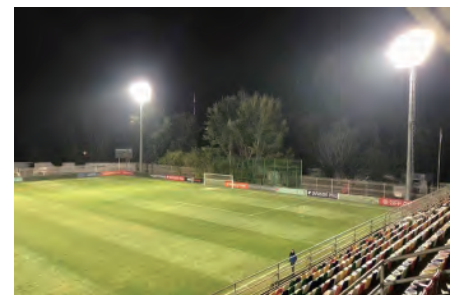
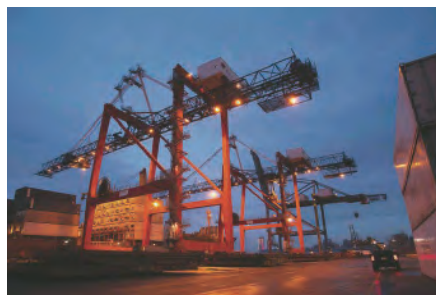
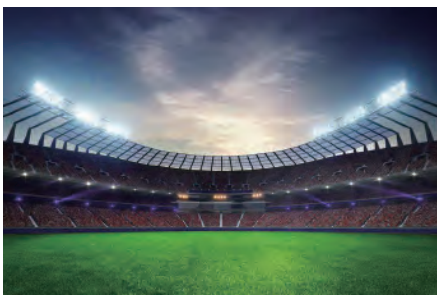
LONGER LIFE WITH BREATHING VALVE LAMP BODY

Each module is equipped with a breathing valve to ensure the internal and external air pressure is balanced and extend the life of the entire lamp

STRONGER HEAT DISSIPATION



APPLICATIONS



APEX PRO

HD-FL10-500W

BUILT-IN POWER SUPPLY

SPECIFICATIONS

OPTICAL DATA

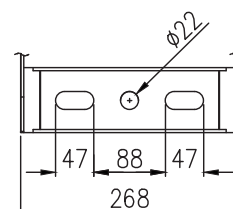
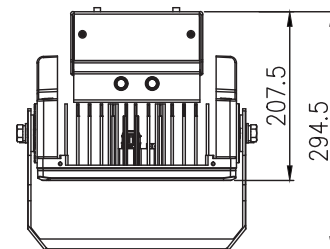
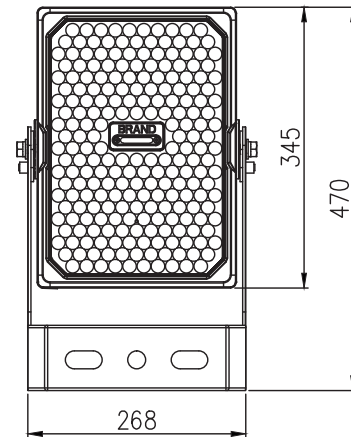
Wattage	500W		
LED Type	Lumileds 5050	Samsung 3535	
Efficiency	150LM/W	130LM/W	120LM/W
Luminous Flux	75000Lm	65000Lm	60000Lm
Beam Angle	30°/60°/90°	15°/20°/Narrow/Medium/Wide/Very Wide	9°
CCT	4000K/5000K/5700K		
CRI	>70Ra		
System Efficiency	>90%		

ELECTRICAL DATA

PowerSupply	INVENTRONICS/SOSEN
Input Voltage	AC100-277V
Power Frequency	50/60Hz
Power Efficiency	>92%
Power Factor	0.95
Total Harmonic Distortion	<15%
Operating Temp	-30° C ~ 50° C

OTHERS

IP	IP66
Lifetime (L70 Standard)	100,000 hours
Heat Radiator	Cold forged aluminum
Lens Material	PC
Dimension	268*470*294.5mm
Net Weight	13kg



mm

APEX PRO

HD-FL10-800W

BUILT-IN POWER SUPPLY

SPECIFICATIONS

OPTICAL DATA

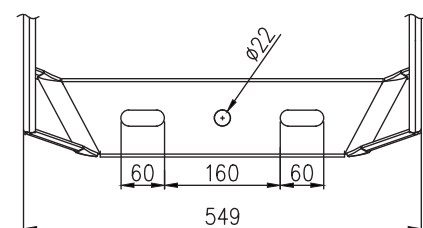
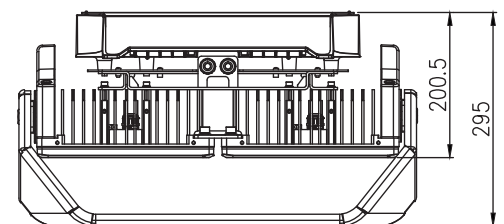
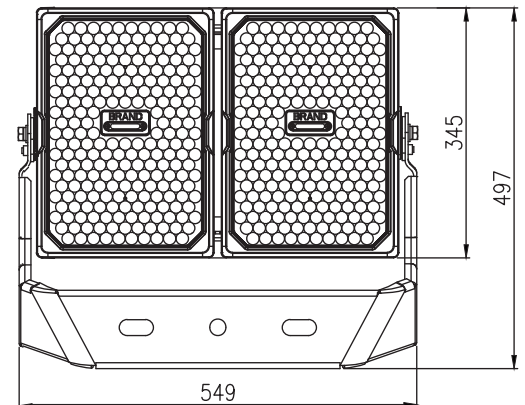
Wattage	800W		
LED Type	Lumileds 5050	Samsung 3535	
Efficiency	150LM/W	130LM/W	120LM/W
Luminous Flux	120000Lm	104000Lm	96000Lm
Beam Angle	30°/60°/90°	15°/20°/Narrow/Medium/Wide/Very Wide	9°
CCT	4000K/5000K/5700K		
CRI	>70Ra		
System Efficiency	>90%		

ELECTRICAL DATA

PowerSupply	INVENTRONICS/SOSEN
Input Voltage	AC100-277V
Power Frequency	50/60Hz
Power Efficiency	>92%
Power Factor	0.95
Total Harmonic Distortion	<15%
Operating Temp	-30° C ~ 50° C

OTHERS

IP	IP66
Lifetime (L70 Standard)	100,000 hours
Heat Radiator	Cold forged aluminum
Lens Material	PC
Dimension	549*497*295mm
Net Weight	20kg



mm

APEX PRO

HD-FL10-1000W

BUILT-IN POWER SUPPLY

SPECIFICATIONS

OPTICAL DATA

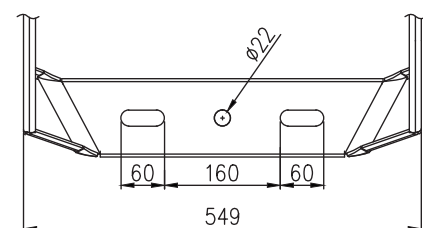
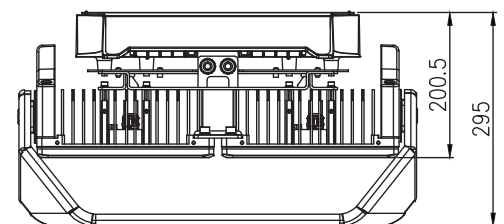
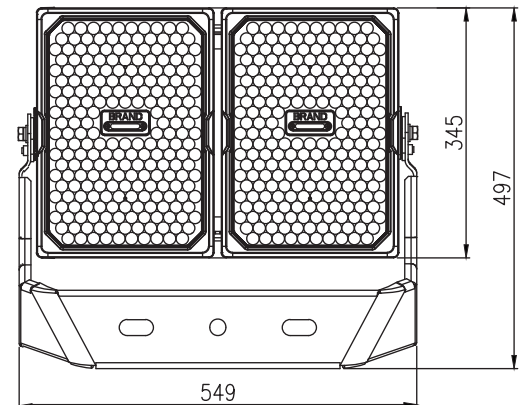
Wattage	1000W		
LED Type	Lumileds 5050	Samsung 3535	
Efficiency	150LM/W	130LM/W	120LM/W
Luminous Flux	150000Lm	130000Lm	120000Lm
Beam Angle	30°/60°/90°	15°/20°/Narrow/Medium/Wide/Very Wide	9°
CCT	4000K/5000K/5700K		
CRI	>70Ra		
System Efficiency	>90%		

ELECTRICAL DATA

PowerSupply	INVENTRONICS/SOSEN
Input Voltage	AC100-277V
Power Frequency	50/60Hz
Power Efficiency	>92%
Power Factor	0.95
Total Harmonic Distortion	<15%
Operating Temp	-30° C ~ 50° C

OTHERS

IP	IP66
Lifetime (L70 Standard)	100,000 hours
Heat Radiator	Cold forged aluminum
Lens Material	PC
Dimension	549*497*295mm
Net Weight	23kg



mm

APEX PRO

HD-FL10-1200W

EXTERNAL POWER SUPPLY

SPECIFICATIONS

OPTICAL DATA

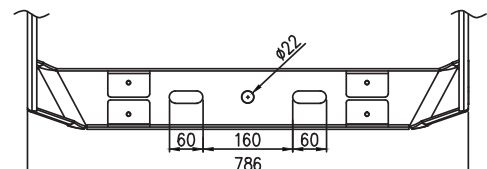
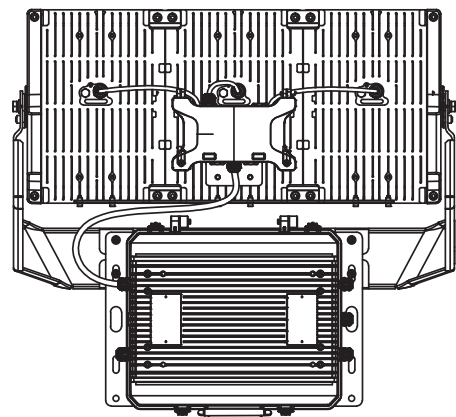
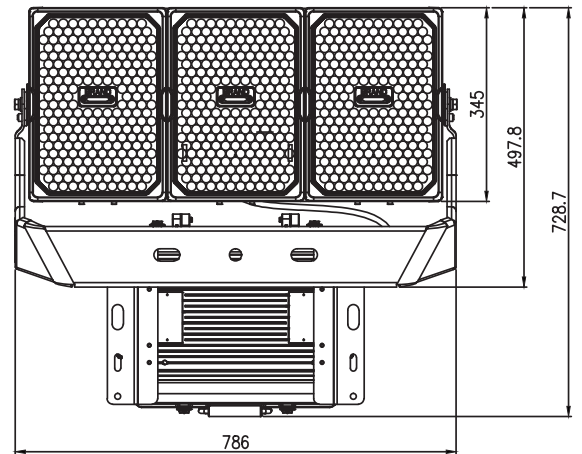
Wattage	1200W		
LED Type	Lumileds 5050	Samsung 3535	
Efficiency	150LM/W	130LM/W	120LM/W
Luminous Flux	180000Lm	156000Lm	144000Lm
Beam Angle	30°/60°/90°	15°/20°/Narrow/Medium/Wide/Very Wide	9°
CCT	4000K/5000K/5700K		
CRI	>70Ra		
System Efficiency	>90%		

ELECTRICAL DATA

PowerSupply	INVENTRONICS/SOSEN
Input Voltage	AC100-277V
Power Frequency	50/60Hz
Power Efficiency	>92%
Power Factor	0.95
Total Harmonic Distortion	<15%
Operating Temp	-30° C ~ 50° C

OTHERS

IP	IP66
Lifetime (L70 Standard)	100,000 hours
Heat Radiator	Cold forged aluminum
Lens Material	PC
Dimension	786*728.7*308mm
Net Weight	20kg + 15kg (Remote Gear)



mm

APEX PRO

HD-FL10-1500W

EXTERNAL POWER SUPPLY

SPECIFICATIONS

OPTICAL DATA

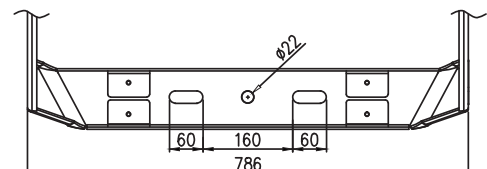
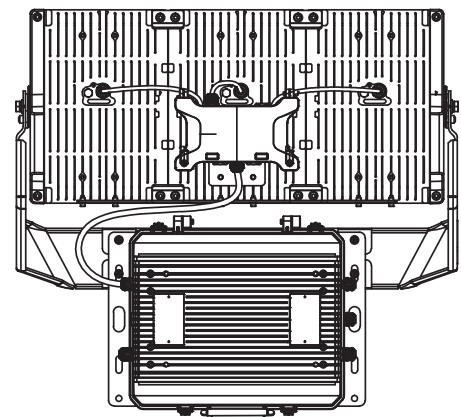
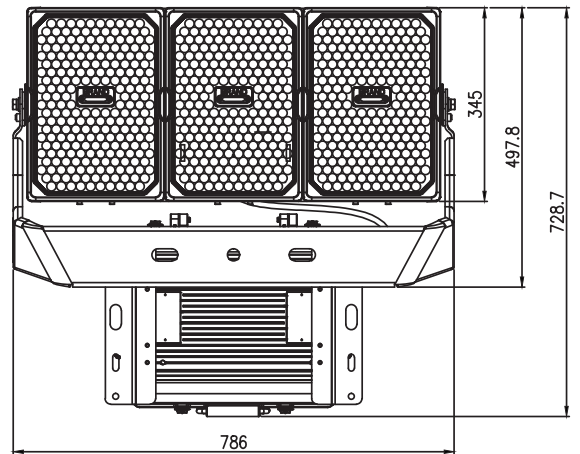
Wattage	1500W		
LED Type	Lumileds 5050	Samsung 3535	
Efficiency	150LM/W	130LM/W	120LM/W
Luminous Flux	225000Lm	195000Lm	180000Lm
Beam Angle	30°/60°/90°	15°/20°/Narrow/Medium/Wide/Very Wide	9°
CCT	4000K/5000K/5700K		
CRI	>70Ra		
System Efficiency	>90%		

ELECTRICAL DATA

PowerSupply	INVENTRONICS/SOSEN
Input Voltage	AC100-277V
Power Frequency	50/60Hz
Power Efficiency	>92%
Power Factor	0.95
Total Harmonic Distortion	<15%
Operating Temp	-30° C ~ 50° C

OTHERS

IP	IP66
Lifetime (L70 Standard)	100,000 hours
Heat Radiator	Cold forged aluminum
Lens Material	PC
Dimension	786*728.7*308mm
Net Weight	21kg + 15kg (Remote Gear)



mm

APEX PRO

HD-FL10-2000W

EXTERNAL POWER SUPPLY

SPECIFICATIONS

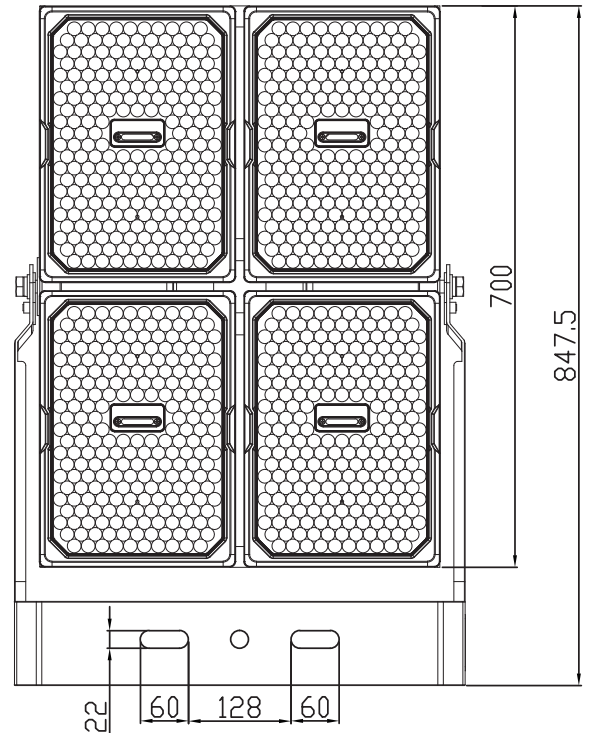


OPTICAL DATA

Wattage	2000W		
LED Type	Lumileds 5050	Samsung 3535	
Efficiency	150LM/W	130LM/W	120LM/W
Luminous Flux	225000Lm	195000Lm	240000Lm
Beam Angle	30°/60°/90°	15°/20°/Narrow/Medium/Wide/Very Wide	9°
CCT	4000K/5000K/5700K		
CRI	>70Ra		
System Efficiency	>90%		

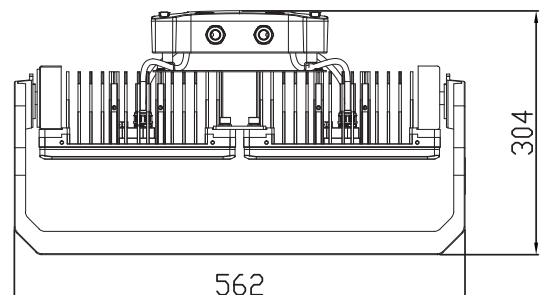
ELECTRICAL DATA

PowerSupply	INVENTRONICS/SOSEN
Input Voltage	AC100-277V
Power Frequency	50/60Hz
Power Efficiency	>92%
Power Factor	0.95
Total Harmonic Distortion	<15%
Operating Temp	-30° C ~ 50° C



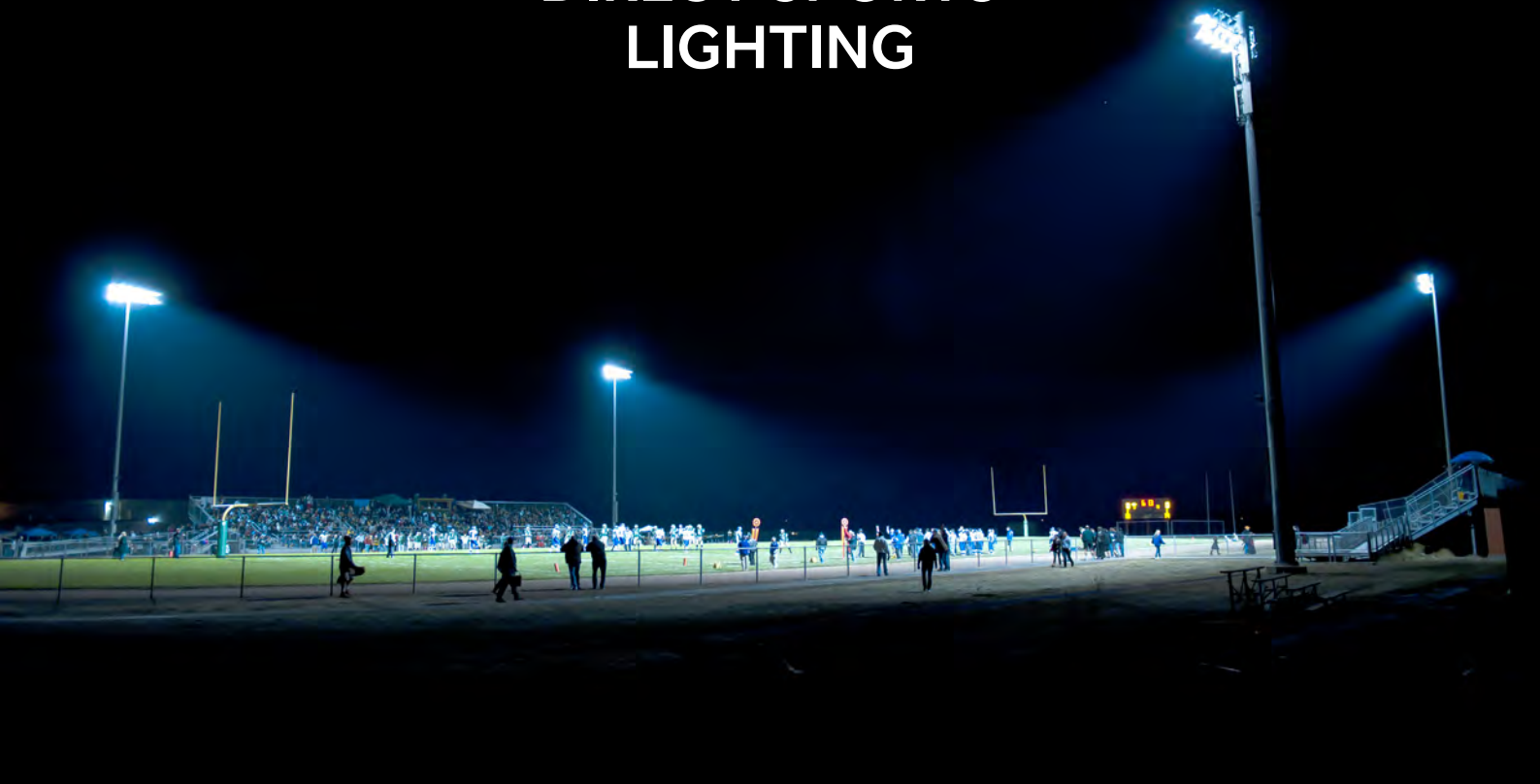
OTHERS

IP	IP66
Lifetime (L70 Standard)	100,000 hours
Heat Radiator	Cold forged aluminum
Lens Material	PC
Dimension	847.5*562*304mm
Net Weight	31.5kg+17kg(Remote Gear)





DIRECT SPORTS LIGHTING



DIRECT SPORTS LIGHTING

3 The Maltings
Ure Bank Top
Ripon
HG4 1AE
Tel: 0845 643 0722
Email: sales@directsportslighting.co.uk

www.directsportslighting.co.uk

PACKING INCLUDING

1pcs APEX PRO
1pcs product user manual