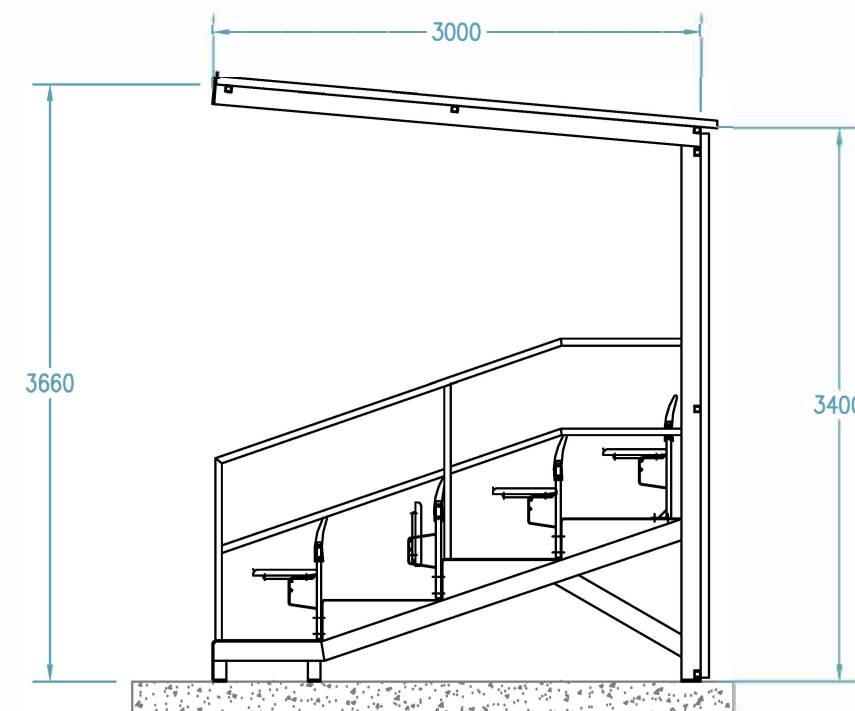
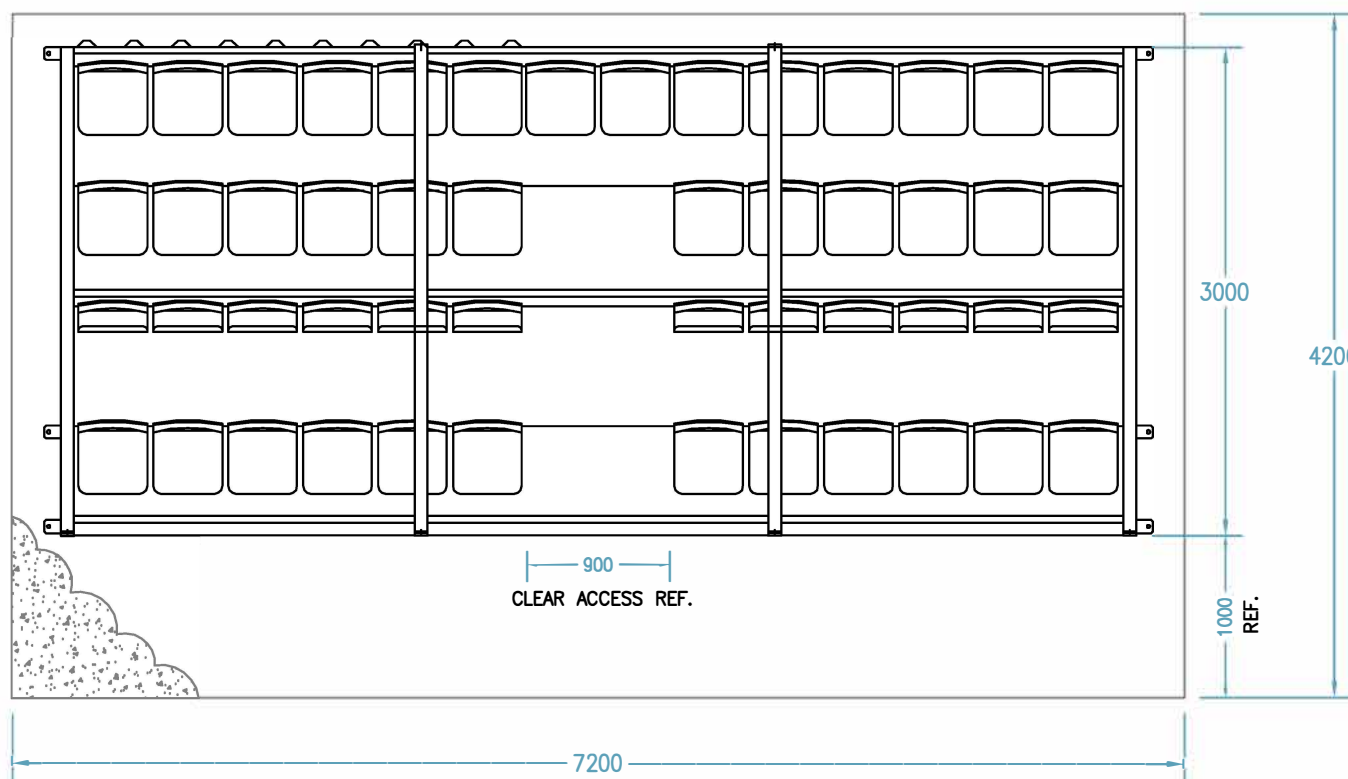




VIEW ON FRONT  
(SEATS OMITTED FOR CLARITY)



VIEW ON END



PLAN VIEW  
(ROOF CLADDING OMITTED FOR CLARITY)

|   |   |   |            |            |
|---|---|---|------------|------------|
|  <p><b>SPORTS GROUND DEVELOPMENT</b></p> | 11 DALE CLOSE<br>PETERBOROUGH PE4 5HQ<br>TEL: 01733270729<br>SALES@SPORTSGDL.COM                  |   |            |            |
|   | COLERIDGE IRONWORKS<br>UNIT 1 LIME KILN LANE<br>STILTON PE7 3US<br>ADMIN@COLERIDGEIRONWORKS.CO.UK |   |            |            |
|  FIRST ANGLE PROJECTION                  |   | ALL DIMENSIONS IN mm<br>UNLESS OTHERWISE STATED |            |            |
| SCALE   | DRAWING TITLE   |   |            |            |
| NTS   | COVERED SEATING FOR 50<br>STANDARD STEP 250mmx4   |   |            |            |
| PROJECT TITLE   |   |   |            |            |
| CLIENT/SITE   |   |   |            |            |
| CONTRACT No.  | CIW DRG REF   | DRAWN BY  | CHECKED BY | DATE       |
|   | CTG   | CIW-NH  | CIW-AJM    | 24/11/2023 |
| BS EN 1090-2:<br>EXC. 2   | DRAWING No.   | REV   |            |            |
|   | CIW-CTG-250-4-50-STR  | 00  |            |            |