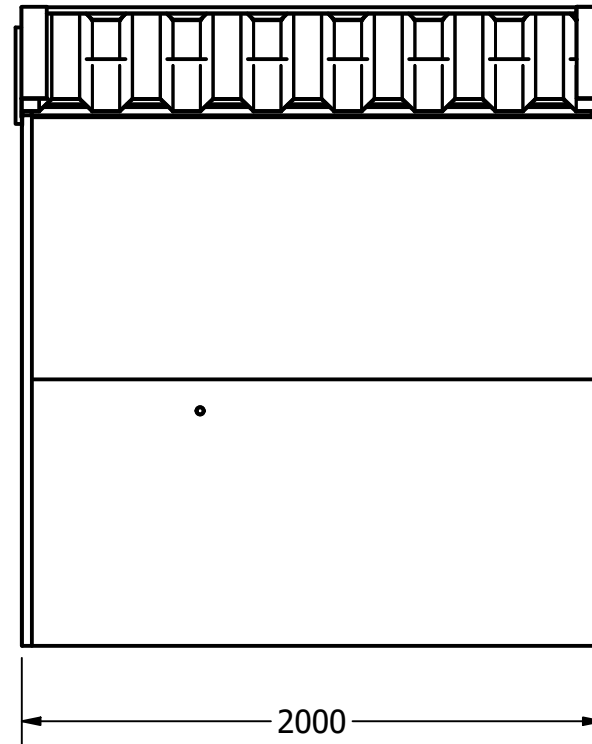
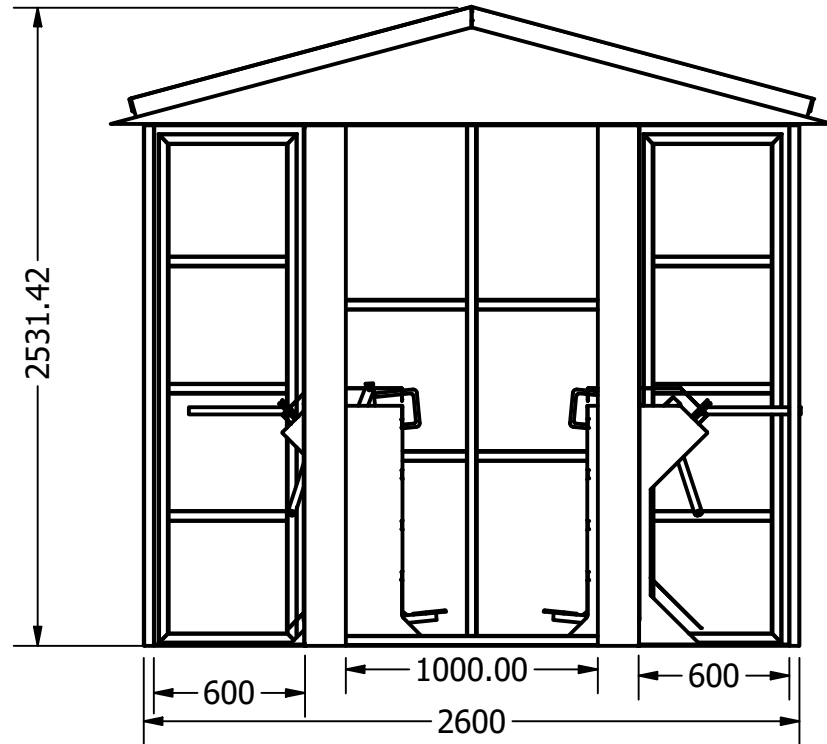
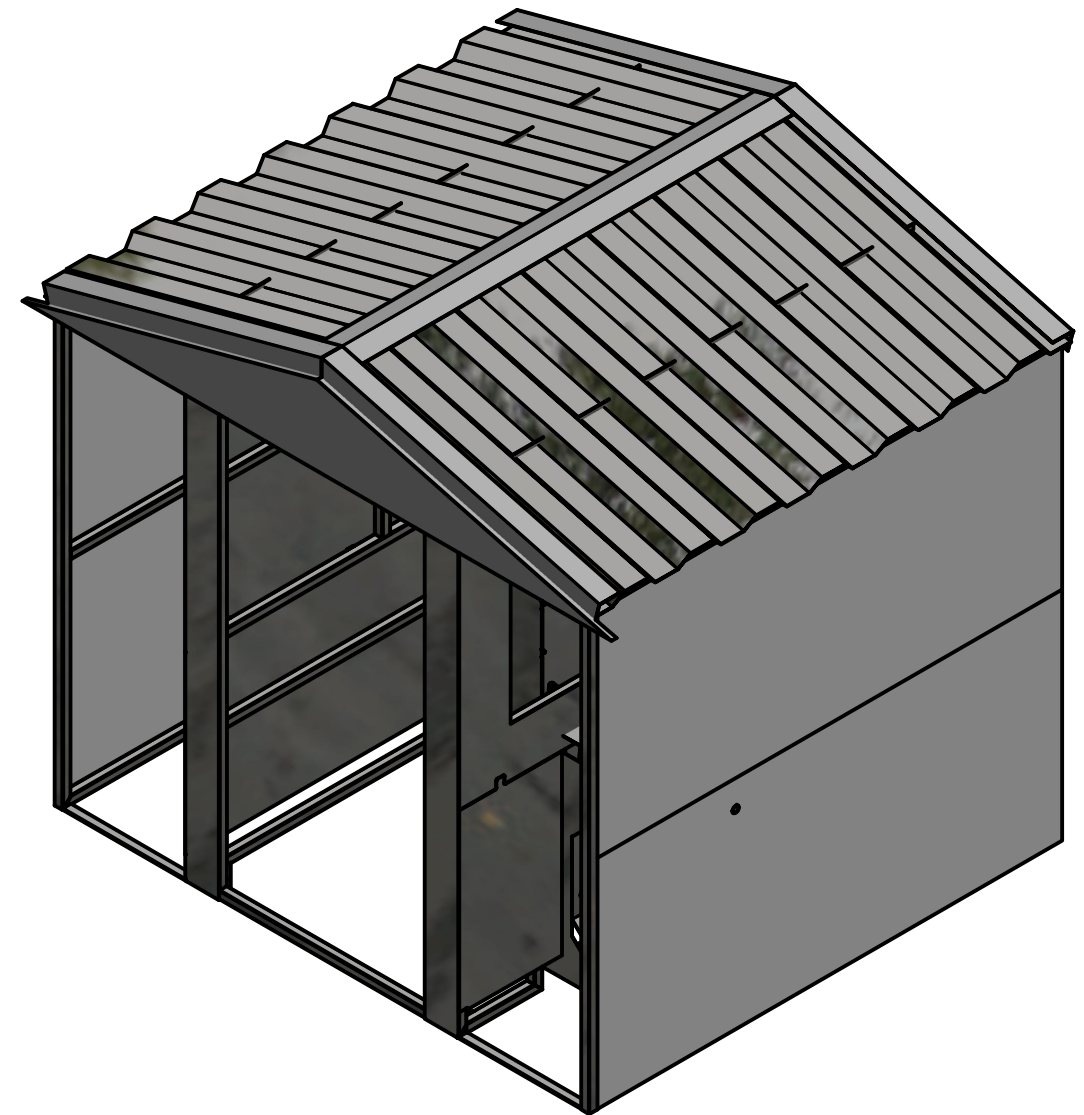


Drawing not to be altered or reproduced without the written permission of Sports Ground Development Limited or Welland Valley Engineering and is not to be shared with 3rd parties save for the purposes of Planning Permission



Marketed and sold by
 Sports Ground Development Ltd
 11 Dale Close
 Peterborough. PE2 5HB
 www.sportsgrounddevelopment.com
 sales@sportsgdl.com
 01733 624422

DRAWN	Welland Valley Engineering	DATE	05/11/2020	TITLE		
CHECKED		DATE		Double Turnstile		
MAT'L/ FINISH		SCALE		DRAWING NO.	ISSUE	SHEET
				Double Turnstile Assembly		A3
REMOVE ALL BURRS AND SHARP EDGES				THIRD ANGLE PROJECTION		
DO NOT SCALE FROM PRINT.				ALL DIMENSIONS ARE IN mm, UNLESS OTHERWISE STATED.		

TOLERANCES UNLESS OTHERWISE STATED					
FOLDED	MACHINED		FABRICATED	HOLE CENTRES	
± 0.20	0	± 0.20	Up to 500	± 0.50	± 0.20
	0.0	± 0.10	Over 500	± 1.00	ANGLES
	0.00	± 0.05			± 0.20~