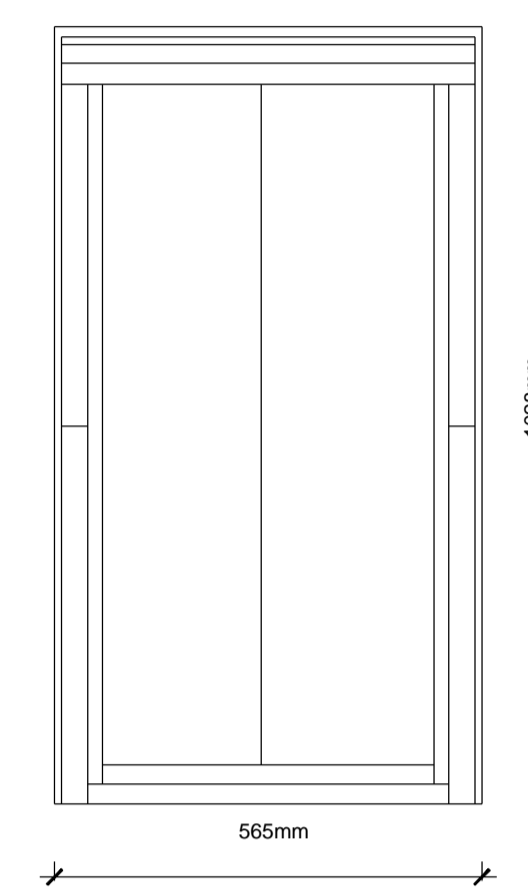


Glazed door and side panels:

0m 200mm 400mm 1.0m 1:20 at A1



The Rooflight Window Company  
Conservation Roof lights  
565mm x 1028mm CR03-2

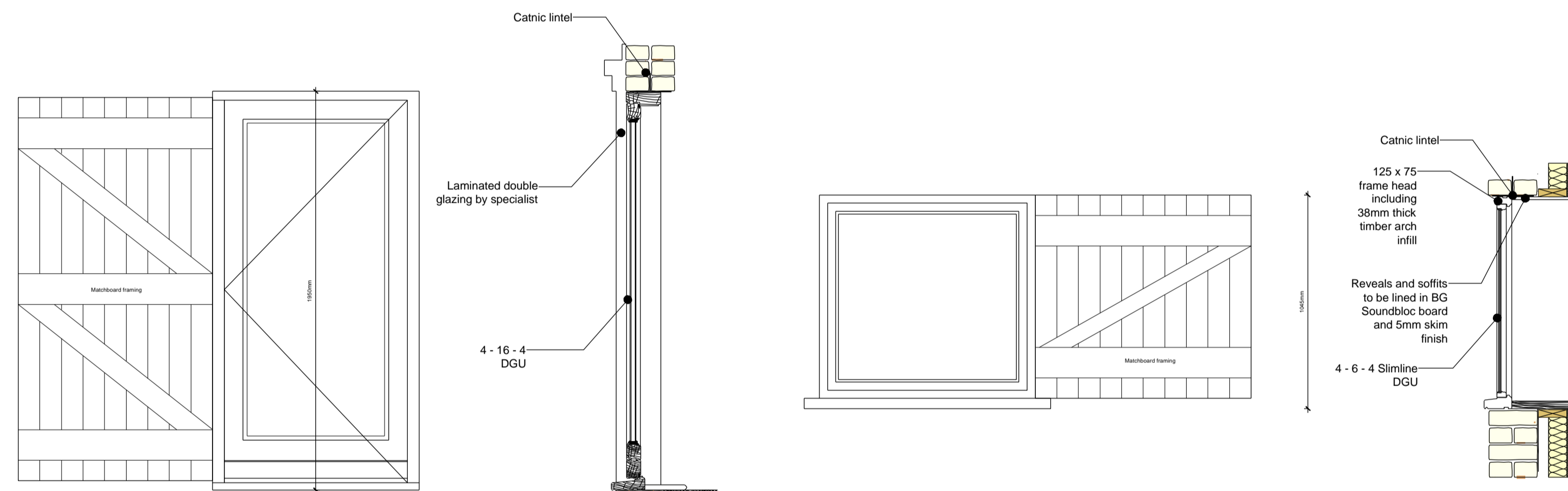
The Roof light company E1 roof light range

Lead Soakers.  
Code 3 lead is sufficient for normal exposures. Use code 4 or 5 lead for severer exposures, and consider clipping down in coastal areas.

Roof tiles.

The Roof Light Company CR03-2 roof light:

0m 100mm 200mm 500mm 1:10 at A1



Front elevation windows:

0m 200mm 400mm 1.0m 1:20 at A1

Ground and First floor windows and doors to be flush fitting softwood double glazed units with timber cill.

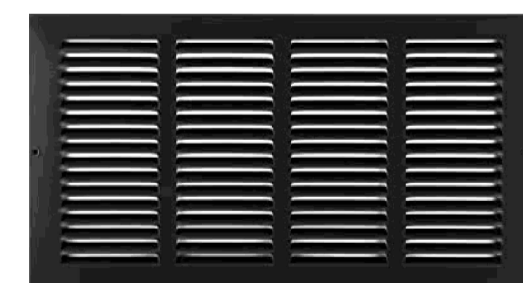
All to be painted and finished in All to be painted and finished in Farrow & Ball - Off-Black No.57 colour

Front elevation doors:

0m 200mm 400mm 1.0m 1:20 at A1



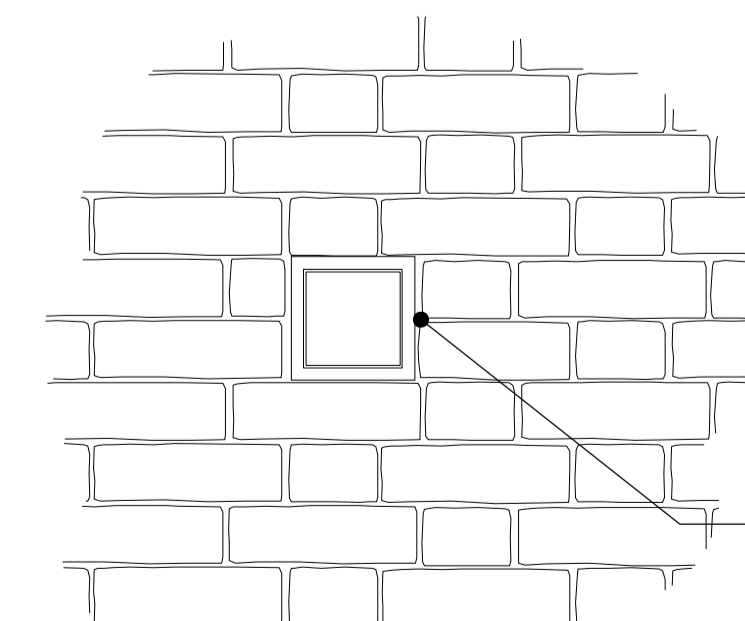
Reclaimed clay Pantile



Black aluminum cover 'air brick' vent



Heritage textured black aluminum gutters and down pipes, gutters supported on rise and fall brackets



Typical wall ventilation cover - Conservation ventilation grilles

Wall ventilation cover - Conservation ventilation grilles

E	Corbel detail raised to annexe, internal wall added to barn	12.2023
D	External finish	09.2023
C	External finish	09.2023
B	Revised details	08.2023
A	Additional roof information added	07.2023
No.	Revision/Issue	Date

TF Architectural Services Ltd

PROJECT:  
Proposed barn & annexe conversion

DRAWING TITLE:  
Proposed Annexe Details

PROJECT ADDRESS:  
Old Manor Farm Barn  
Main Street  
Farnsfield

CLIENT: Mr & Mrs Heywood	
DRG NO: 602_2022_06 Rev E	DATE: June 2023
SCALE: 1:20 & 1:10	FORMAT: A1