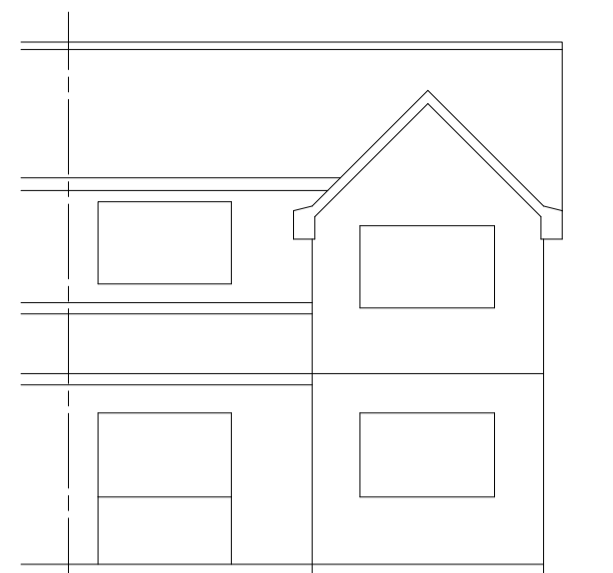
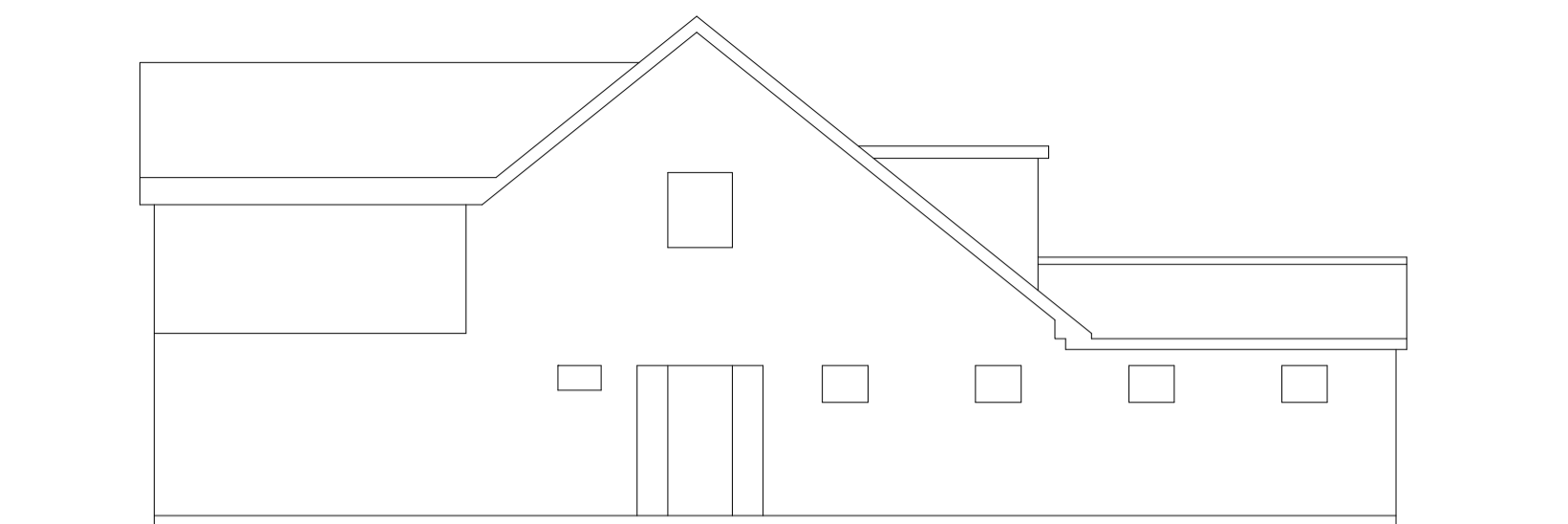


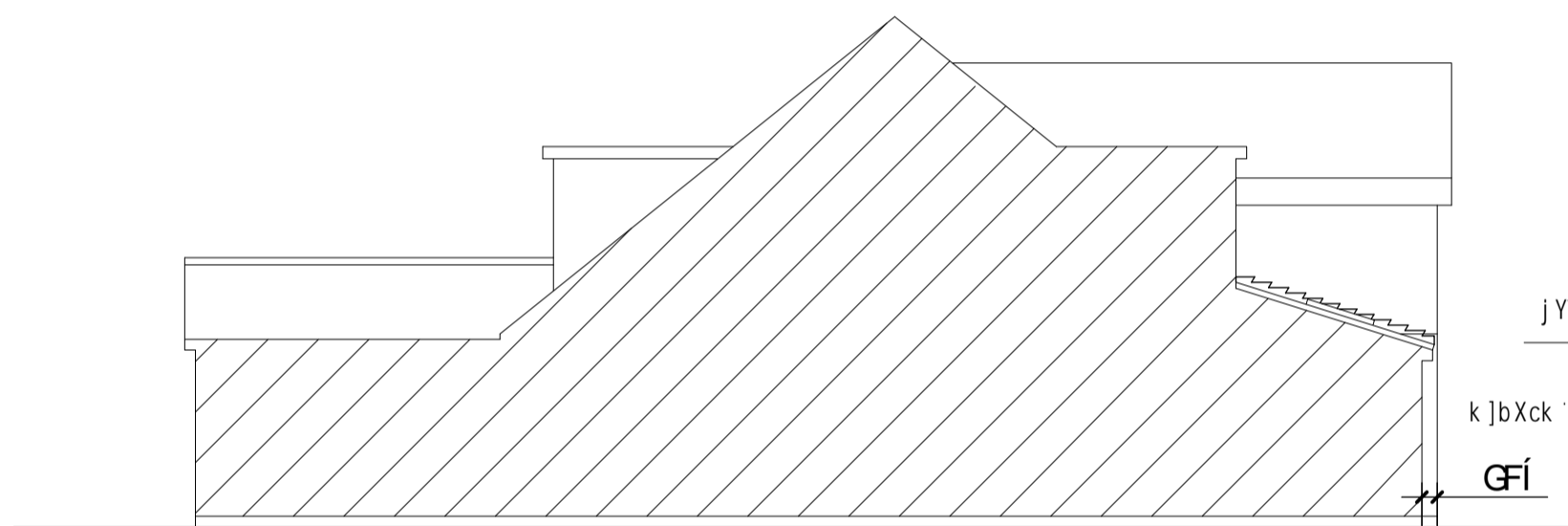
9L-GH-B; 'G-8 9' 9@9J 5H-CB



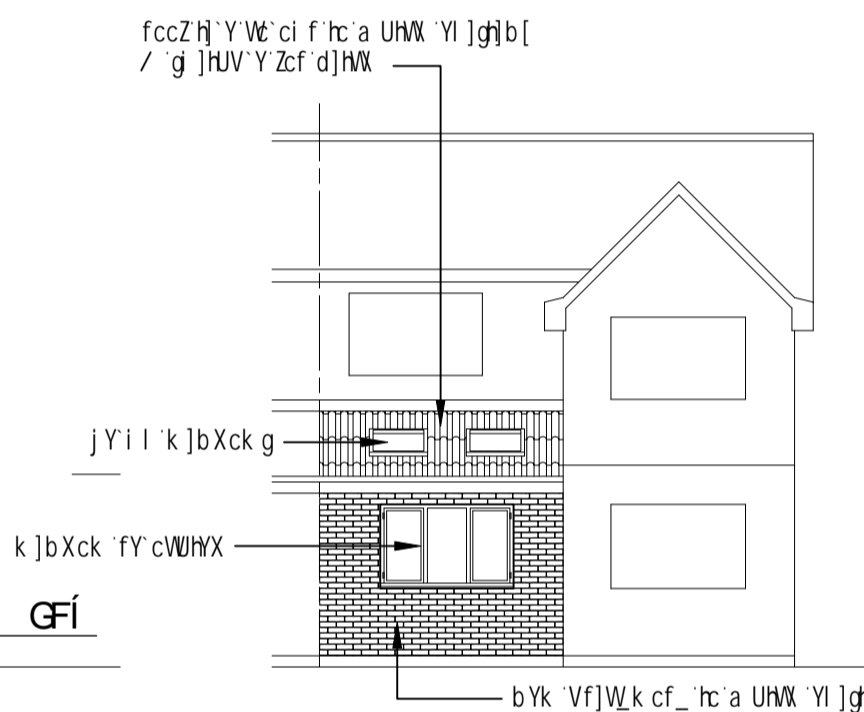
9L-GH-B; ' : F CBH' 9@9J 5H-CB



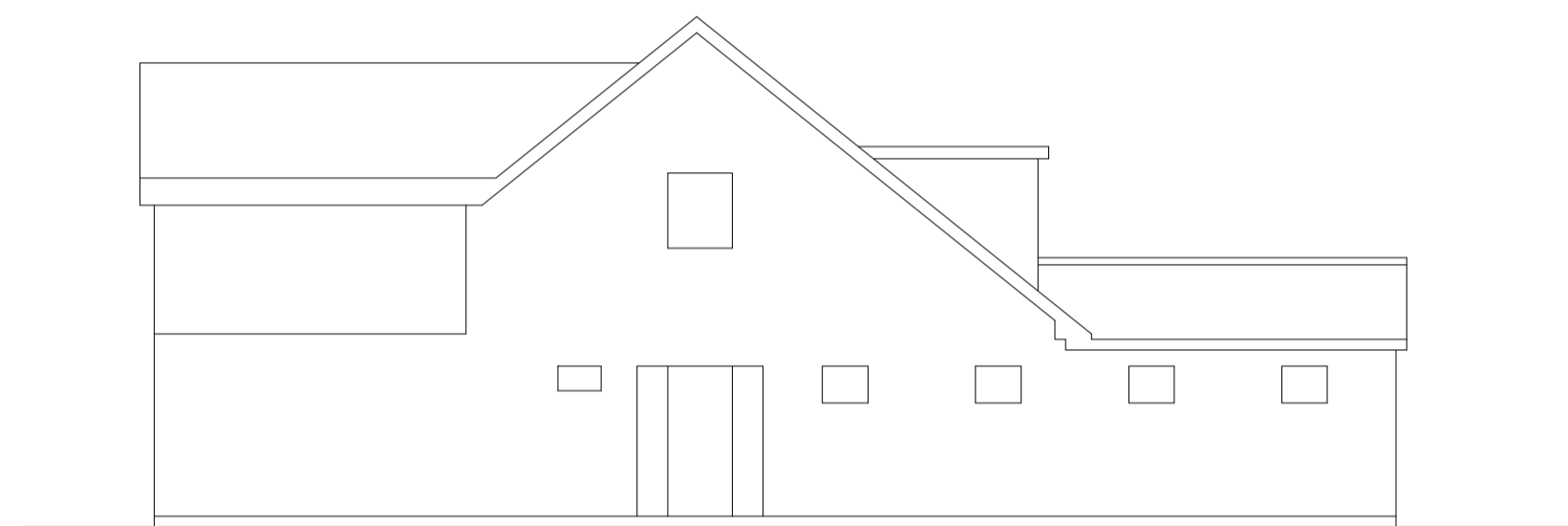
9L-GH-B; 'G-8 9' 9@9J 5H-CB



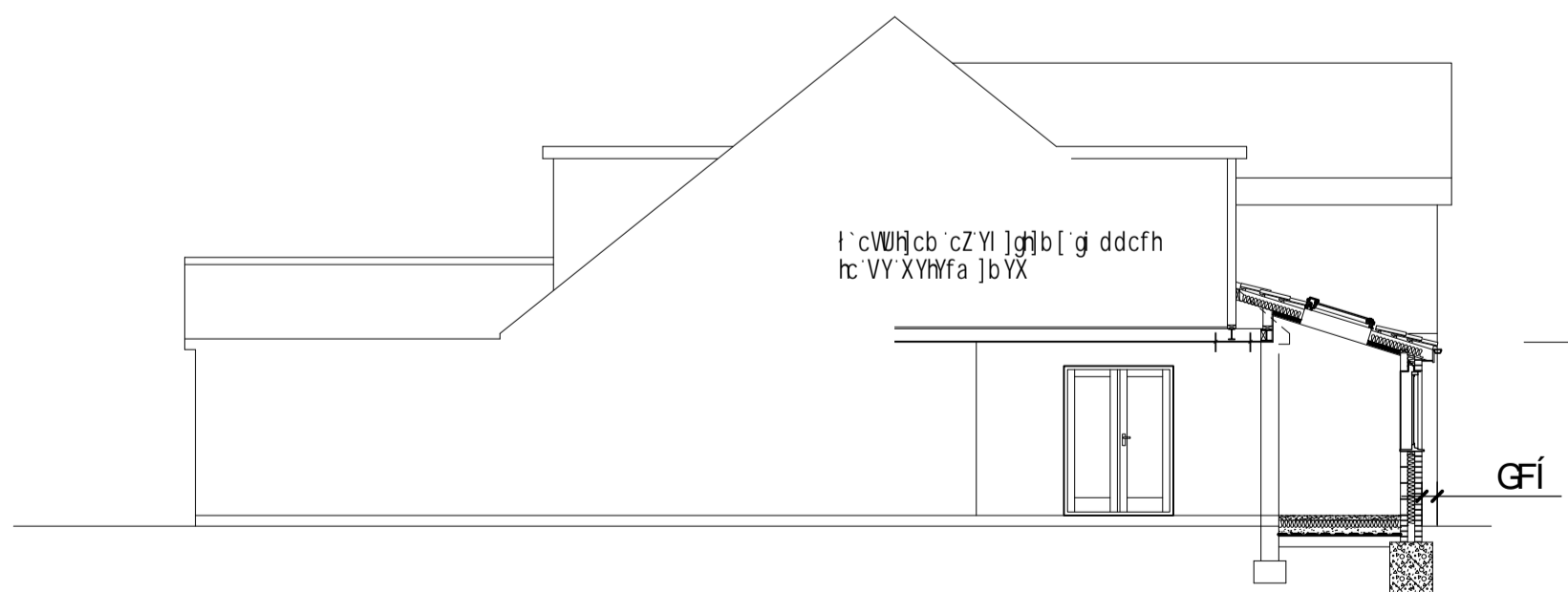
DF CDCG98 'G-8 9' 9@9J 5H-CB



DF CDCG98 ' : F CBH' 9@9J 5H-CB



DF CDCG98 'G-8 9' 9@9J 5H-CB



DF CDCG98 'D5F H' G97H-CB



ÖŠŦV	A F / ' AFG : 5FA 9F	ÜÖXŦP
!	&\$'G7F I 6' F -G9ž 6-@@9F -75M	!
	9GG9Lž7A %& ' - D;	
ÜÜURÖV	G-B; @9'GHCF 9M: F CBH' 9LH9BG-CB	
!	/ 'BH9F B5@5@H9F 5H-CBG	
ÖÜÆŦÖ	9L-GH-B; / ' DF CDCG98 '9@9J 5H-CBG	
!		
ÖÜÖŦI	&\$GF #\$\$%	!
!		
ÜÖCŠÖ	%.%\$ \$' 4' 5&	ÖCŦÖ
!		! 8979A 69F ' &\$&'