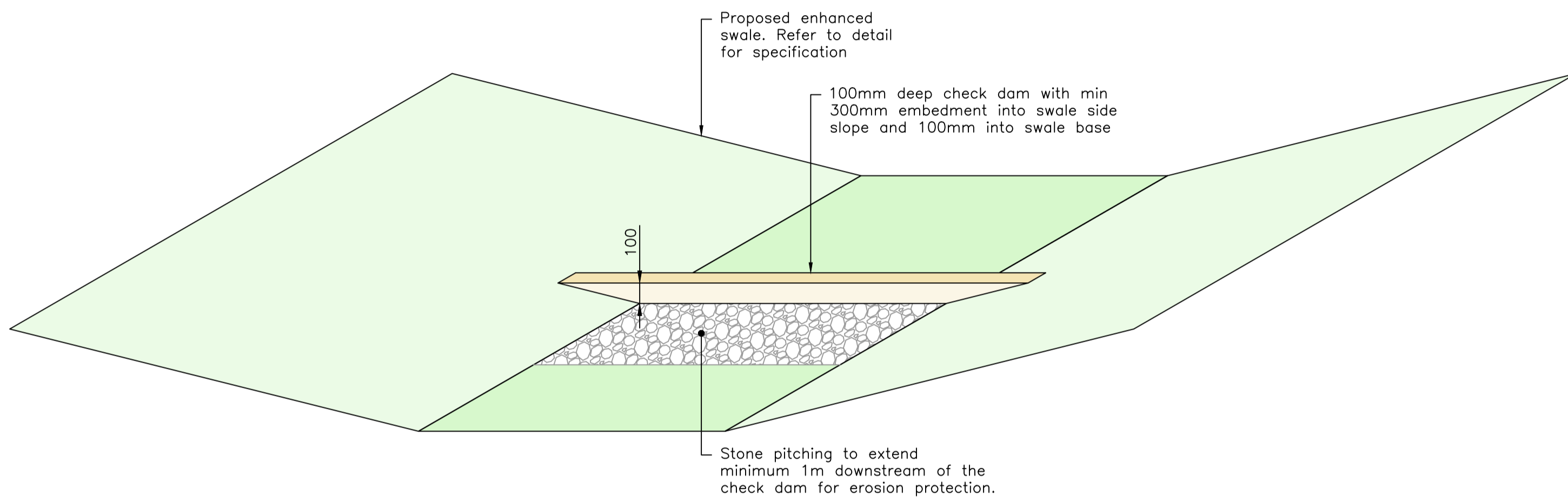
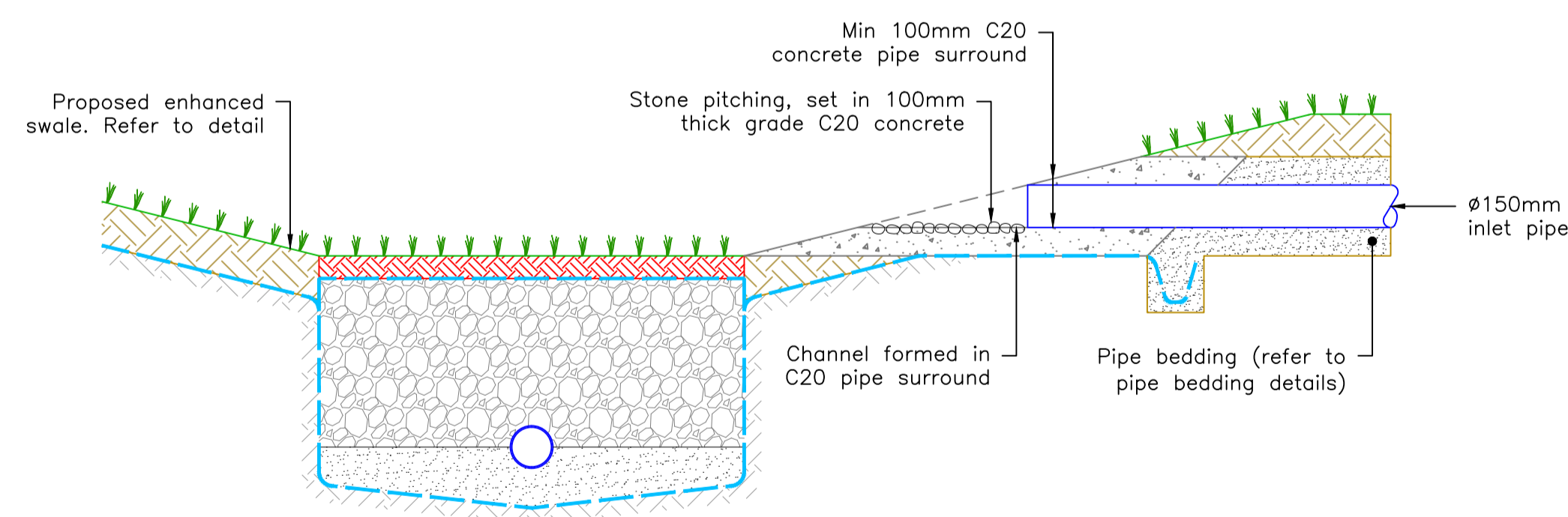


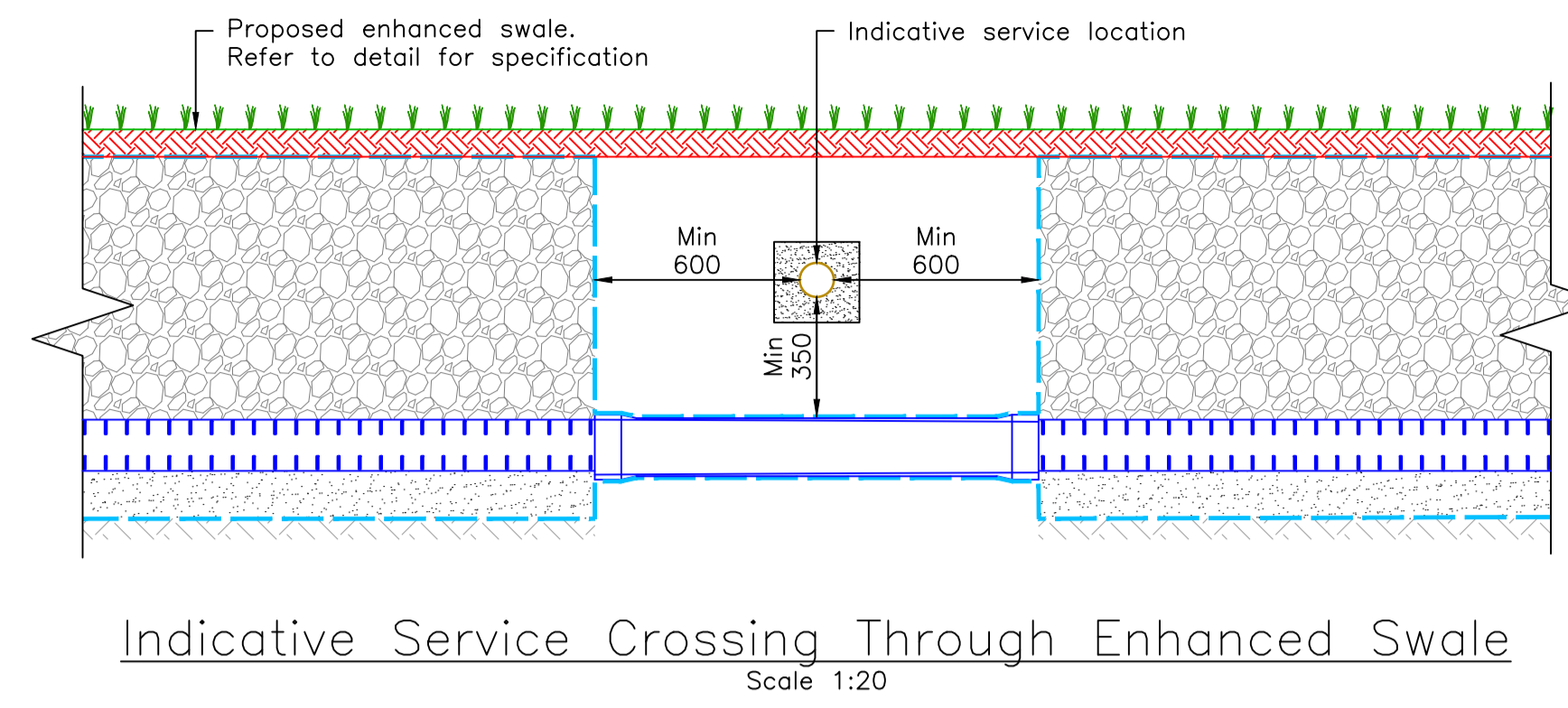
Typical Cross Section Through Enhanced Swale
Scale 1:20



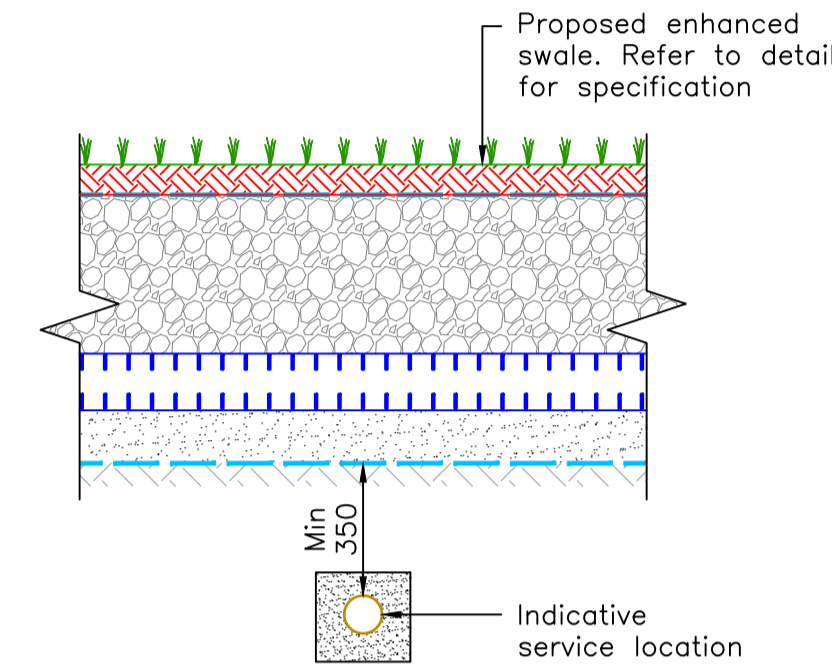
Typical Swale Check Dam Detail
Scale 1:20



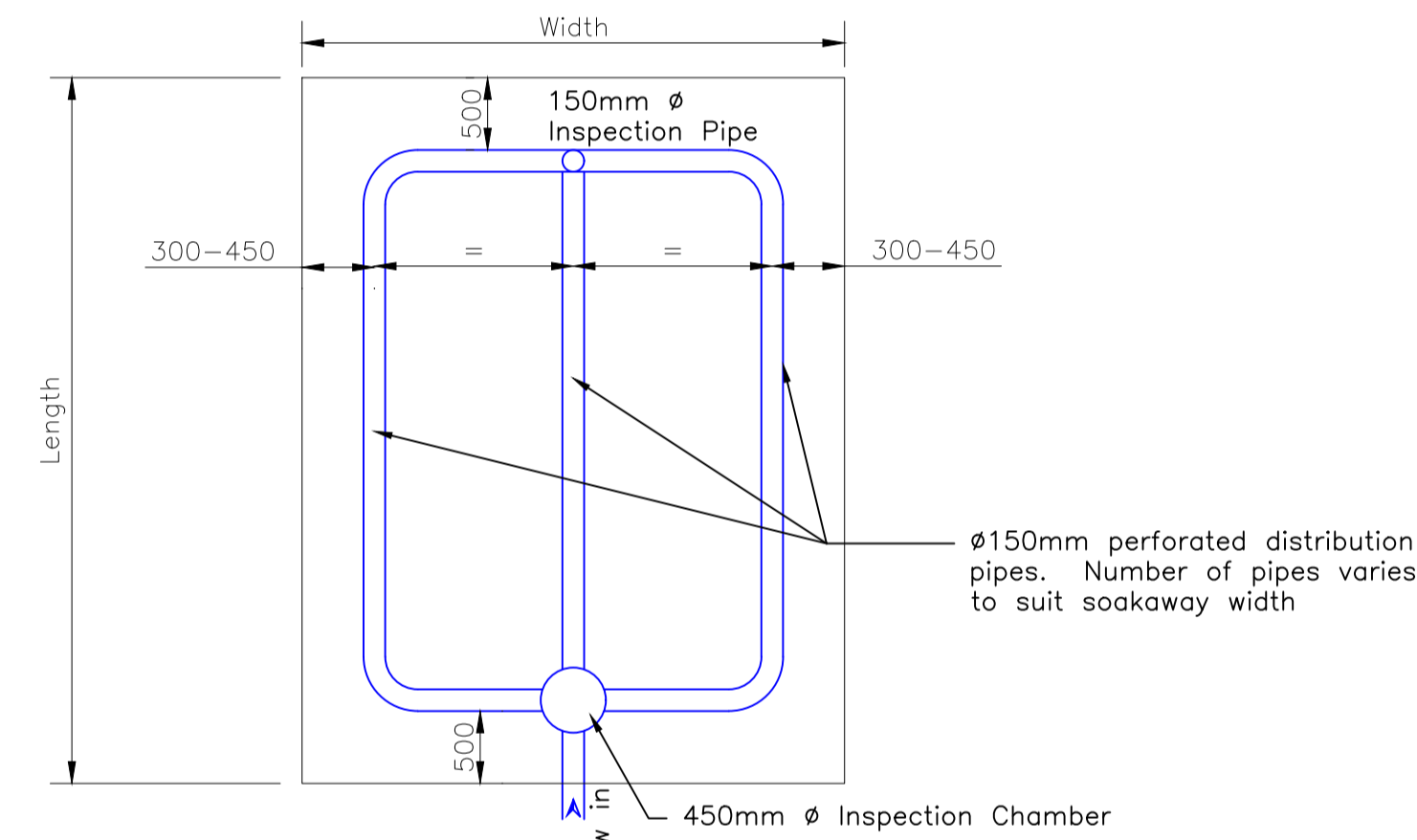
Typical Section Through Outfall to Swale
Scale 1:20



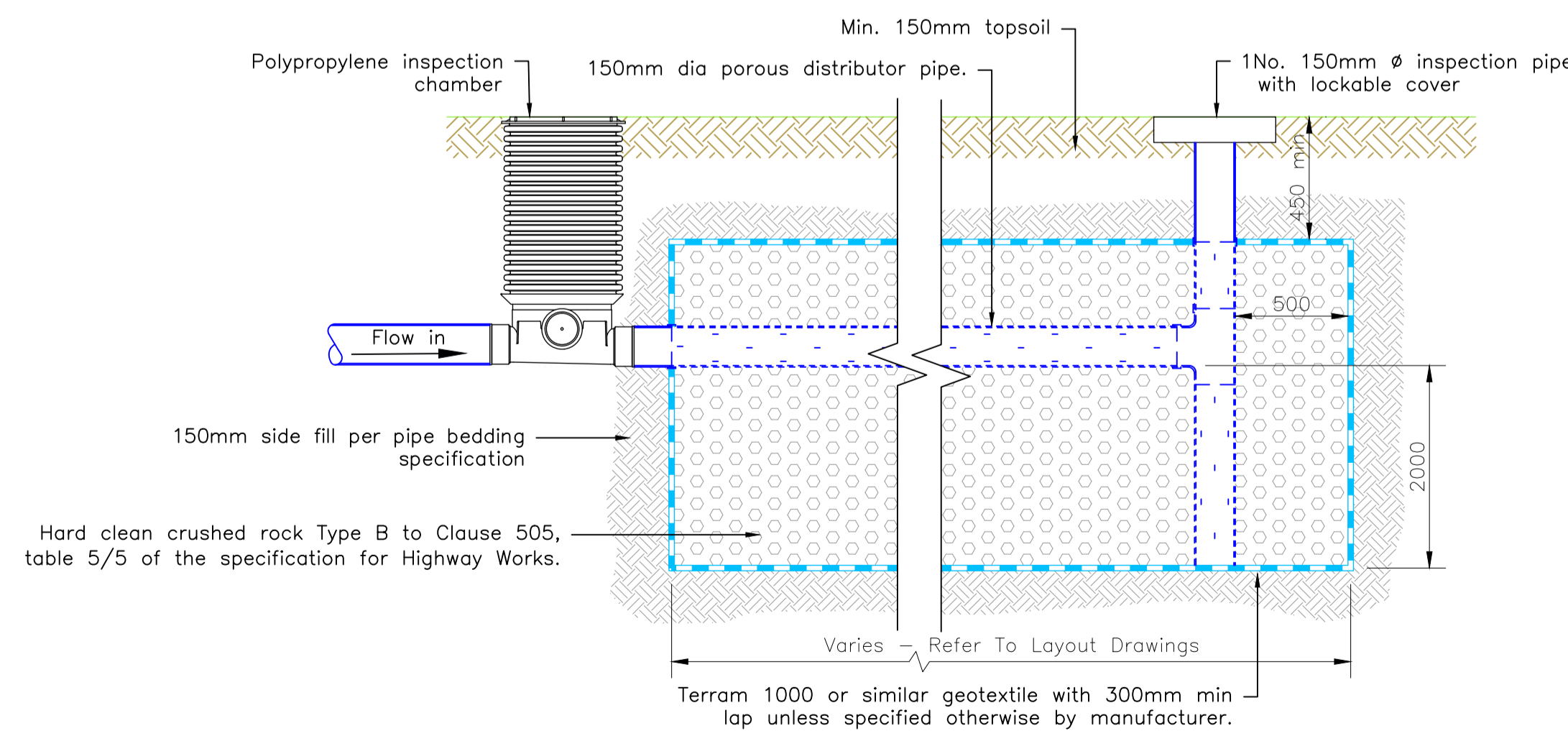
Indicative Service Crossing Through Enhanced Swale
Scale 1:20



Indicative Service Crossing Beneath Enhanced Swale
Scale 1:20



Typical Soakaway Distribution Pipe Plan
Scale 1:50



Soakaway dimensions based on a soil infiltration rate (f) = 2.15×10^{-5} m/sec as determined by Fairhurst's site investigation of 03/08/2023 in accordance with BRE Digest 365 with 30% free volume of fill material. Contractor to confirm infiltration rate and report any discrepancies to Engineer prior to the commencement of works.

Typical Surface Water Soakaway Longitudinal Section
Scale 1:20

Do not scale from this drawing.

SAFETY HEALTH AND ENVIRONMENTAL INFORMATION

IN ADDITION TO THE HAZARD/RISKS NORMALLY ASSOCIATED WITH THE TYPES OF WORK DETAILED ON THIS DRAWING, NOTE THE FOLLOWING RISKS AND INFORMATION.

RISKS LISTED HERE ARE NOT EXHAUSTIVE. REFER TO DESIGN ASSESSMENT FORM NO. DAF01

CONSTRUCTION:
LIVE PRIMARY ROUTE TRAFFIC (B9039). UTILITIES TO BE DIVERTED/PROTECTED

DEMOLITION:
NONE THAT WOULD NOT BE APPARENT TO A COMPETENT CONTRACTOR

FOR INFORMATION RELATING TO USE, CLEANING AND MAINTENANCE SEE THE HEALTH AND SAFETY FILE.

IT IS ASSUMED THAT ALL WORKS WILL BE CARRIED OUT BY A COMPETENT CONTRACTOR WORKING, WHERE APPROPRIATE, TO AN APPROVED METHOD STATEMENT.

- Notes:
1. Do not scale from this drawing, only written dimensions are to be used.
 2. This drawing is to be read in conjunction with all architectural and engineering drawings, details and specifications.
 3. All work to comply with Highland Council's Roads and Transport Guidelines for New Developments.
 4. Road signs and markings to be in accordance with the Traffic Signs Regulations And General Directions 2016.
 5. Any discrepancies should be reported to the engineer immediately so clarification can be sought.
 6. For clarity this drawing should only be printed and read in colour.

Rev.	Date	Description	Drawn	Chkd.	Appd.
A	19/12/23	Soakaway details added and kerb removed from enhanced swale.	AH	AH	AKF

Client:
FAIRHURST Castle Stuart Golf LLP

Elvie House
Beechwood Business Park
WINDRESS
IV2 3BW
Tel: 01463 724 544
Fax: 0844 381 4412

CABOT

Project Title:
Cabot Highlands

Drawing Title:
Upgraded Access Typical Drainage Construction Details
Sheet 2 of 2

Scale at A1: As Shown	Status: Road Construction Consent
Drawn: HF	Checked: AH
Date: 23/10/2023	Date: 23/10/2023
Approved: AKF	Date: 23/10/2023

Drawing No.: 154163-PC-2111
Revision: A