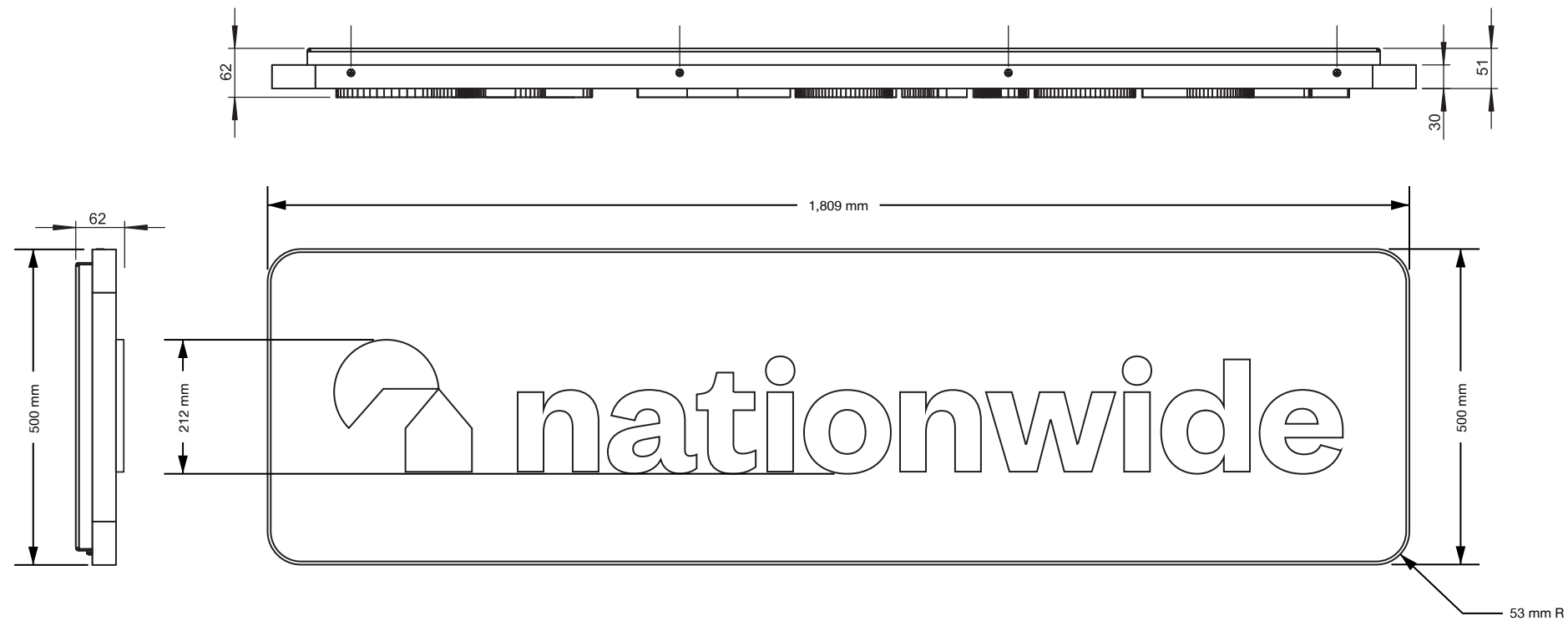


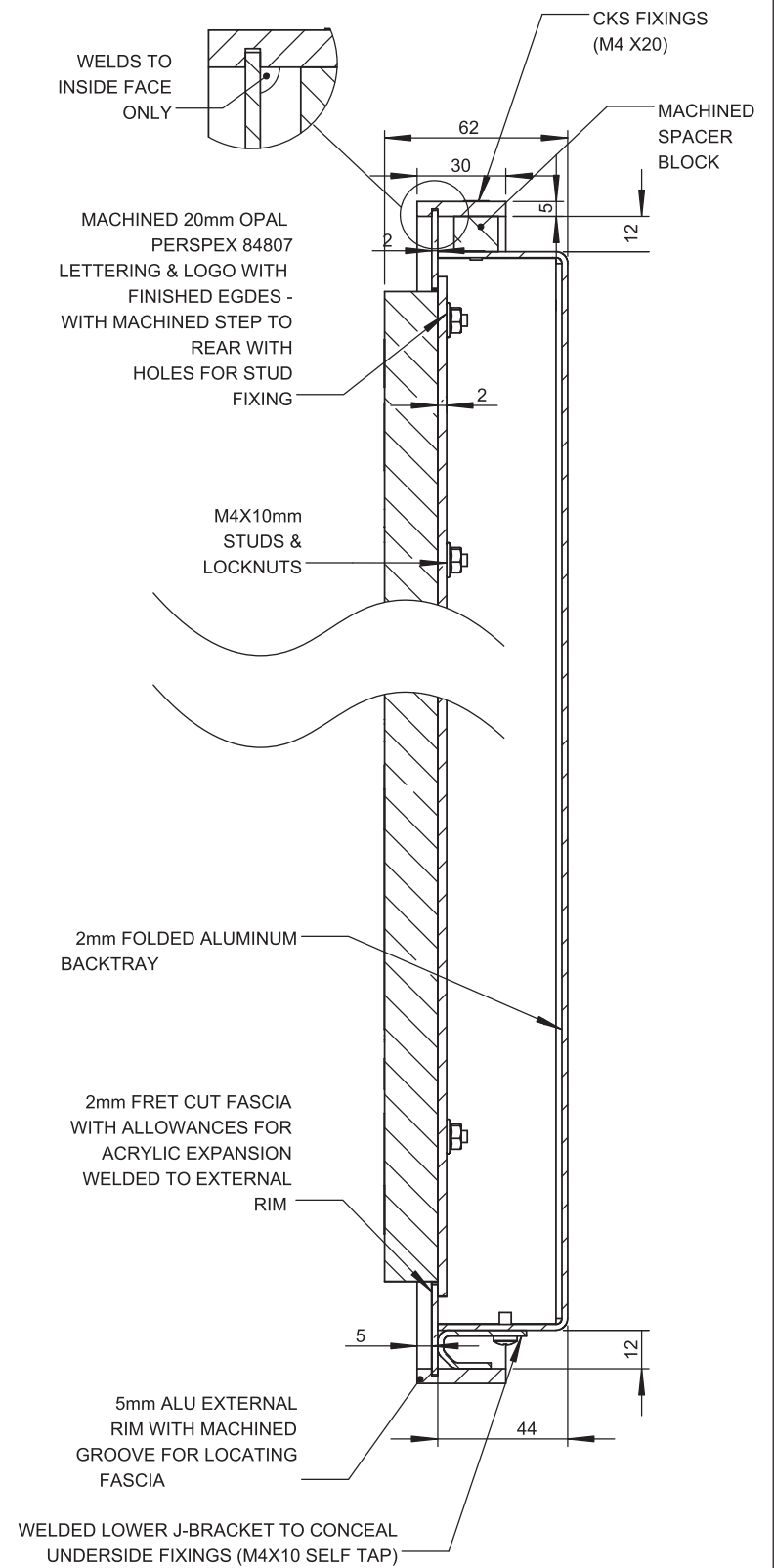
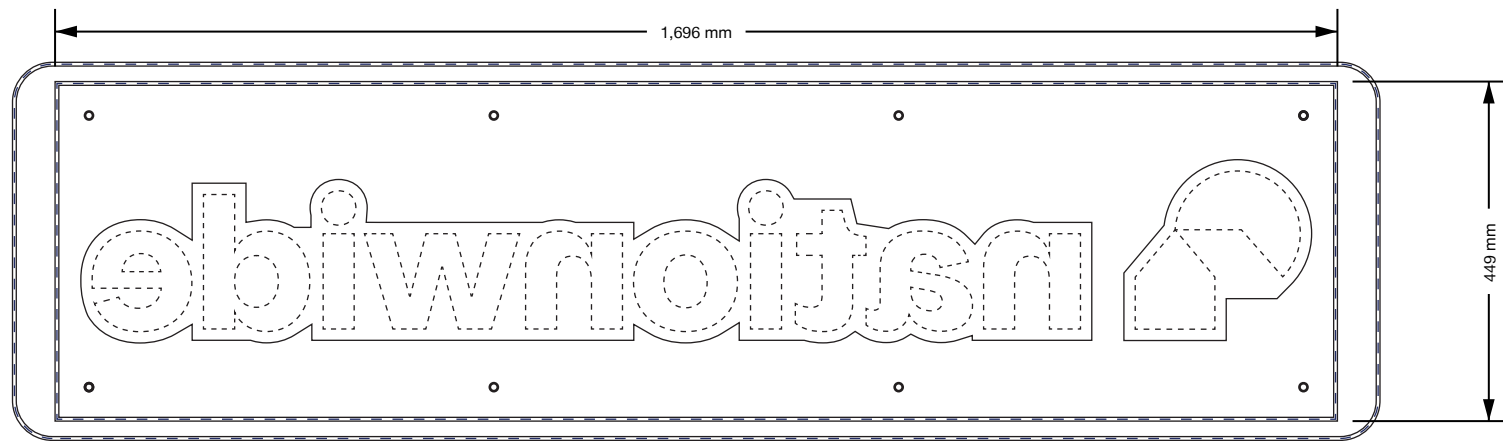
ALL CNC / LASER CUT ELEMENTS AS DXF PROFILES SUPPLIED

CLIENT: NATIONWIDE		DO NOT SCALE THIS DRAWING DEBUR AND BREAK SHARP EDGES ALL DIMENSIONS ARE IN MILLIMETERS	
DRAWING TITLE: LOZENGE SIGN - MANUFACTURING DETAIL		BSI ACCREDITATION: ENVIRONMENTAL MANAGEMENT CERTIFICATE NO. FS542208 QUALITY MANAGEMENT CERTIFICATE NO. FS93787	
DRAWING No:		TOLERANCES: General plus or minus 0.25mm unless specified. Hole centres plus or minus 0.15mm.	
FINISH: See drawing notes		COPYRIGHT © 2018/9 - The details shown on this drawing are confidential and are the exclusive property of Principle Group of Companies. No use, copy or is closure of this drawing may be made without written permission and it is to be returned to Principle Group of Companies upon request.	
DRAWN BY: BGREENWOOD		No company or person(s) are to manufacture from the drawings without carrying out full due diligence audit of them including (but not limited to) engineering, quality and compliance with applicable national and international standards and health and safety regulations, before using this information for the purposes of manufacture, or conveyance to others for the purposes of manufacture. No liability is accepted in any form for the use of these drawings by others.	
DATE: 23.10.23	WEIGHT: TBC	A3	ISSUE: REVISION: -





NB- LETTER & LOGO RETURNS
MASKED & FINISHED BLUE
TO MATCH FASCIA



ALL CNC / LASER CUT ELEMENTS AS DXF PROFILES SUPPLIED

CLIENT: NATIONWIDE		DO NOT SCALE THIS DRAWING DEBUR AND BREAK SHARP EDGES ALL DIMENSIONS ARE IN MILLIMETERS	
DRAWING TITLE: LOZENGE SIGN - MANUFACTURING DETAIL		BSI ACCREDITATION: ENVIRONMENTAL MANAGEMENT CERTIFICATE NO. FS542208 QUALITY MANAGEMENT CERTIFICATE NO. FS93787	
DRAWING No:		TOLERANCES: General plus or minus 0.25mm unless specified. Hole centres plus or minus 0.15mm.	
FINISH: See drawing notes		COPYRIGHT © 2018/9 - The details shown on this drawing are confidential and are the exclusive property of Principle Group of Companies. No use, copy or is closure of this drawing may be made without written permission and it is to be returned to Principle Group of Companies upon request.	
DRAWN BY: BGREENWOOD		No company or person(s) are to manufacture from the drawings without carrying out full due diligence audit of them including (but not limited to) engineering, quality and compliance with applicable national and international standards and health and safety regulations, before using this information for the purposes of manufacture, or conveyance to others for the purposes of manufacture. No liability is accepted in any form for the use of these drawings by others.	
DATE: 23.10.23	WEIGHT: TBC	A3	ISSUE: REVISION: -

