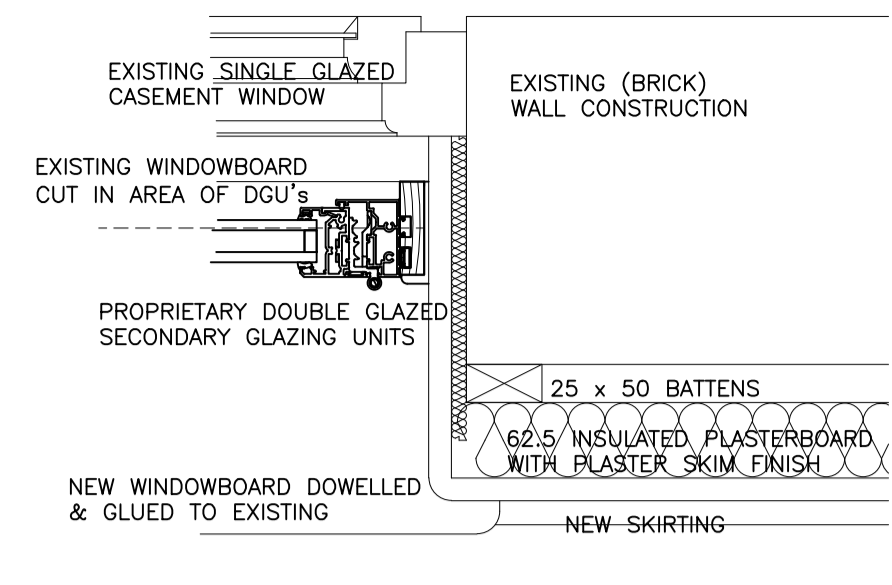
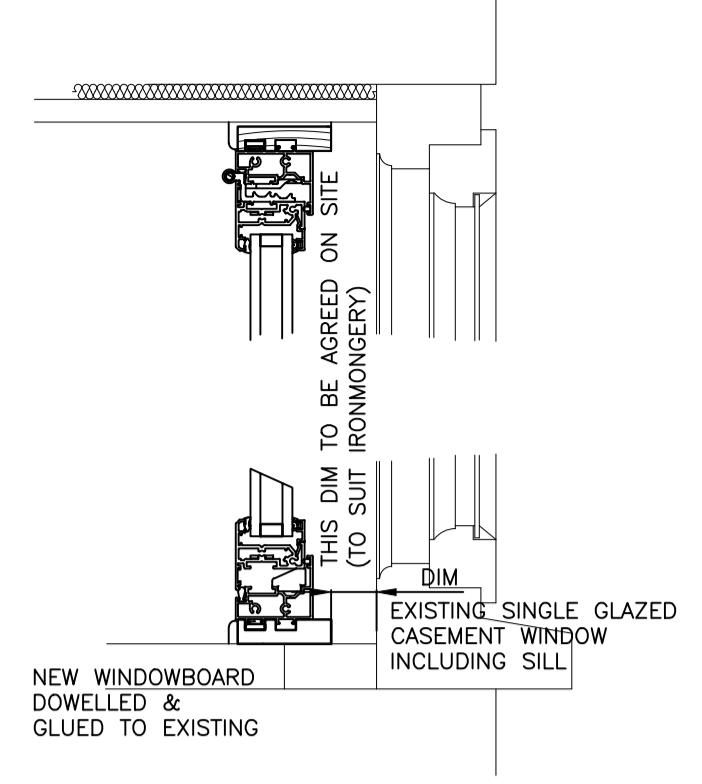


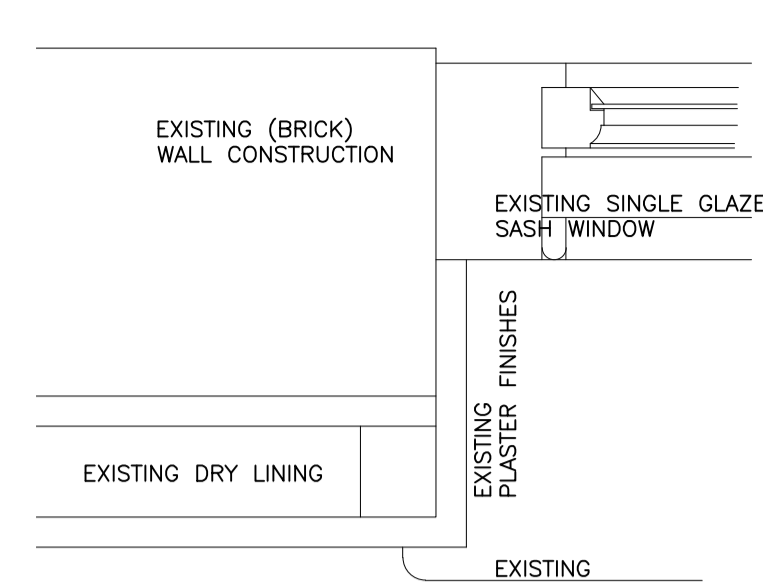
EXISTING WALL BUILD-UP (ASSUMED)



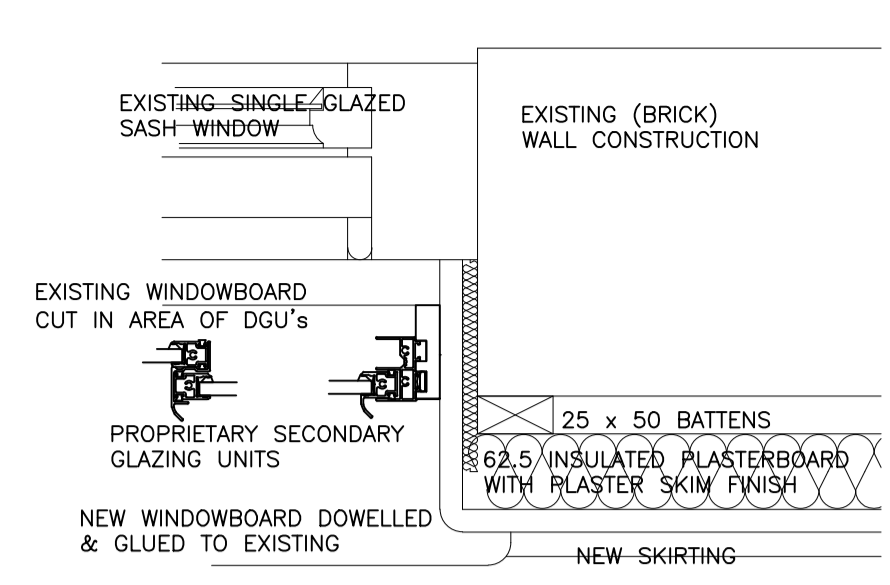
PROPOSED WALL BUILD-UP



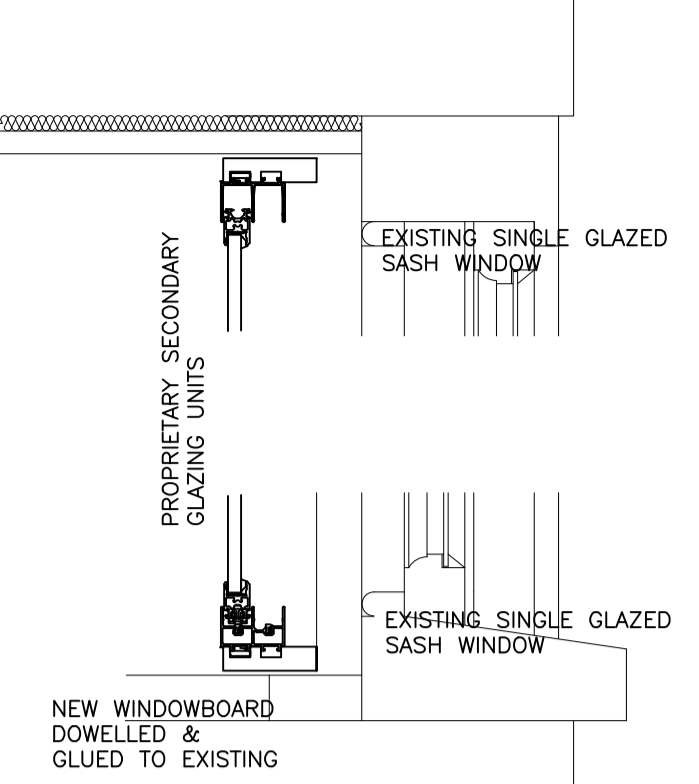
NEW WINDOWBOARD DOWELLED & GLUED TO EXISTING



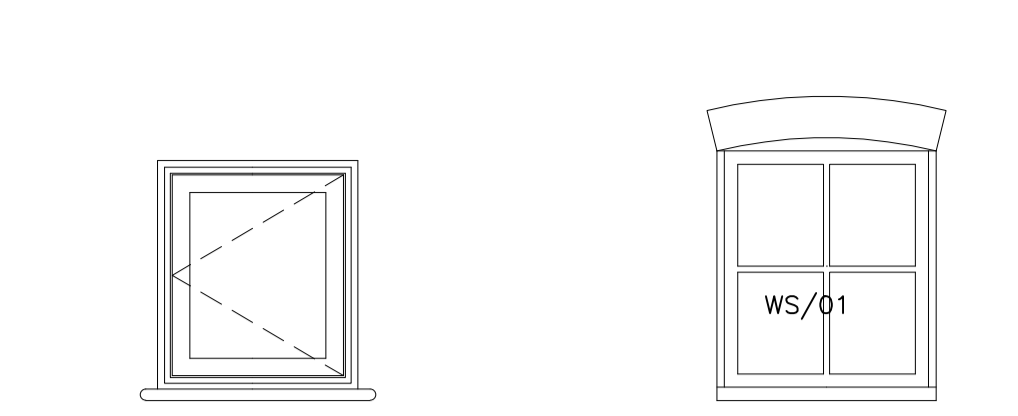
EXISTING WALL BUILD-UP (ASSUMED)



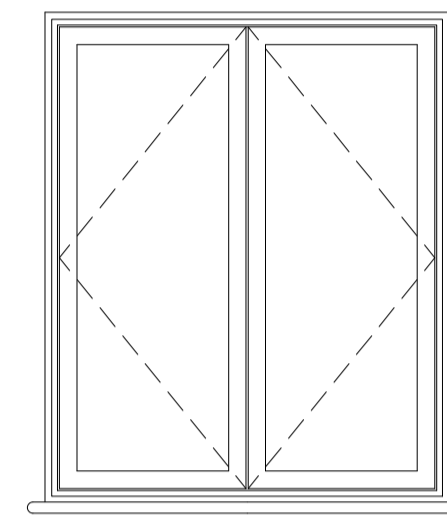
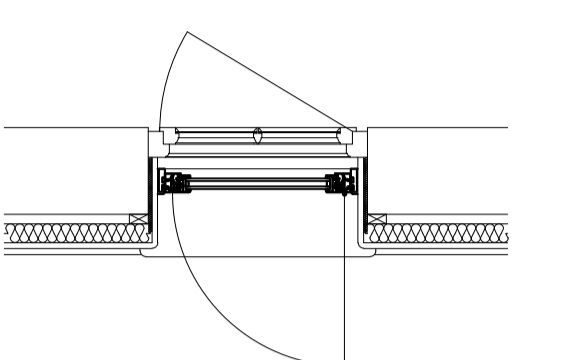
PROPOSED WALL BUILD-UP



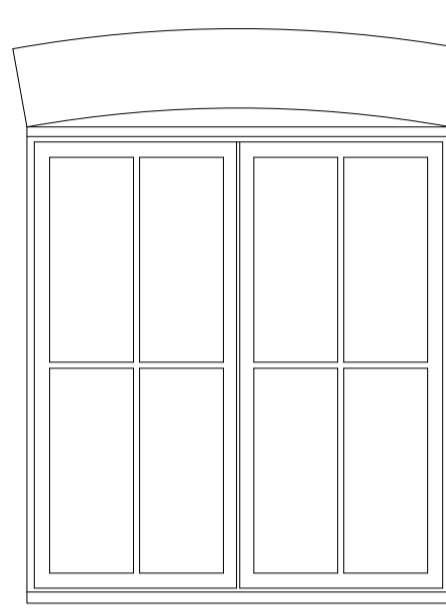
NEW WINDOWBOARD DOWELLED & GLUED TO EXISTING



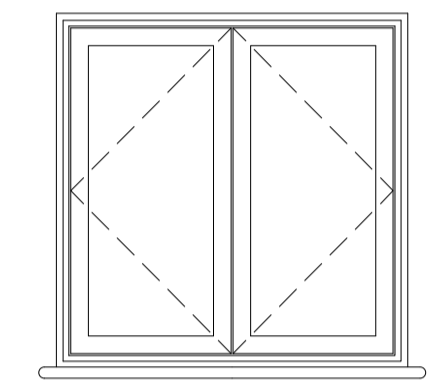
INTERNAL ELEVATION OF WF/04



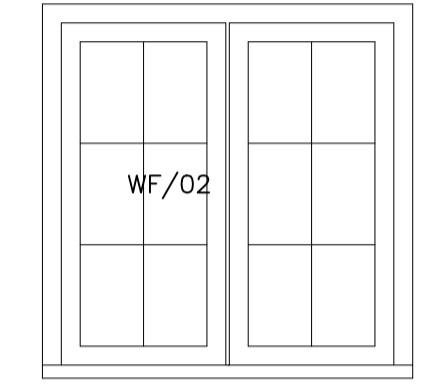
INTERNAL ELEVATION OF WF/01



EXTERNAL ELEVATION OF WF/01

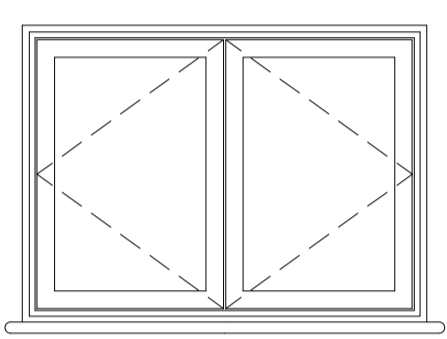


INTERNAL ELEVATION OF WF/02

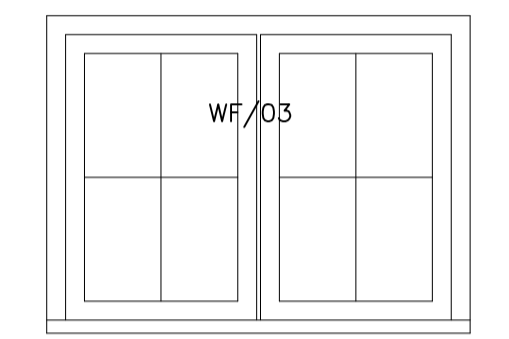


INTERNAL ELEVATION OF WF/02

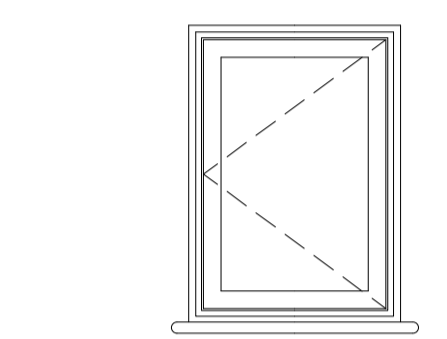
1:20 SCALE TEXT FONT SIZE 30



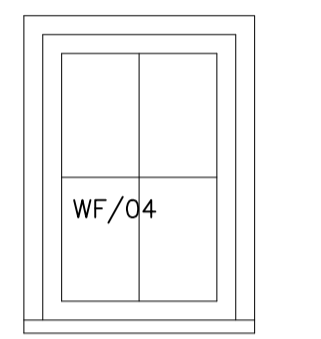
INTERNAL ELEVATION OF WF/03



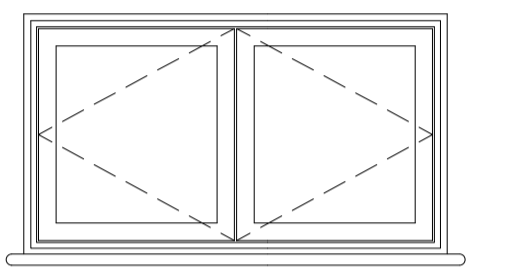
INTERNAL ELEVATION OF WF/03



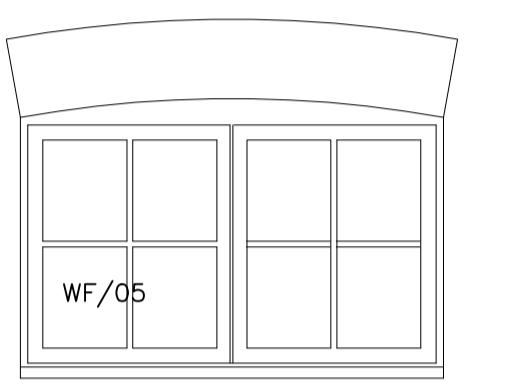
INTERNAL ELEVATION OF WF/04



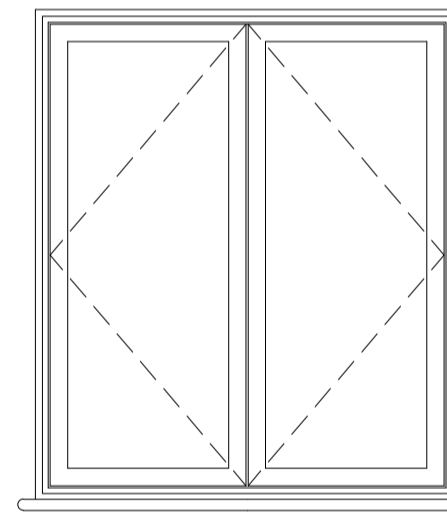
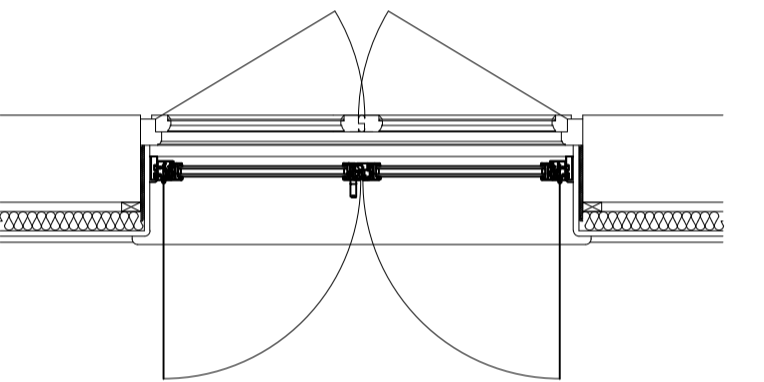
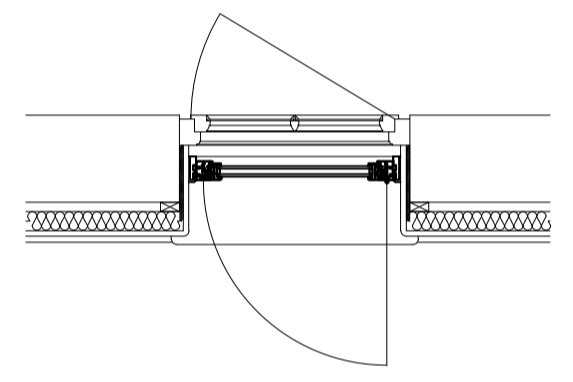
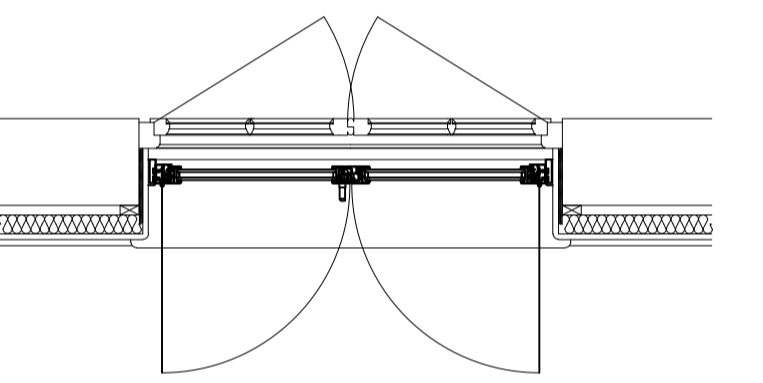
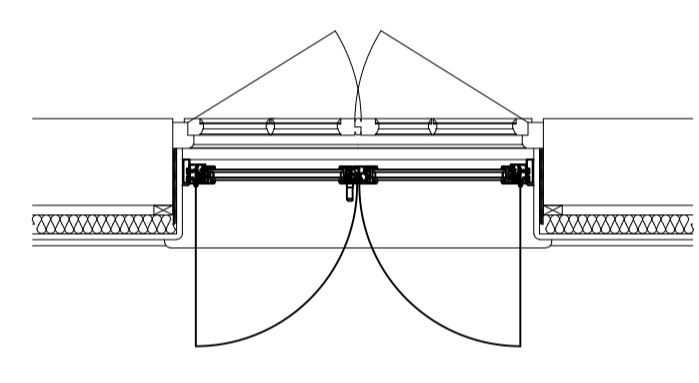
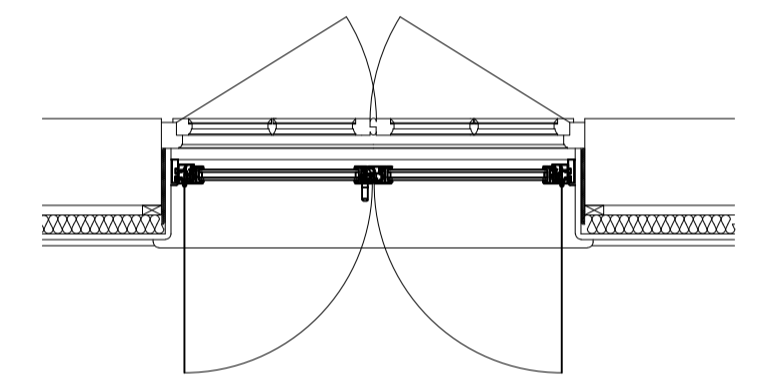
INTERNAL ELEVATION OF WF/04



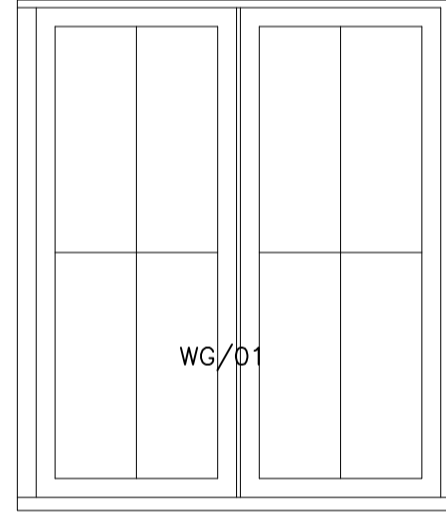
INTERNAL ELEVATION OF WF/05



EXTERNAL ELEVATION OF WF/05

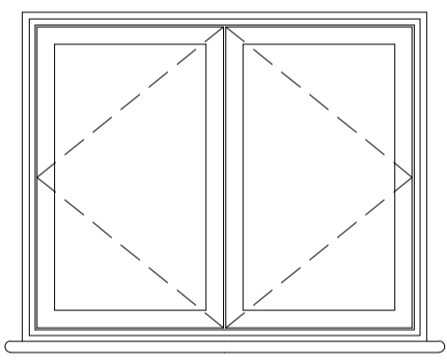


INTERNAL ELEVATION OF WG/01

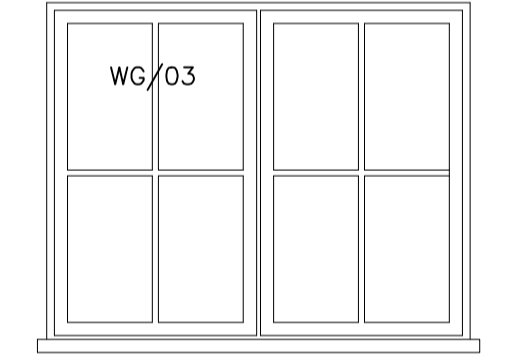


EXTERNAL ELEVATION OF WG/01

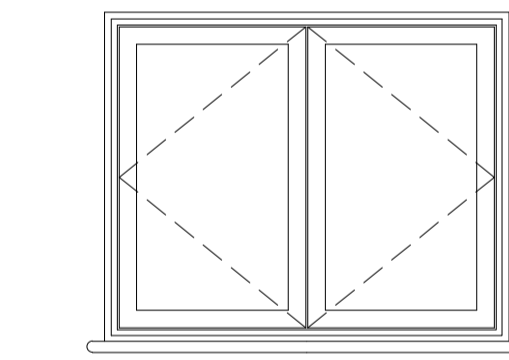
IMPORTANT NOTE
THIS DRAWING HAS BEEN PREPARED FOR TENDERING PURPOSES. CONTRACTOR IS TO CHECK ALL SIZES OF EXISTING OPENINGS PRIOR TO MANUFACTURE. ARCHITECT TO BE NOTIFIED OF ANY MAJOR DIMENSIONAL VARIATIONS



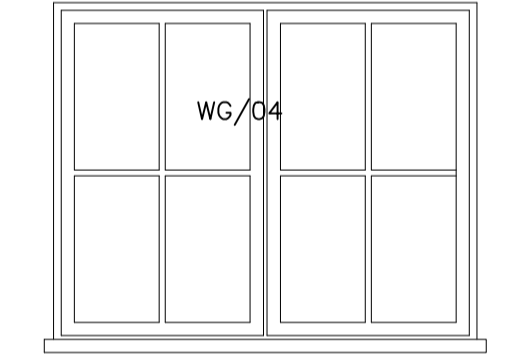
INTERNAL ELEVATION OF WG/03



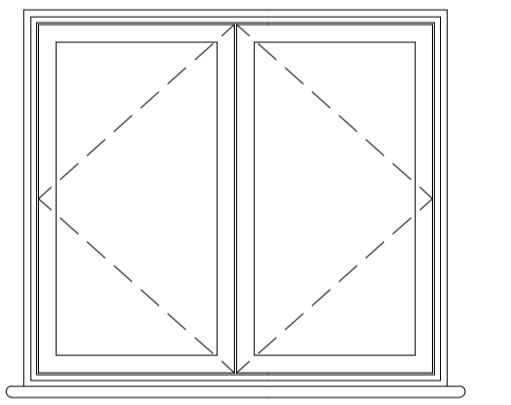
INTERNAL ELEVATION OF WG/03



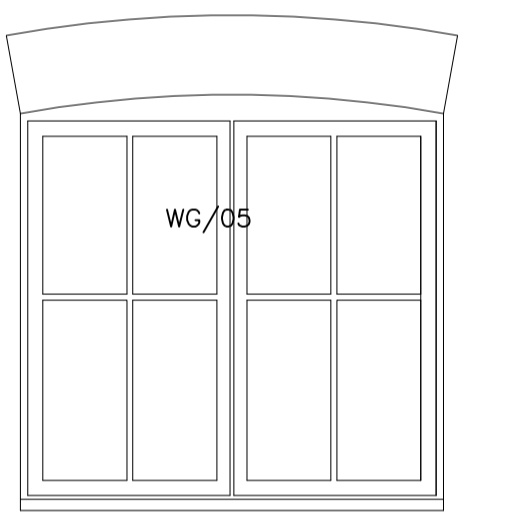
INTERNAL ELEVATION OF WG/04



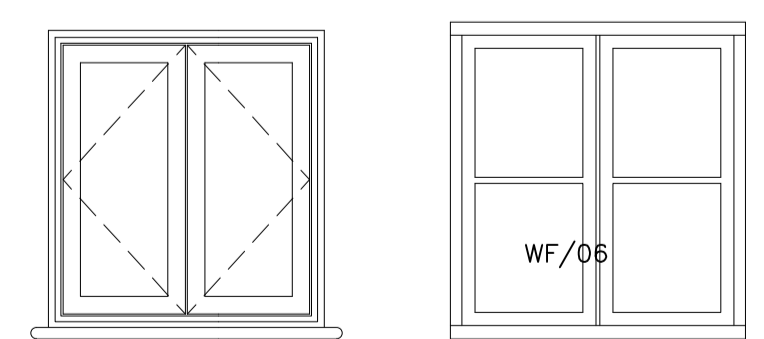
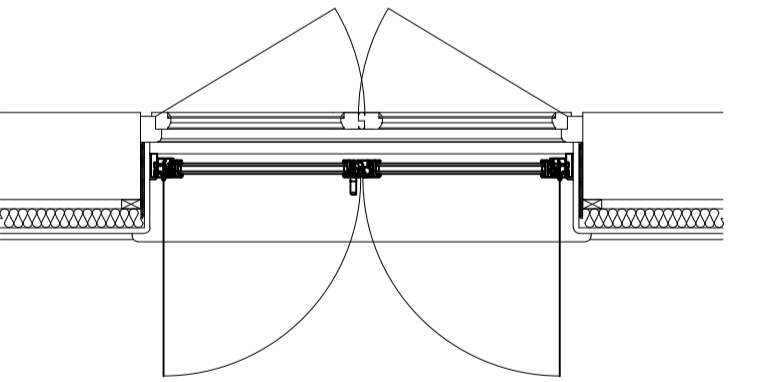
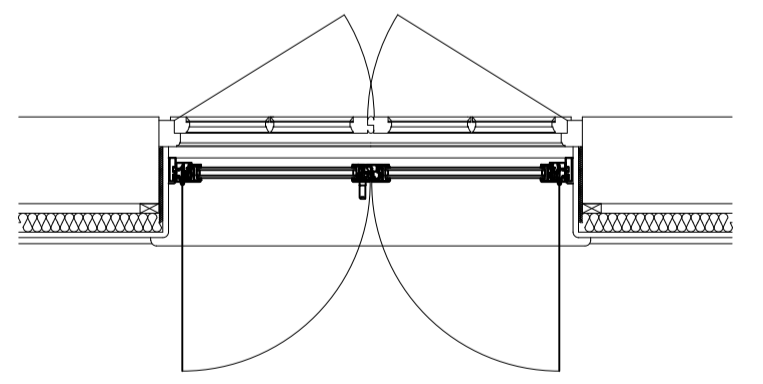
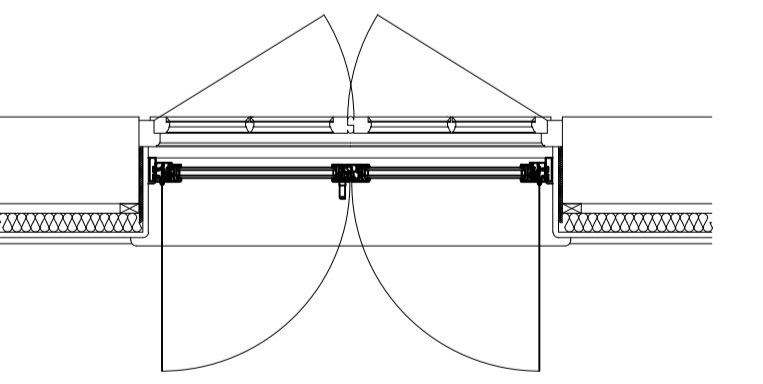
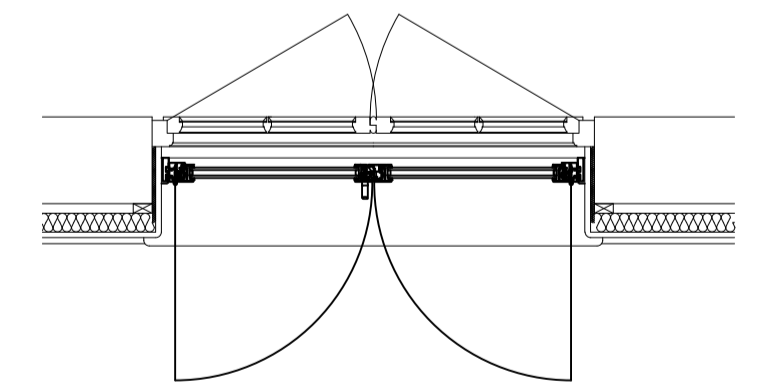
INTERNAL ELEVATION OF WG/04



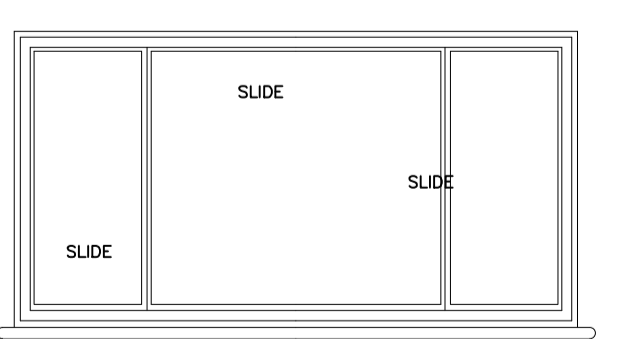
INTERNAL ELEVATION OF WG/05



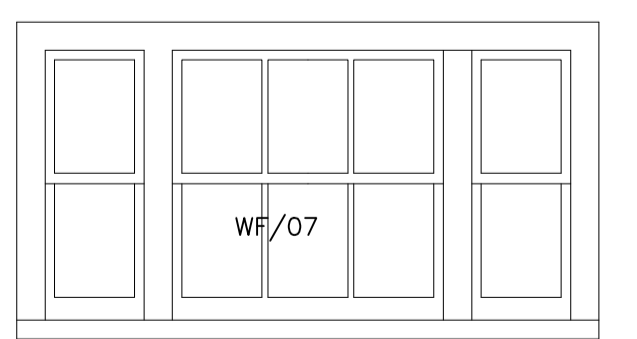
EXTERNAL ELEVATION OF WG/05



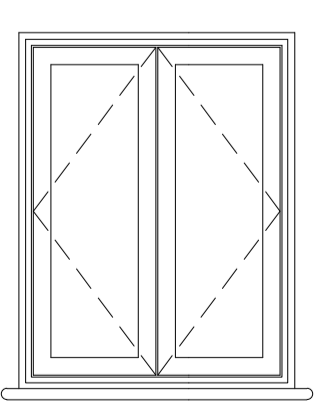
INTERNAL ELEVATION OF WF/06



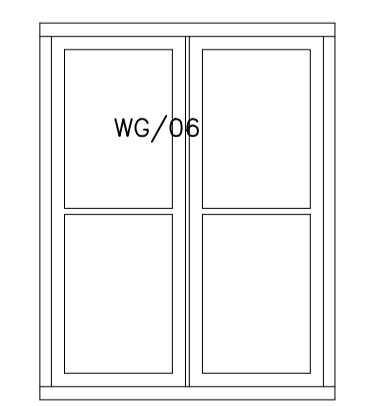
INTERNAL ELEVATION OF WF/07



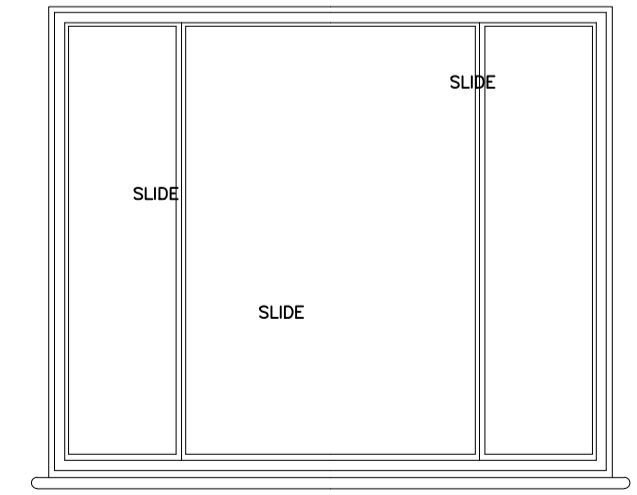
INTERNAL ELEVATION OF WF/07



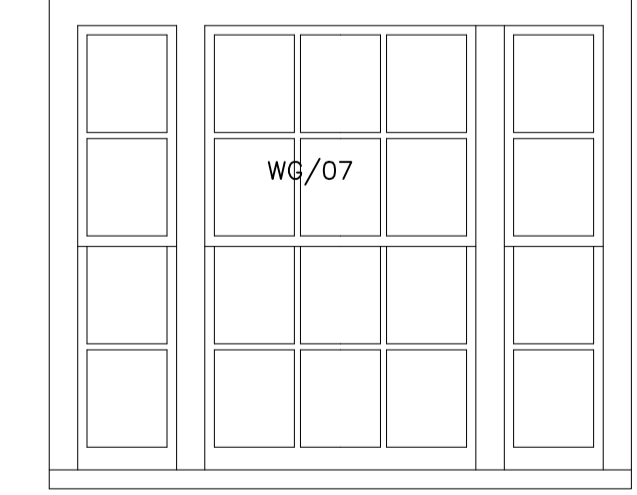
INTERNAL ELEVATION OF WG/06



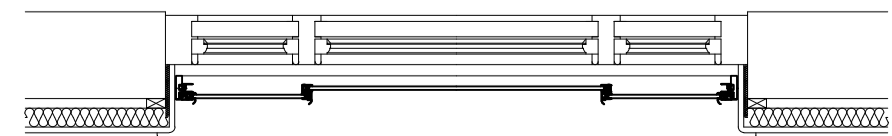
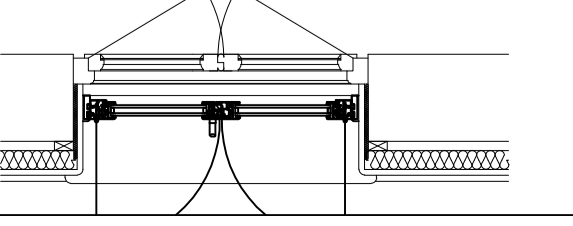
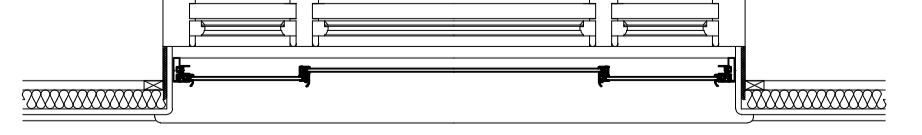
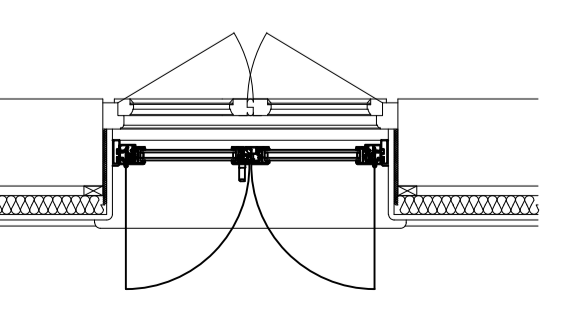
INTERNAL ELEVATION OF WG/06



INTERNAL ELEVATION OF WG/07



INTERNAL ELEVATION OF WG/07



CORN HALL, BURES, SUFFOLK for Mr & Mrs R SHELLY				SECONDARY GLAZING DETAILS			
Drawn	SA	Scale	Date	Job No.	Drawing No.	Rev.	
Checked		1:20,	May	1251	3/7	P1	
Approved		1:5	2023				
RODNEY BLACK DESIGN STUDIOS ARCHITECTS, INTERIOR & LANDSCAPE DESIGNERS Gun Hill House Ipswich Road Dedham Colchester CO7 6HR Tel 01206 322800 Fax 01206 322088 Email architecture@rodneyblackdesignstudios.co.uk Rodney Black Design Studios Limited Registered Office Gun Hill House Dedham							Size A1 The subject matter of this drawing is COPYRIGHT and MUST NOT BE SCALED
FULL SIZE PLOT CHECK SCALE 0 10 20 30 40 50 60							