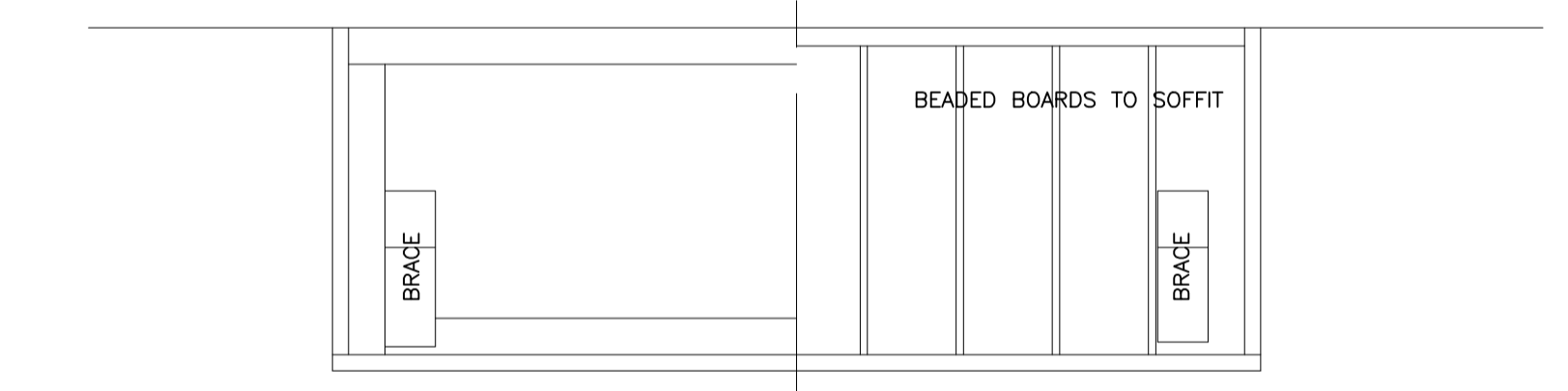
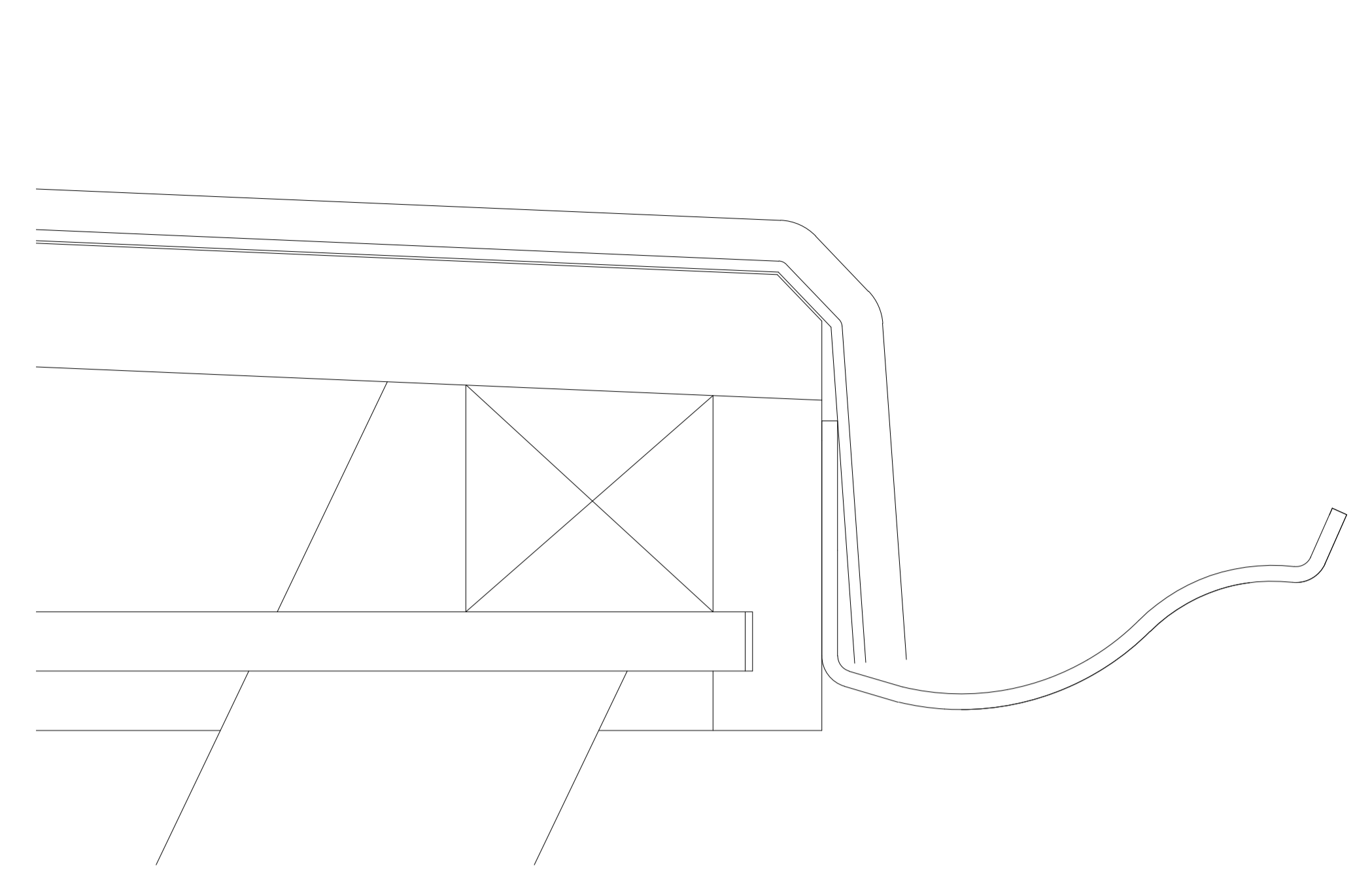
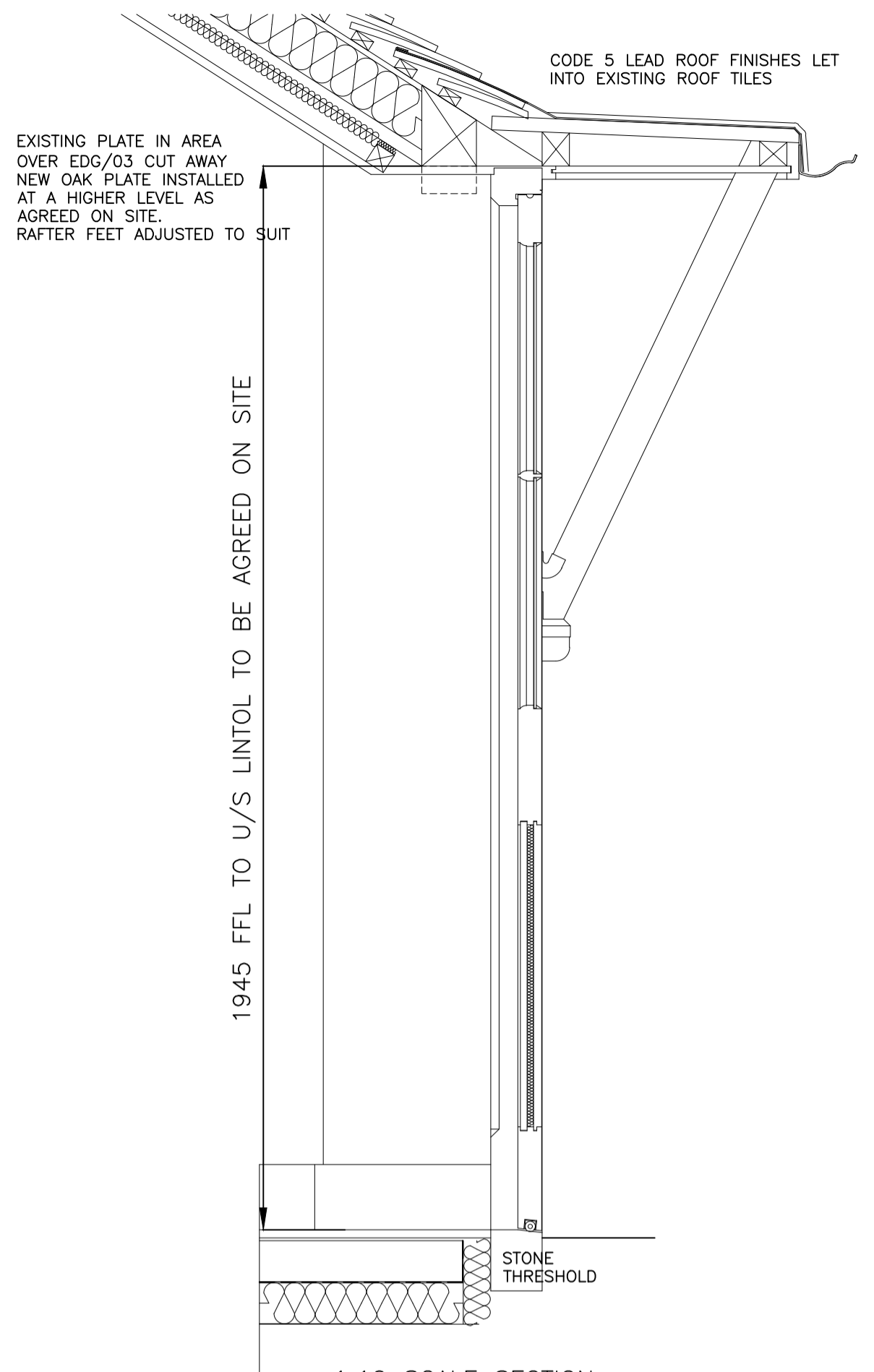
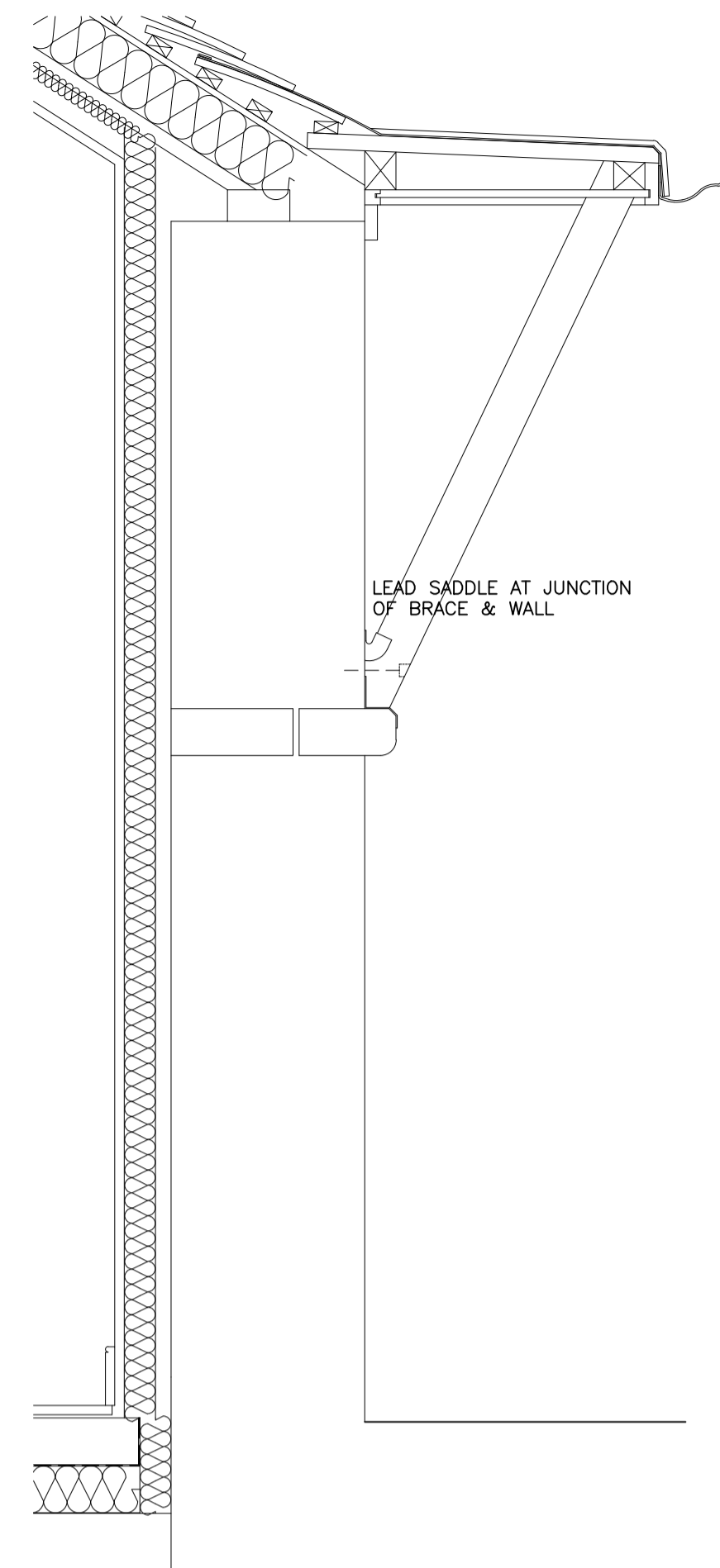
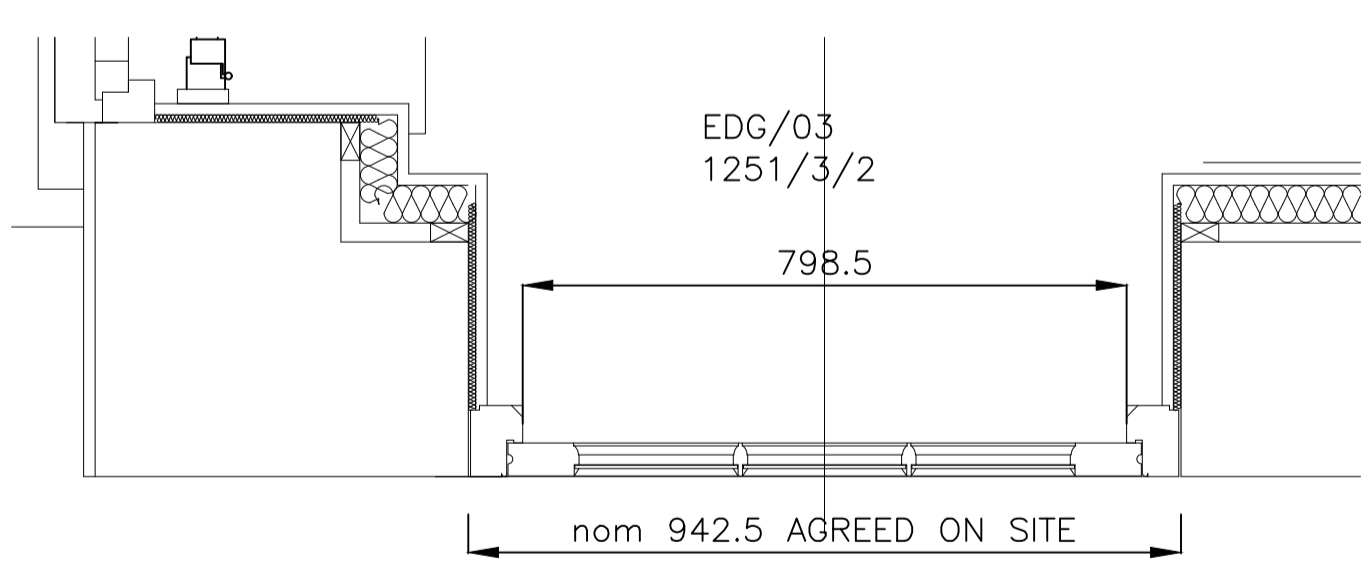




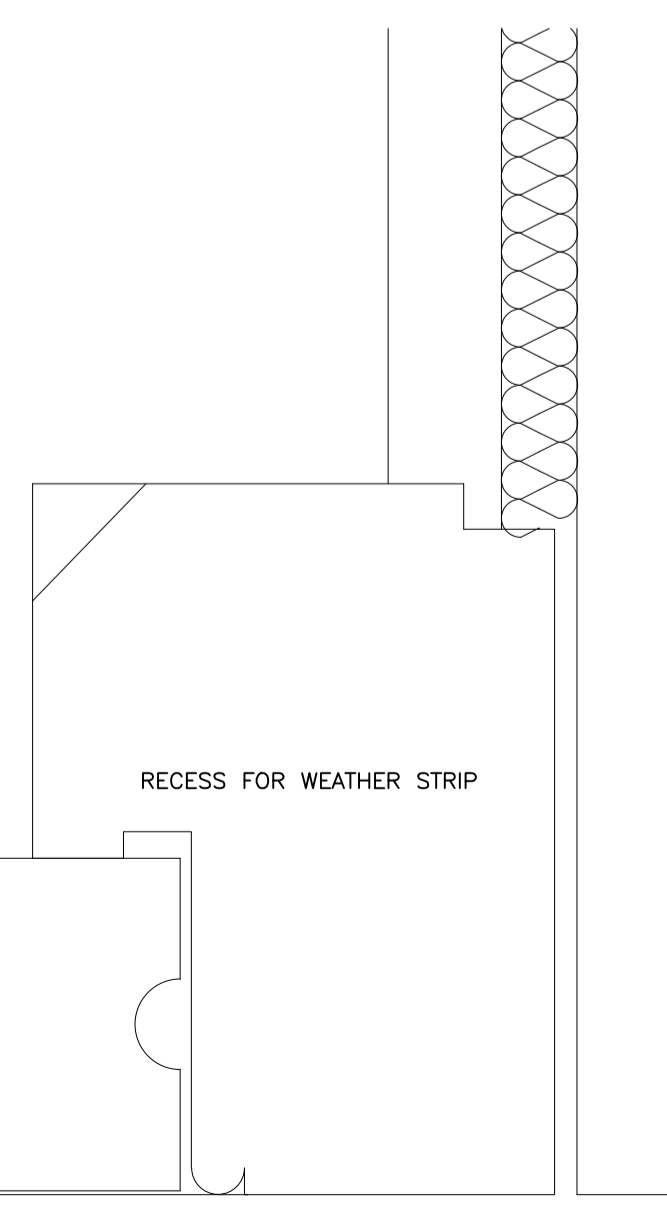
1:10 SCALE ELEVATION OF EDG/03



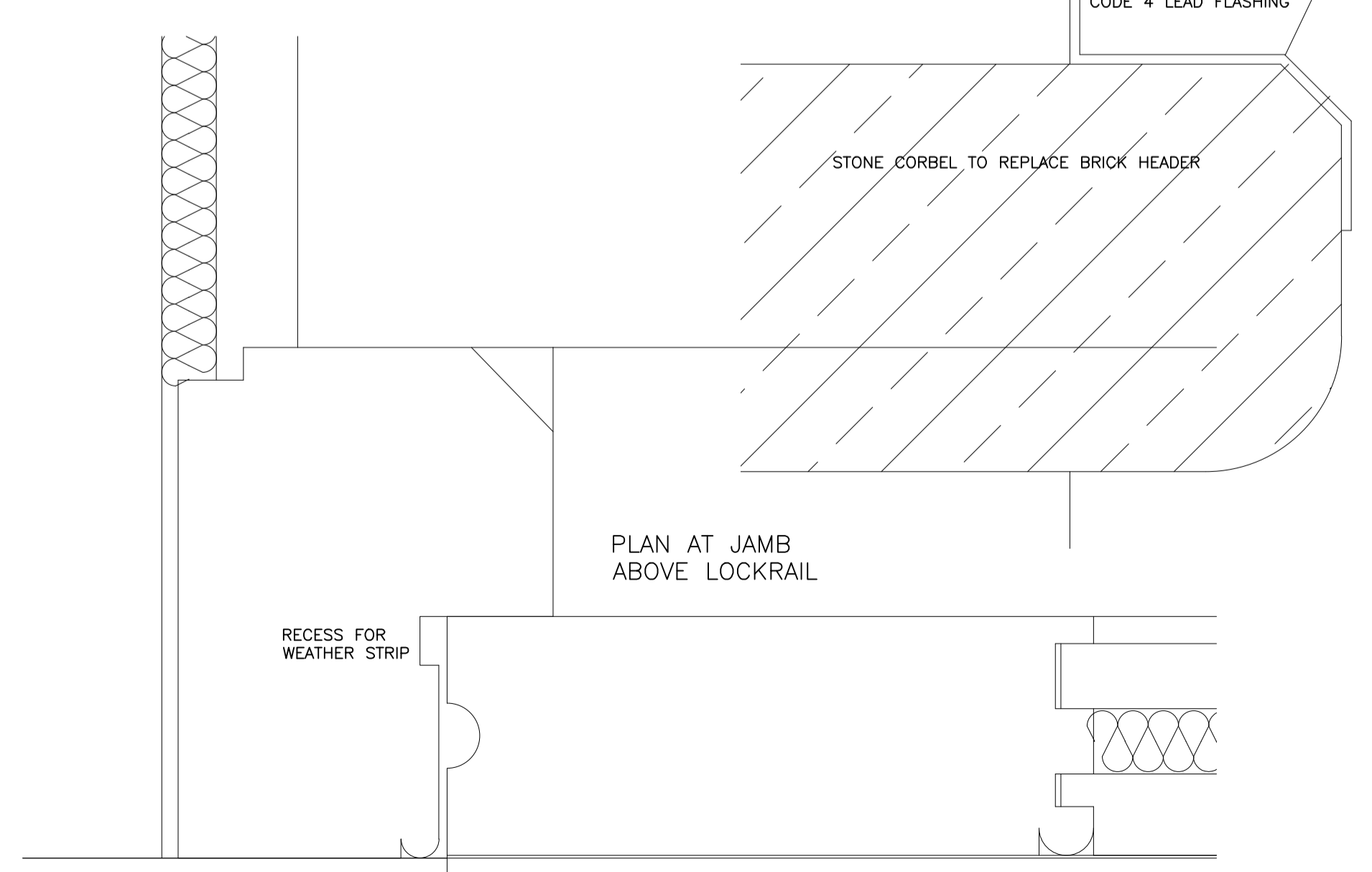
1:10 SCALE PLAN LOOKING UP SHOWING STRUCTURE SHOWING FINISHES



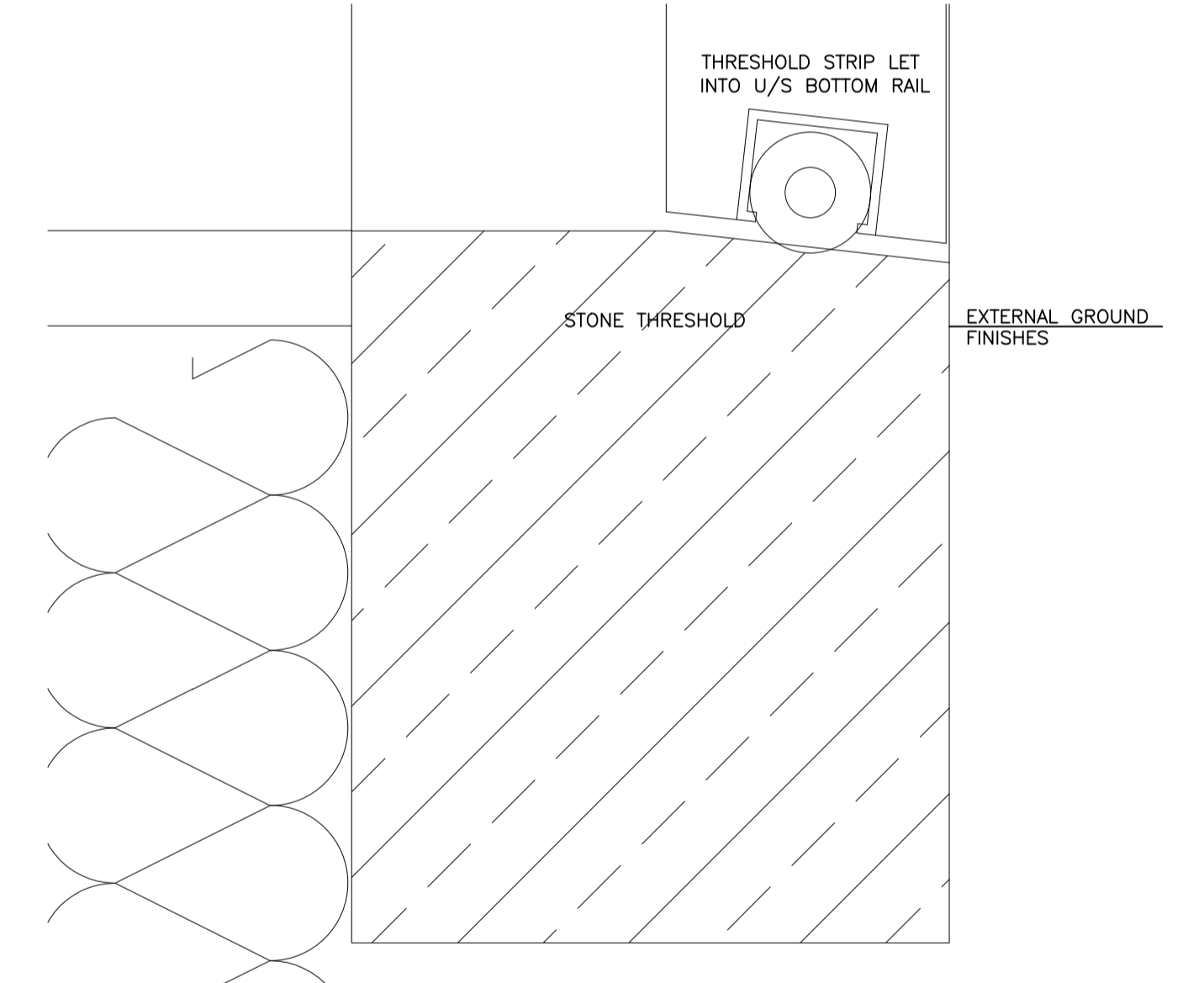
1:10 SCALE PLAN BELOW LOCKRAIL ABOVE LOCKRAIL



PLAN AT JAMB ABOVE LOCKRAIL



PLAN AT JAMB ABOVE LOCKRAIL



CORN HALL COTTAGE BURES, SUFFOLK for Mr & Mrs R SHELLEY				EDG/03 DETAILS			
Drawn	SA	Scale	Date	Job No.	Drawing No.	Rev.	
Checked		1:10,	Jan.	1251	3/2	P1	
Approved		F.S.	2023				
RODNEY BLACK DESIGN STUDIOS ARCHITECTS, INTERIOR & LANDSCAPE DESIGNERS Gun Hill House Ipswich Road Dedham Colchester CO7 6HR Tel 01206 322800 Fax 01206 322088 Email architecture@rodneyblackdesignstudios.co.uk Rodney Black Design Studios Limited Registered Office: Gun Hill House, Dedham							Size
The subject matter of this drawing is COPYRIGHT and MUST NOT BE SCALED							A1
FULL SIZE PLOT CHECK SCALE 0 10 20 30 40 50 100							