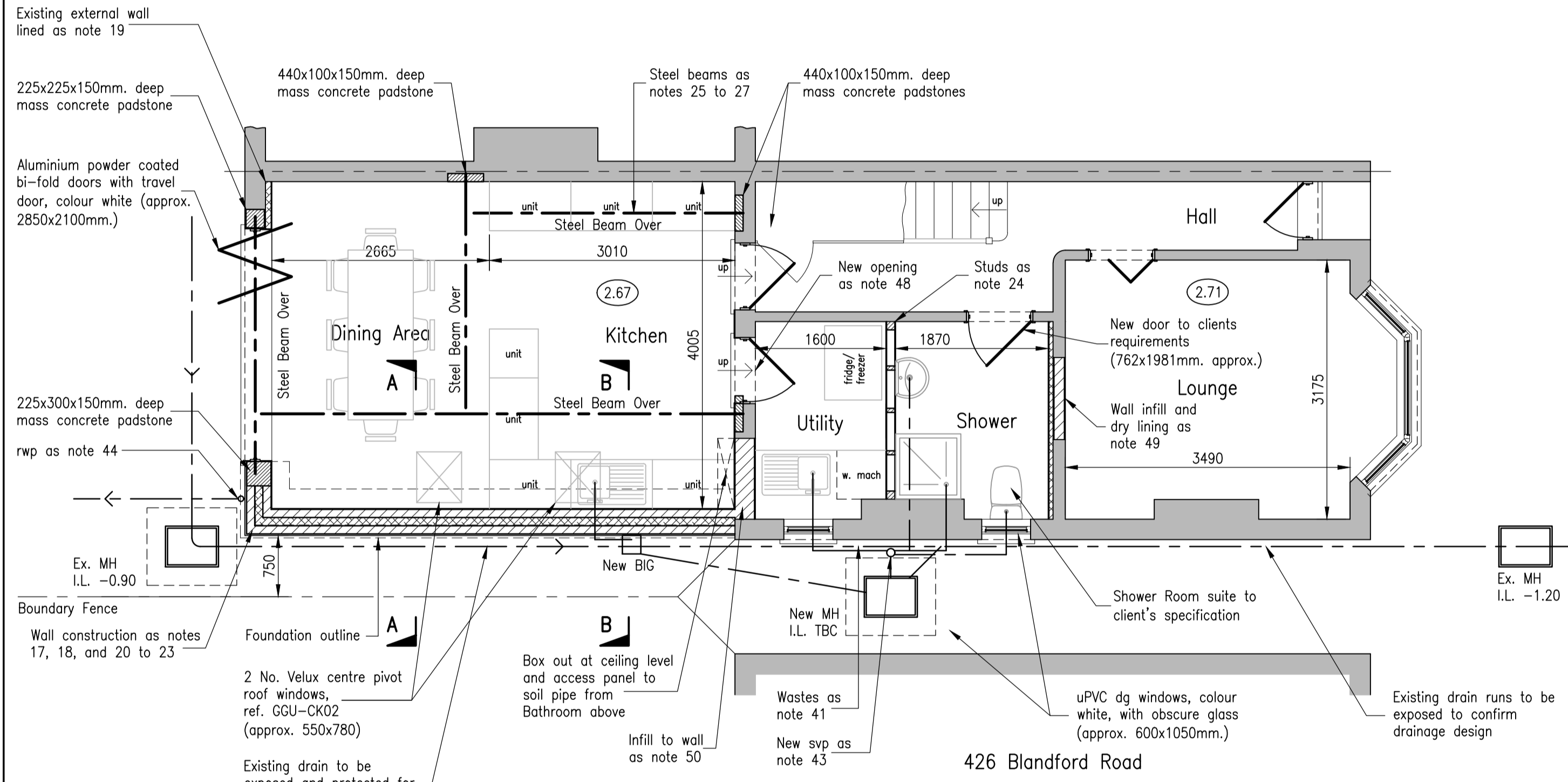
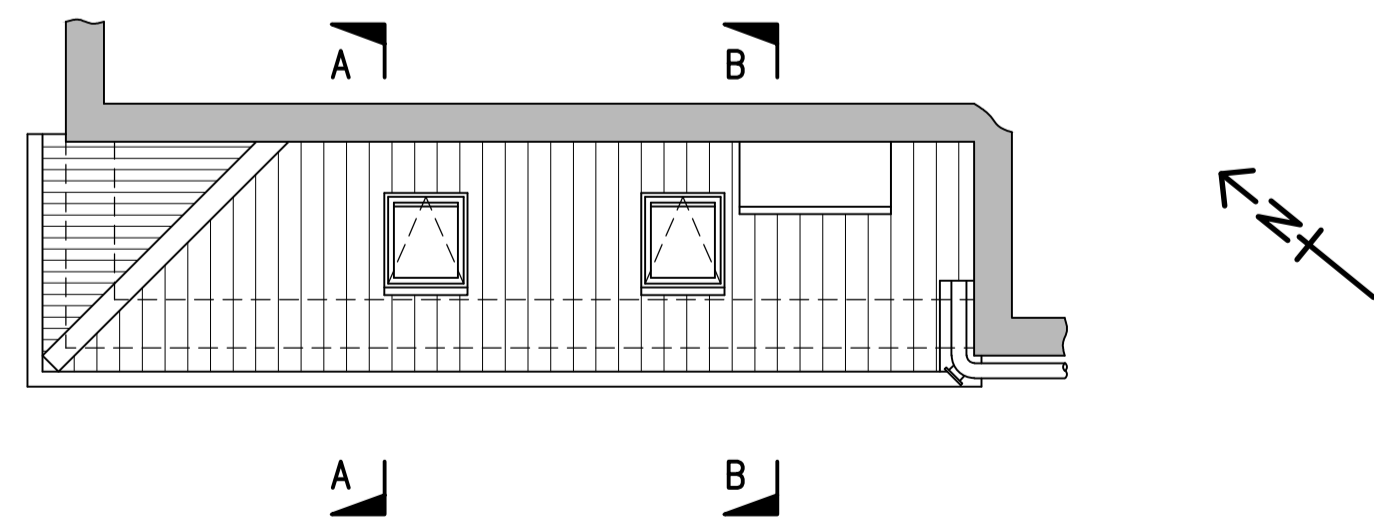


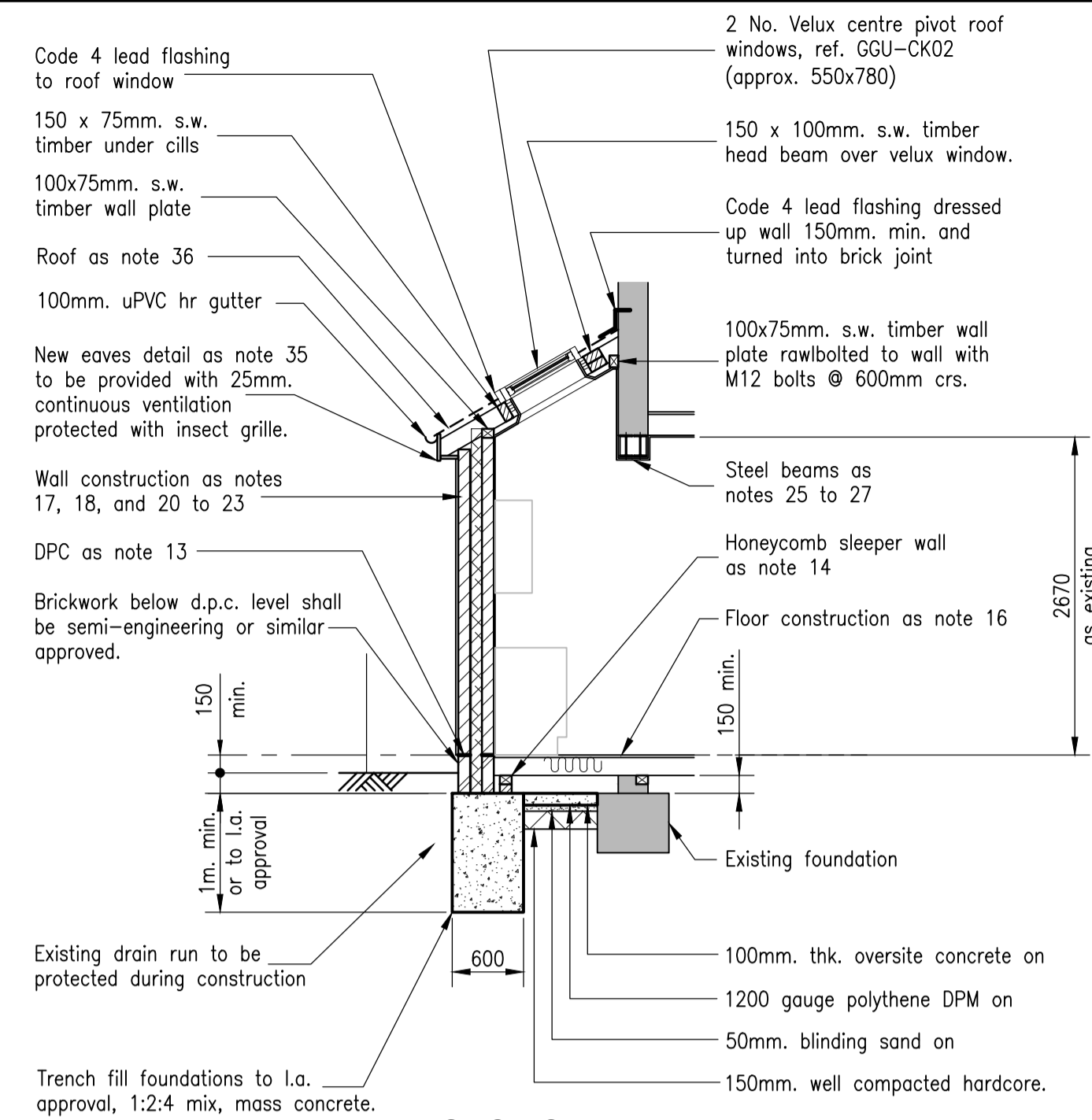
EXISTING GROUND FLOOR PLAN
(Scale 1:50)



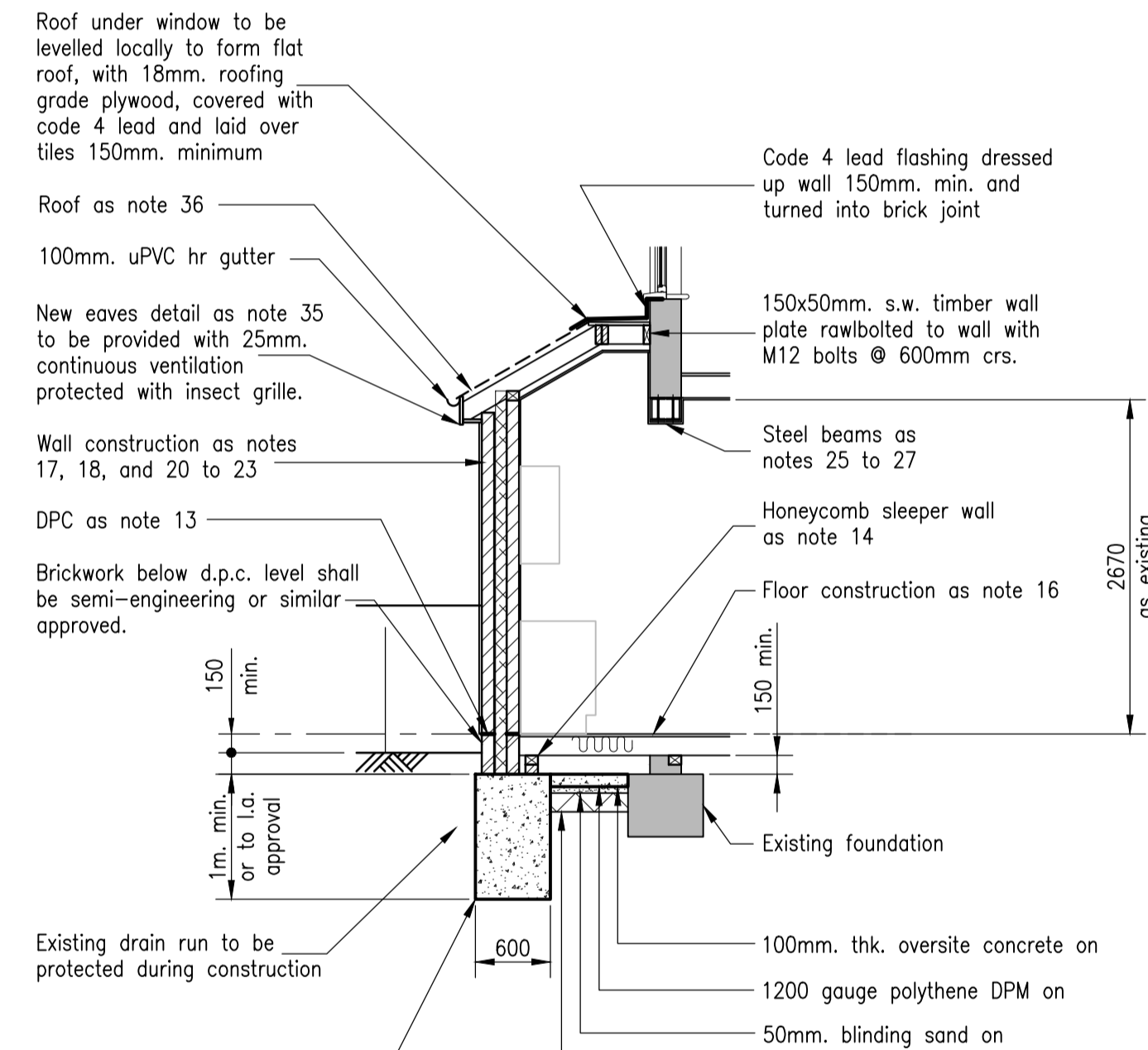
PROPOSED GROUND FLOOR PLAN
(Scale 1:50)



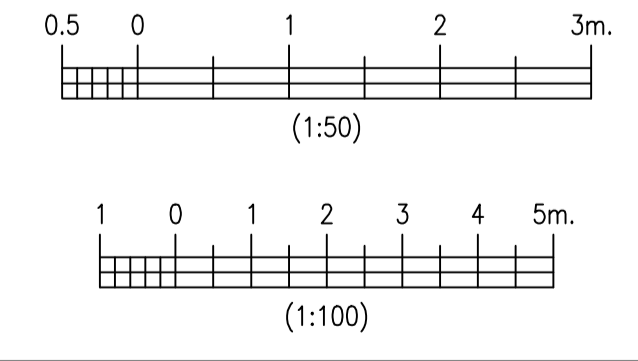
PROPOSED ROOF PLAN
(Scale 1:50)



SECTION A - A
(Scale 1:50)



SECTION B - B
(Scale 1:50)



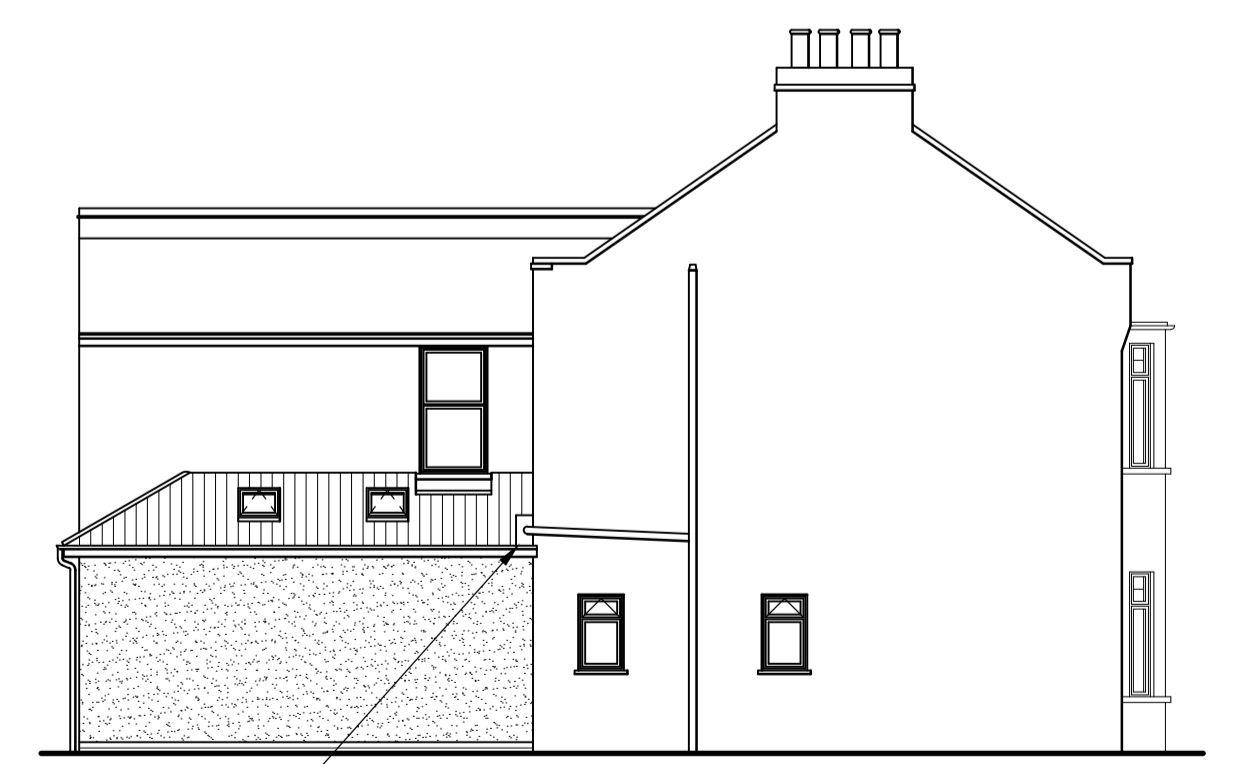
EXISTING REAR ELEVATION
(Scale 1:100)



EXISTING SIDE ELEVATION
(Scale 1:100)



PROPOSED REAR ELEVATION
(Scale 1:100)



PROPOSED SIDE ELEVATION
(Scale 1:100)

Revisions	Notes
	1. This drawing is copyright and should not be reproduced without written permission.
	2. This drawing is issued by 'Hemhurst Technical Services Ltd.' subject to the condition that it is not copied, reproduced or distributed either in whole, or in part, or used in anyway detrimental to 'Hemhurst Technical Services Ltd's' interests.
	3. This drawing is to be read in conjunction with Drg. Nos. HHL/692-2 and HHL/692-3.
	4. For general notes, refer to Drg. No. HHL/692-3.

Client: **Mr. & Mrs. G. Chaney,**
424, Blandford Road,
Beckenham,
Kent, BR3 4NN.

Project: **Single Storey Side Extension and Internal Alterations**

Drawing: **Plans, Sections & Elevations**

HEMHURST TECHNICAL SERVICES LIMITED
22, Nursery Avenue, Bexleyheath, Kent, DA7 4JZ.
Tel: 020 8304 5520
e-mail: mail@hemhurst-ts.co.uk
website: www.hemhurst-ts.co.uk

Drawn: **S. Quigley A.C.I.O.B.** Date: **June 2023**

Scale: **1:50 & 1:100 @ A1**

Drawing No. **HHL/692-1** Rev.