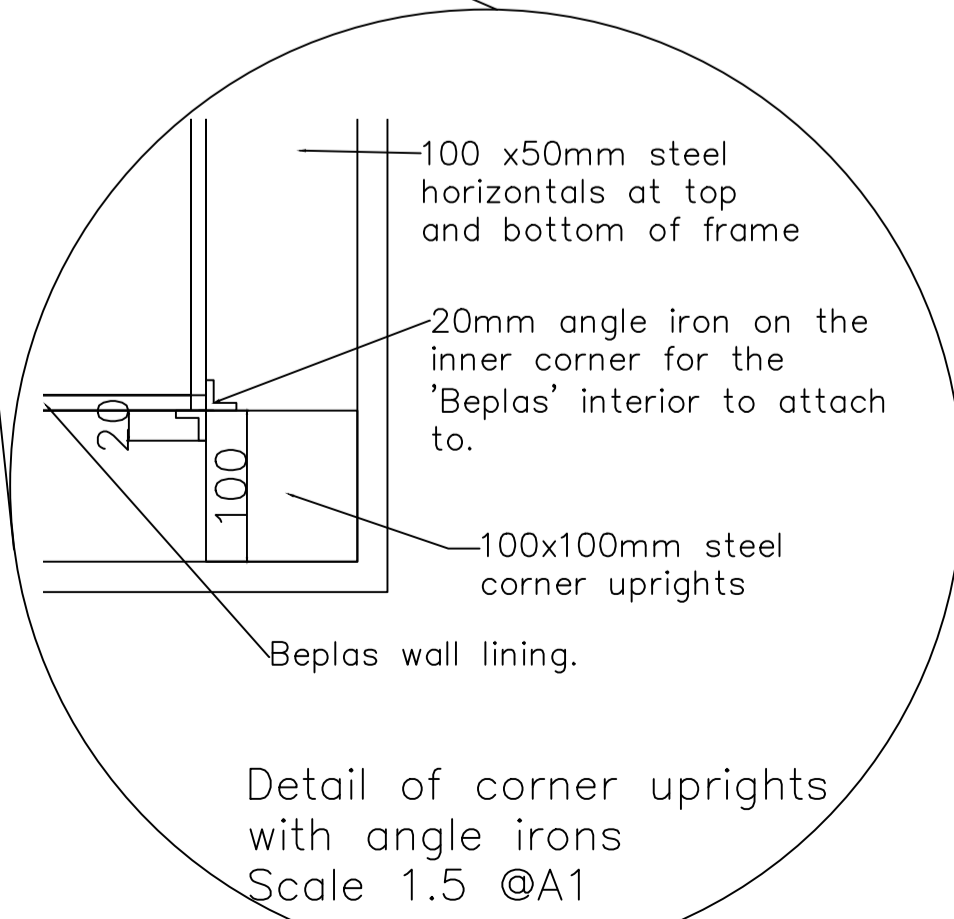
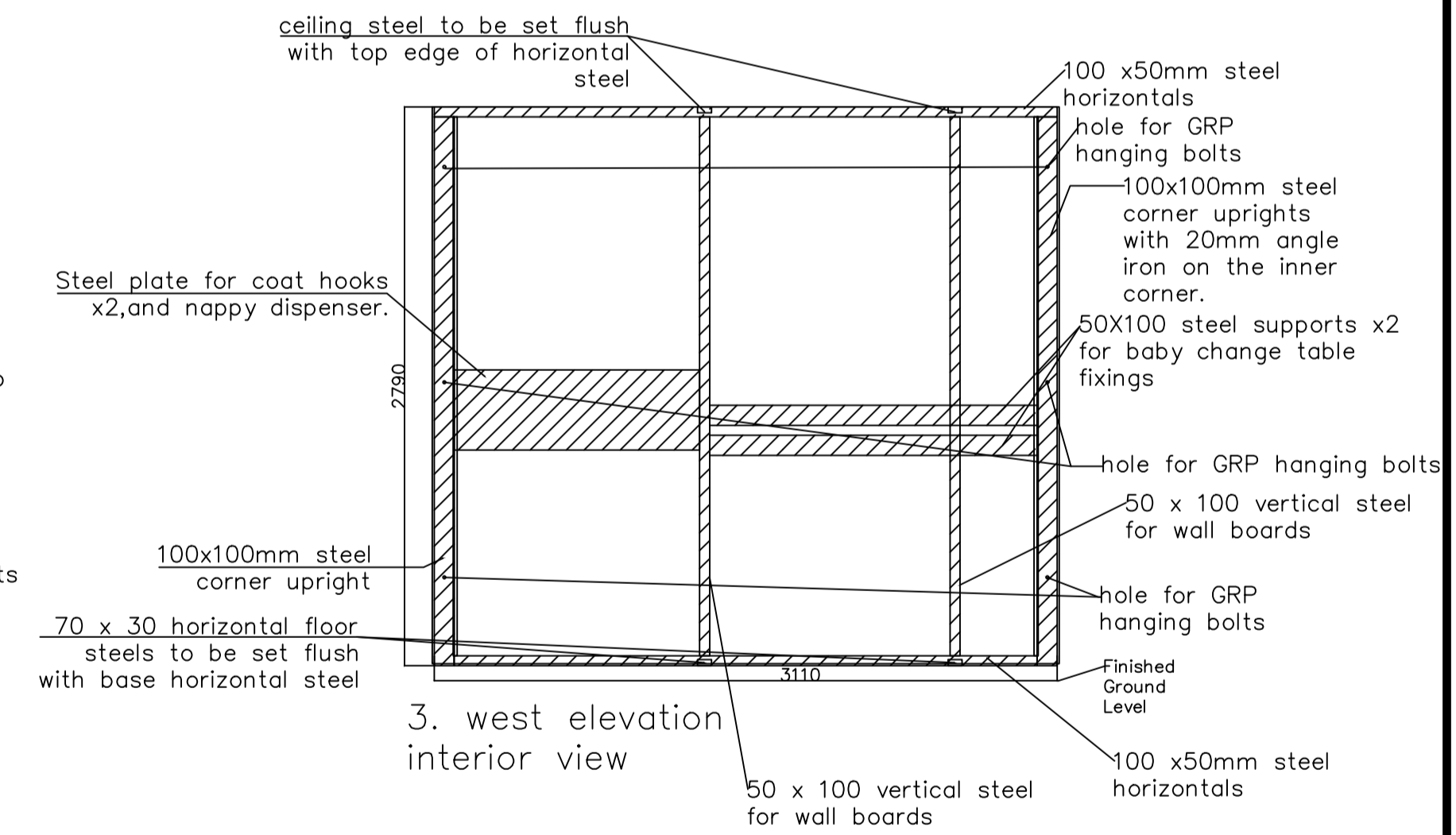
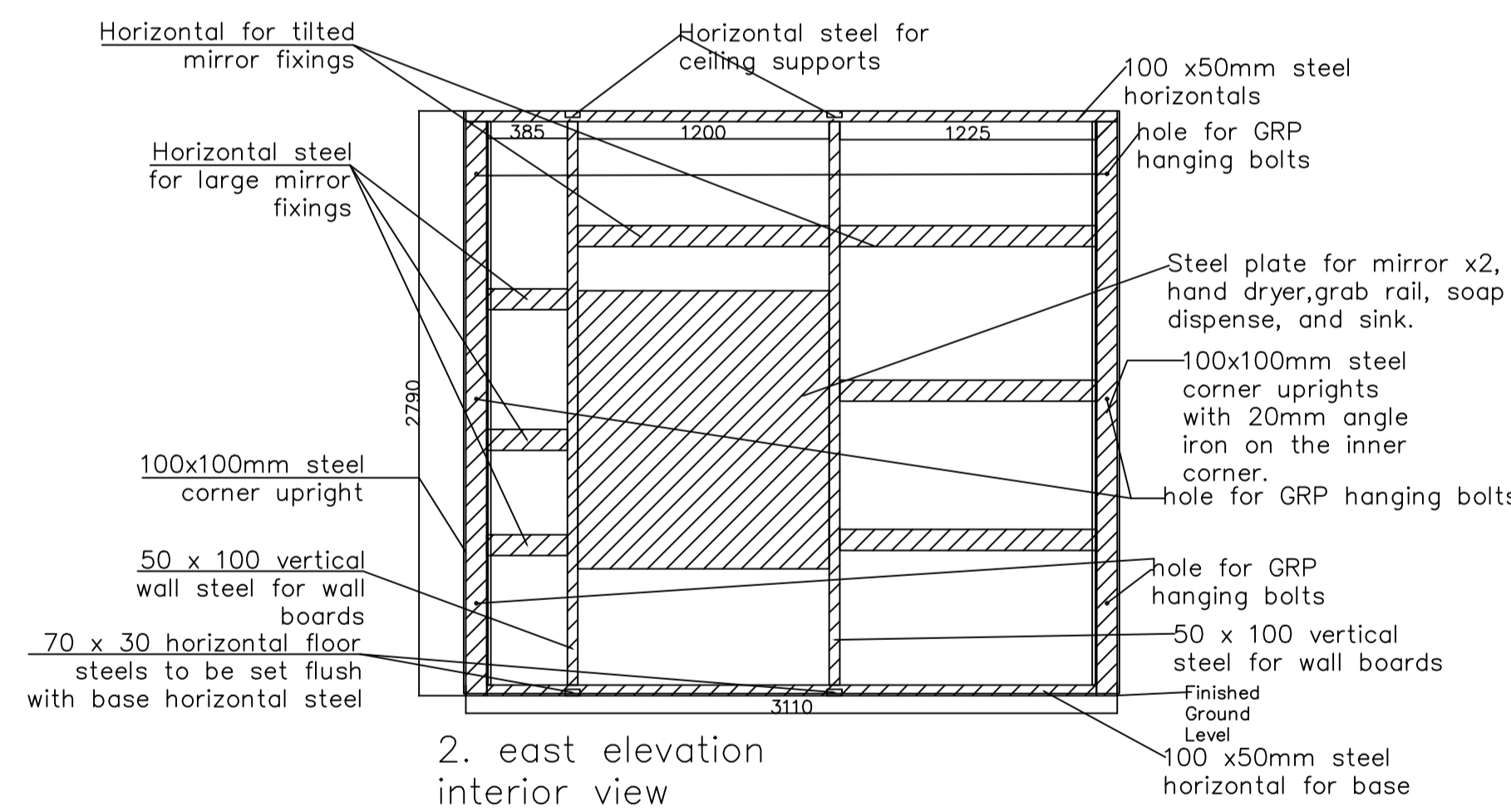
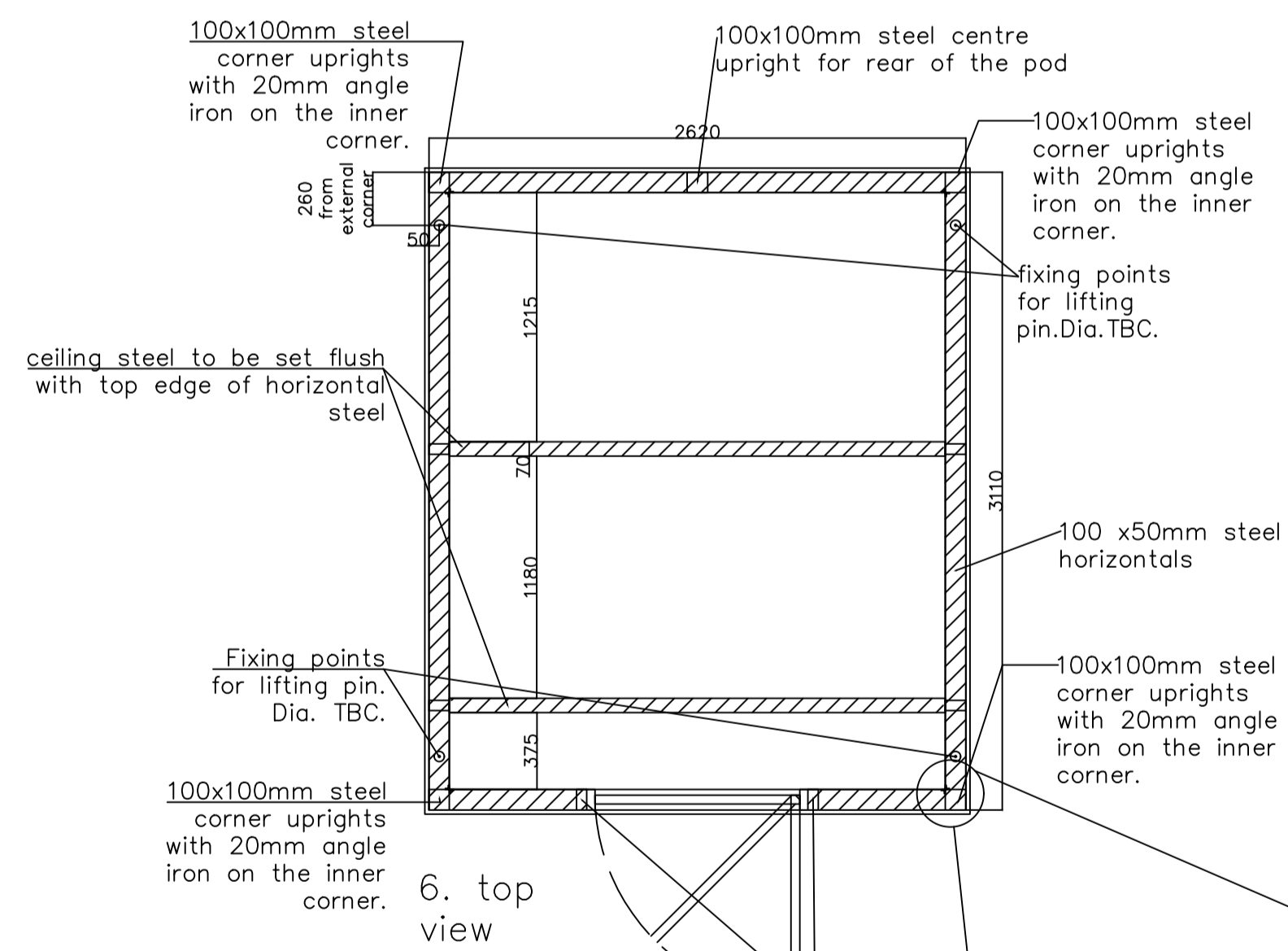
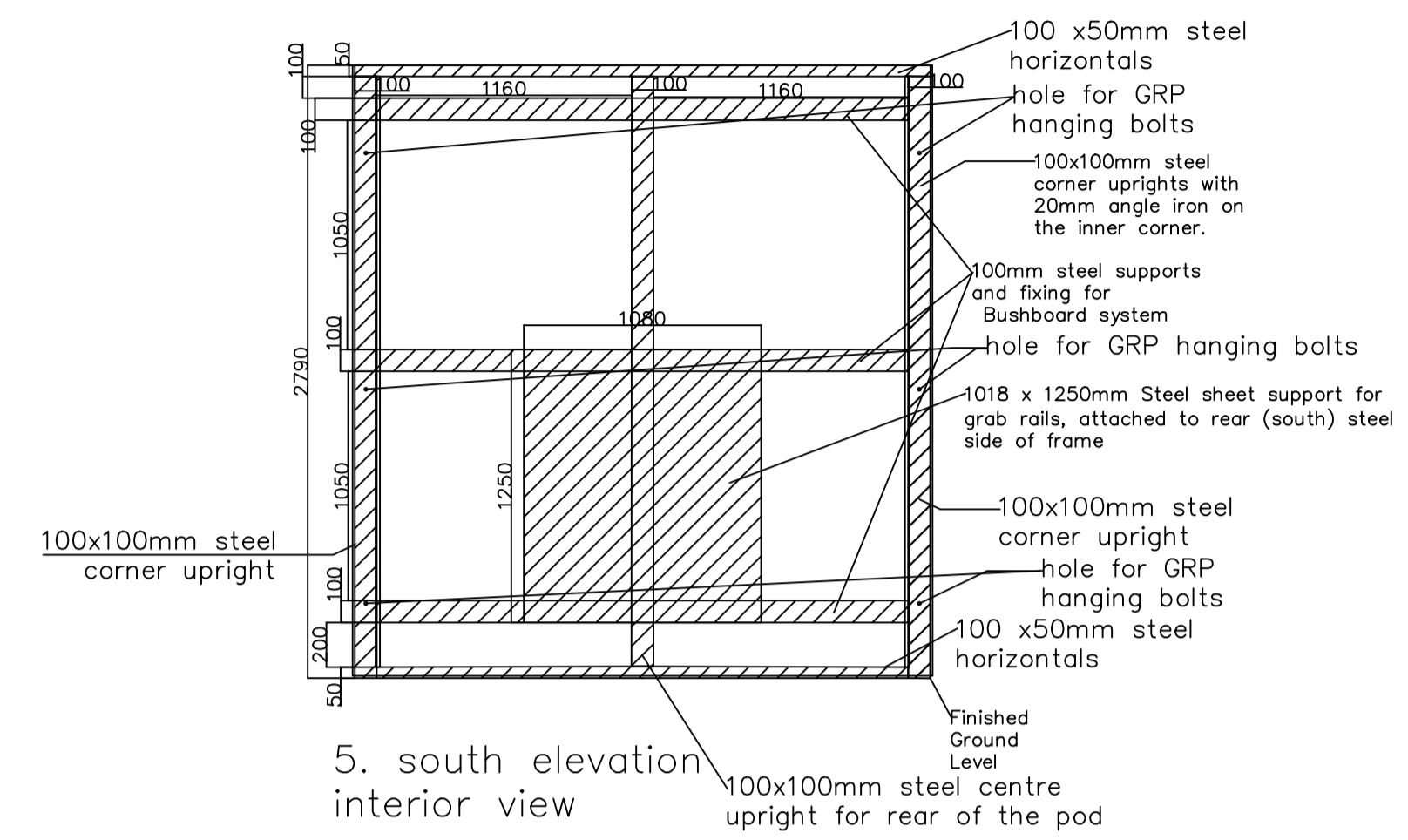
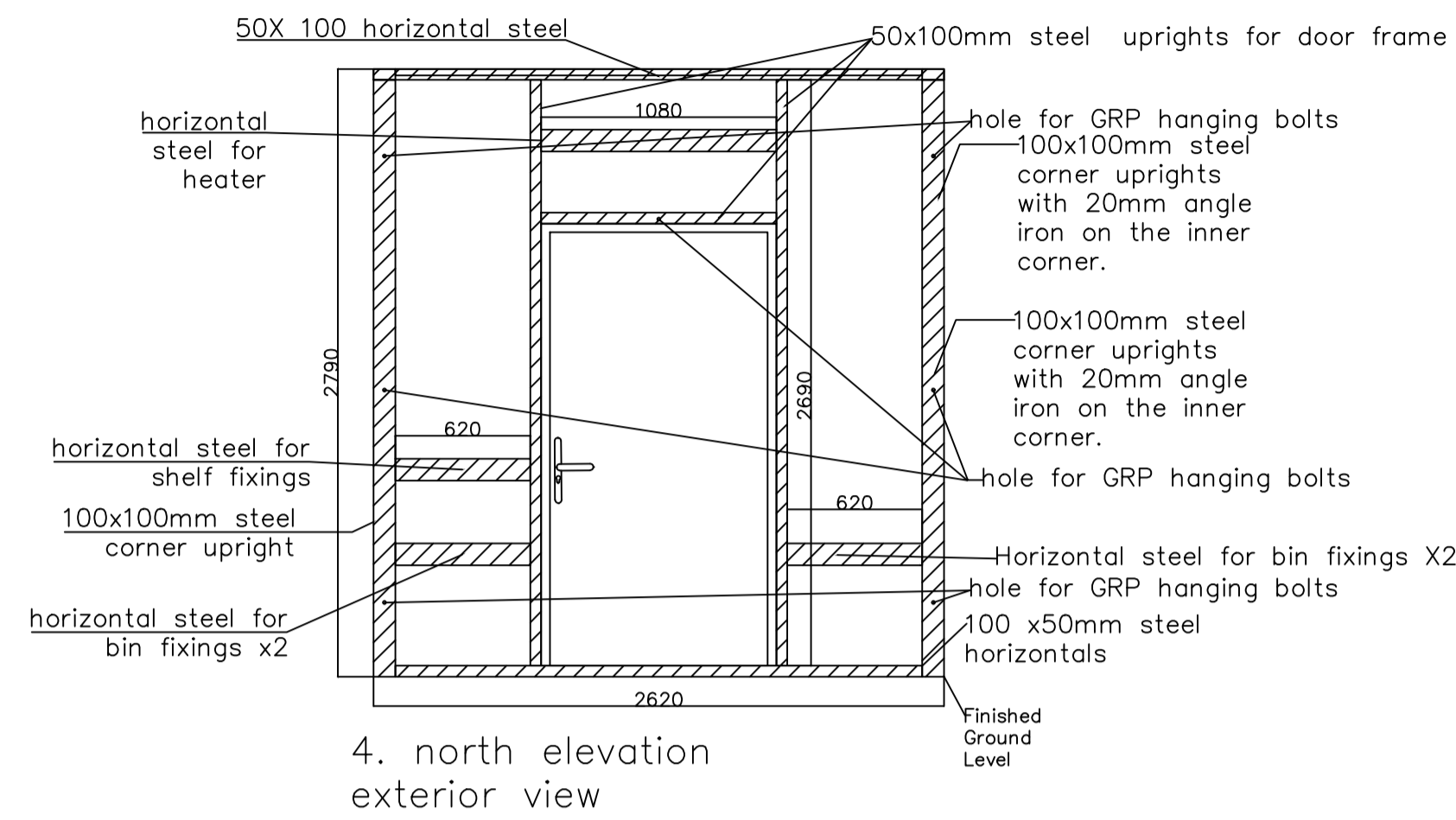
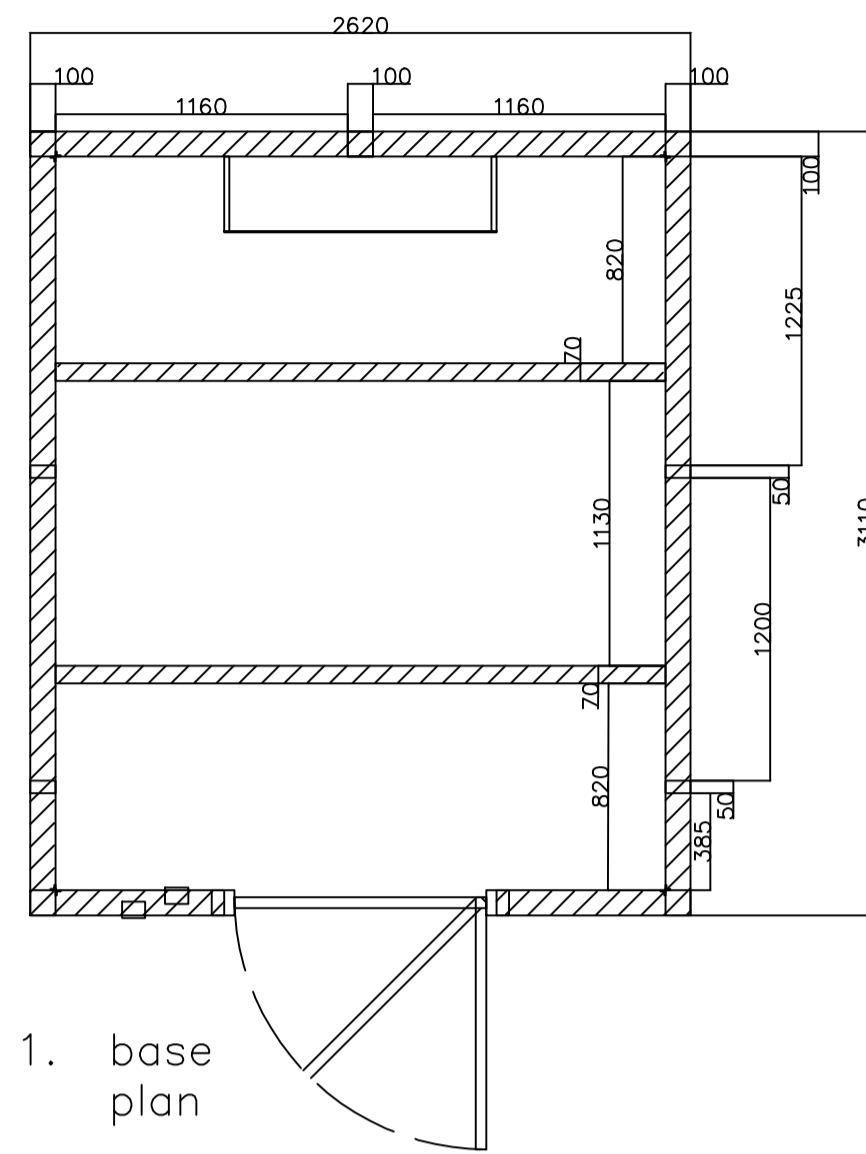


DO NOT SCALE
DIRECT FROM PLAN

NB:

1. All steel horizontals to have bolts/fixing points for wall mounted internal items. Fixing points determined by fixtures available at time of build.
2. Door frame + threshold TBC. please note dimensions of door frame and surrounding steel subject to change.
3. Diameter for lifting pin TBC.



Project Name and Address
Steel Frame
Accessible WC & Baby
change unit

Project	3262	Sheet	
Date	22.04.2022		01
Scale	1:30 at A1		