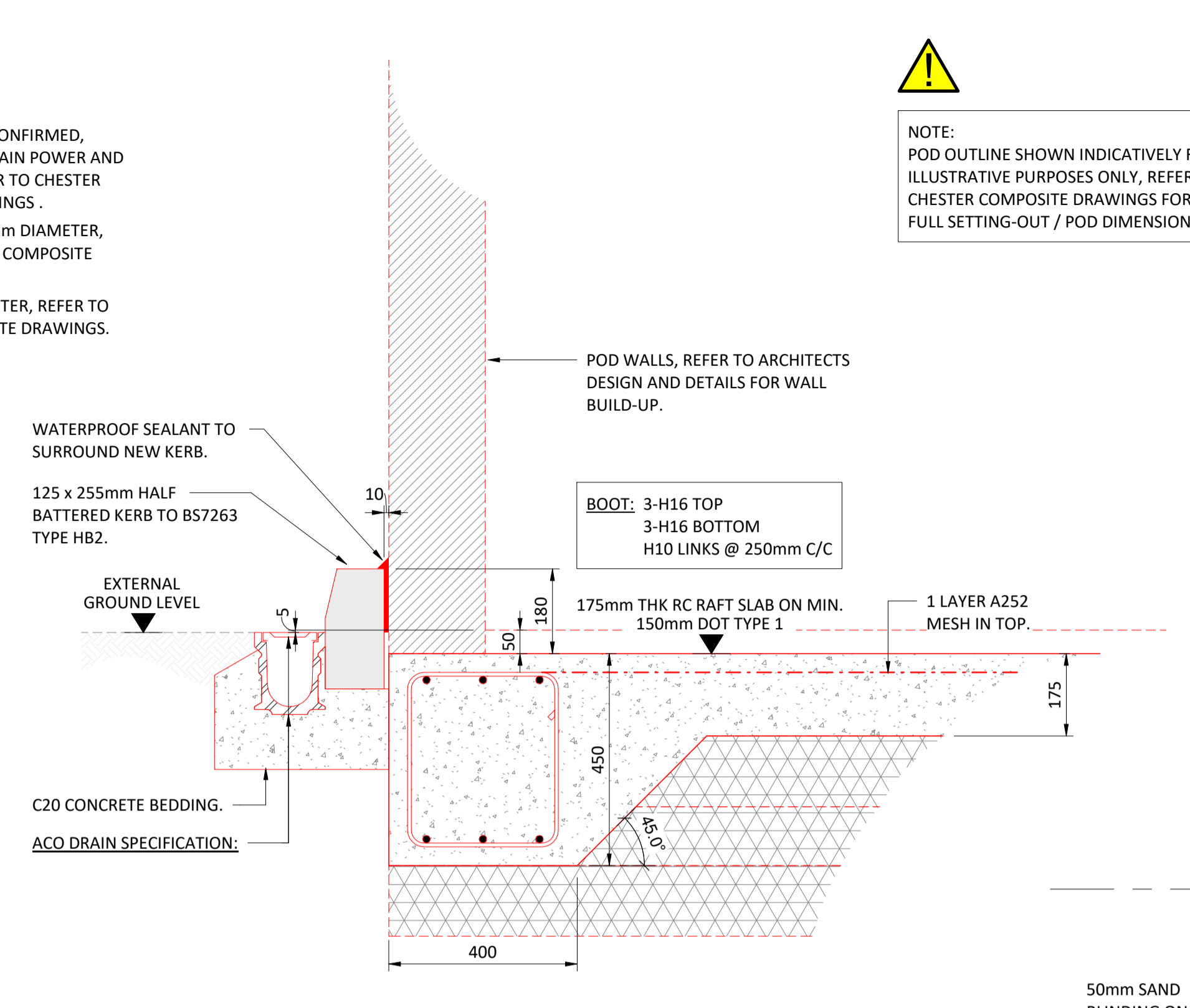


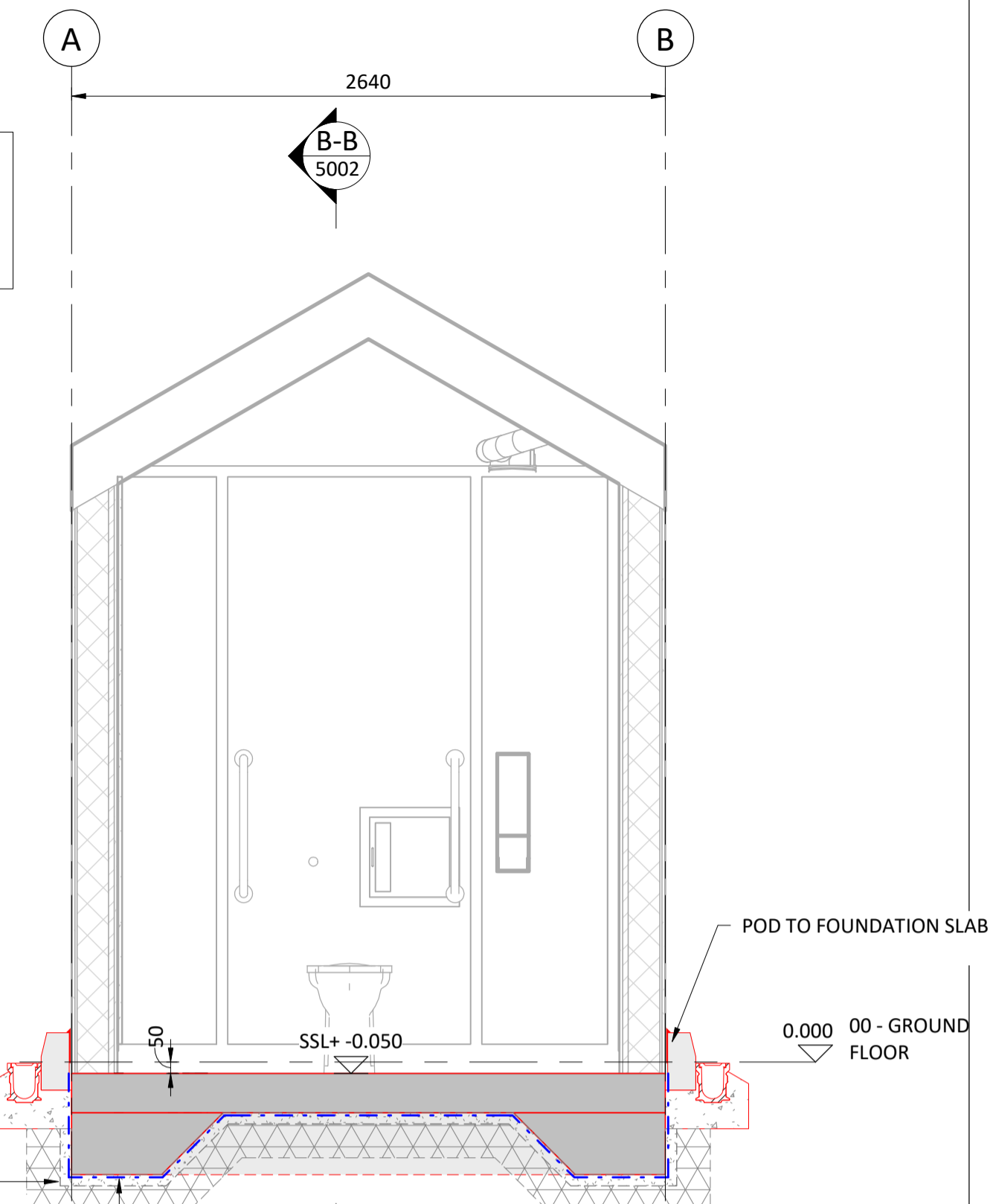
TOILET POD - FOUNDATION LAYOUT

SCALE 1 : 25



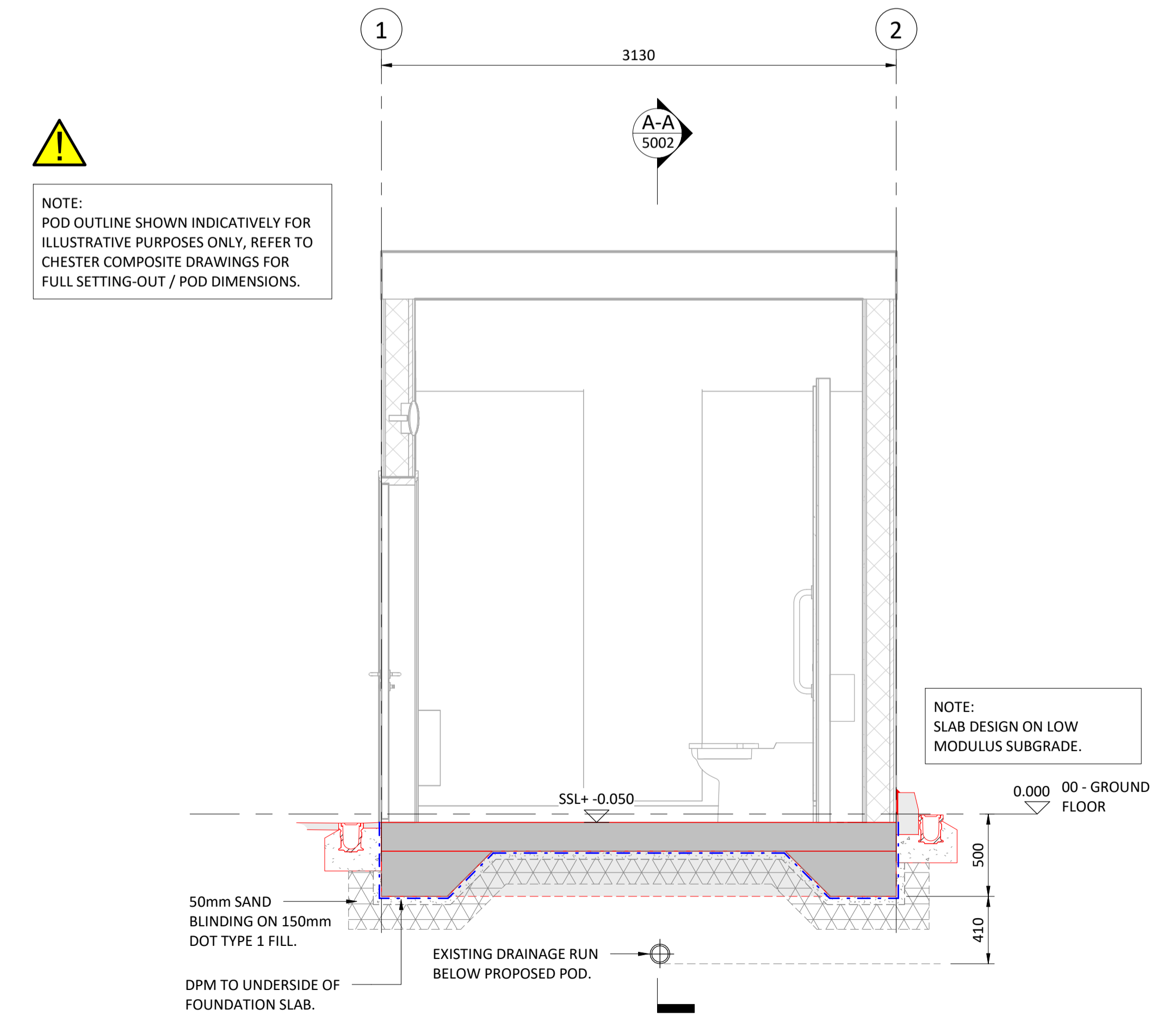
DE-1-1 - TYPICAL SLAB EDGE THICKENING DETAIL

SCALE 1 : 10



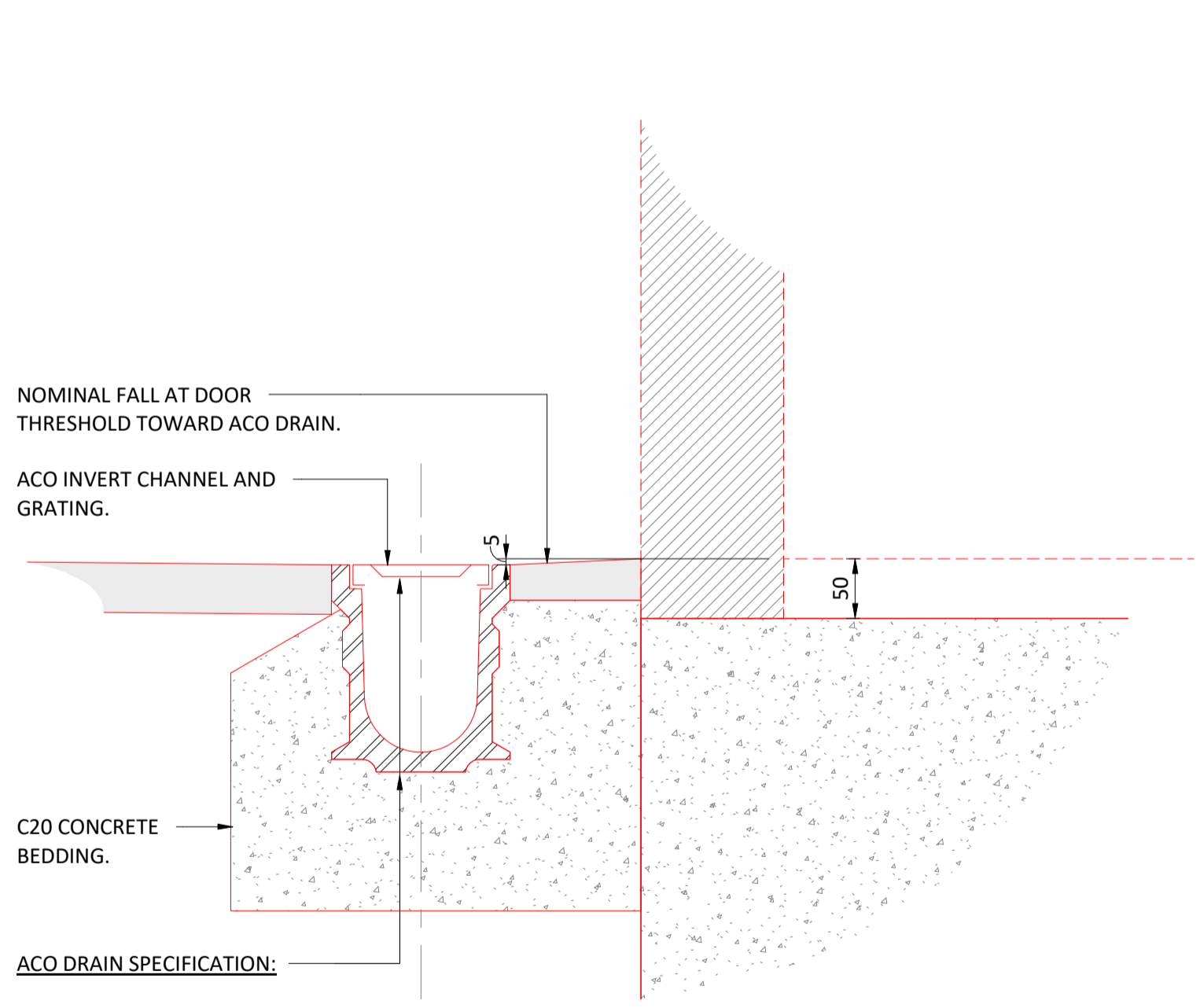
TOILET POD - SECTION A-A

SCALE 1 : 25



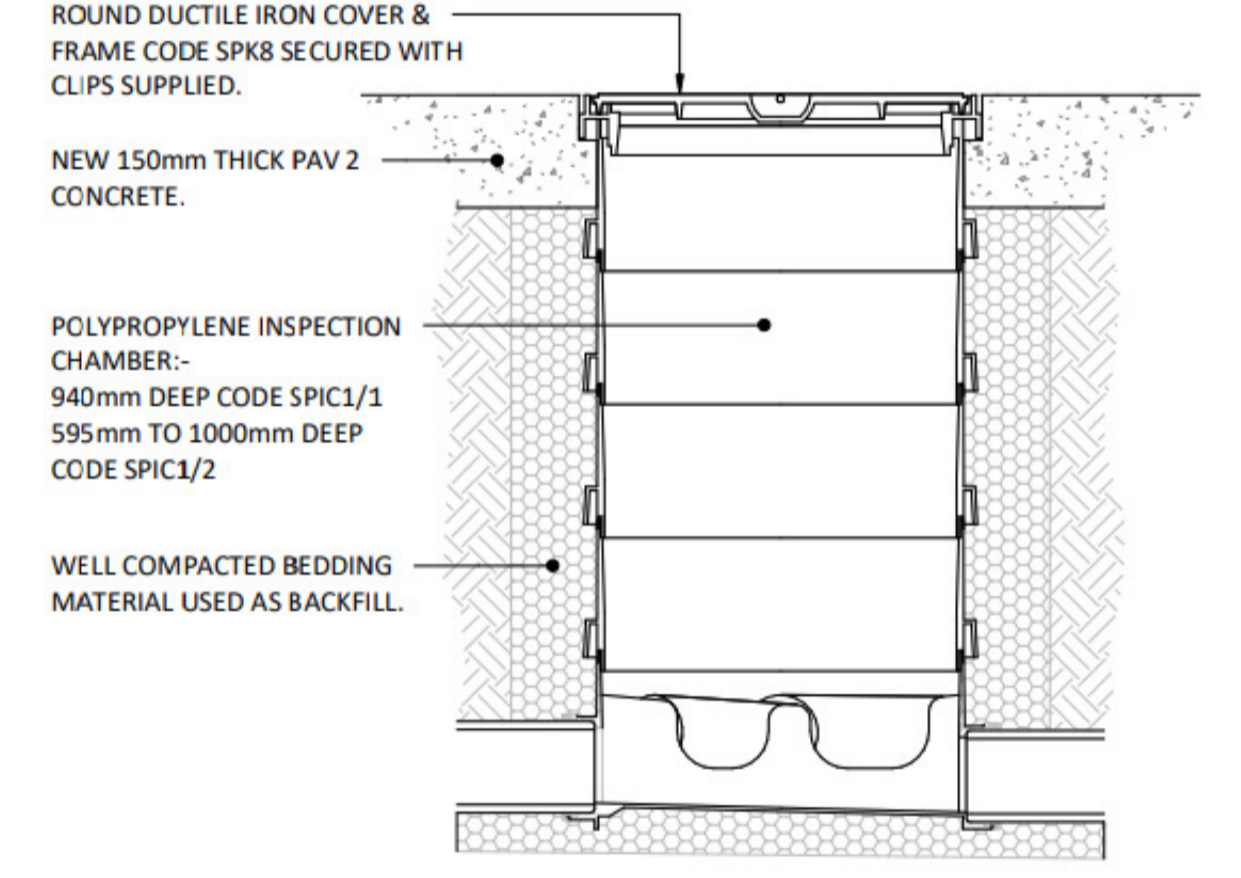
TOILET POD - SECTION B-B

SCALE 1 : 25

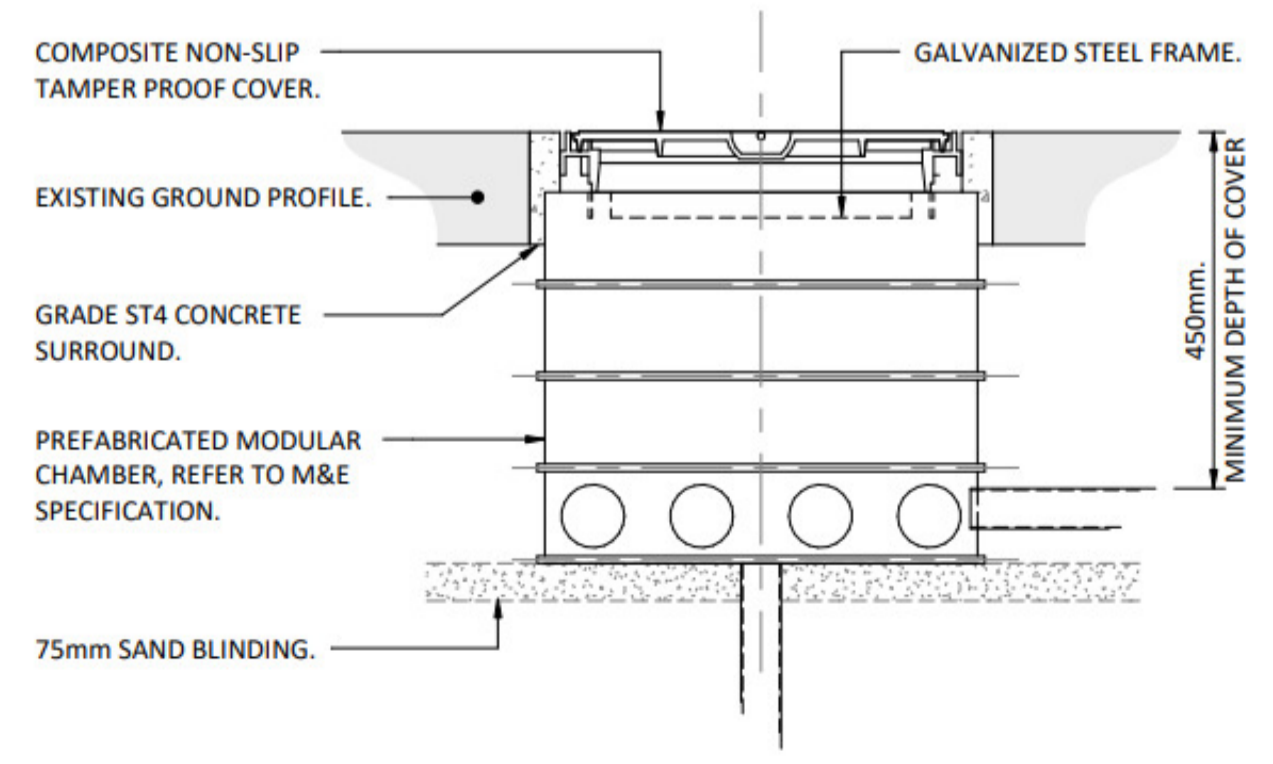


DE-2-2 - TYPICAL ACO DRAIN DETAIL AT DOOR THRESHOLD

SCALE 1 : 5



TYPICAL PPIC - DRAINAGE DETAIL



TYPICAL TURNING CHAMBER DETAIL

NOTE: POD OUTLINE SHOWN INDICATIVELY FOR ILLUSTRATIVE PURPOSES ONLY, REFER TO CHESTER COMPOSITE DRAWINGS FOR FULL SETTING-OUT / POD DIMENSIONS.

NOTE: POD OUTLINE SHOWN INDICATIVELY FOR ILLUSTRATIVE PURPOSES ONLY, REFER TO CHESTER COMPOSITE DRAWINGS FOR FULL SETTING-OUT / POD DIMENSIONS.

NOTE: SLAB DESIGN ON LOW MODULUS SUBGRADE.

Revision	0.1	Drawing created.	SA	08.06.23
Location Figure				
Sheet Size	A1	Scale	NTS	Status
Contractor Name	n/a	Based on Drawing No.	n/a	IDC
Project	Accessibility Package 2			
Drawing Title	Generic Details			
Drawing No.	1007-TIG-APZ-SD-ZZ-DR-C-0011			Rev
				P01