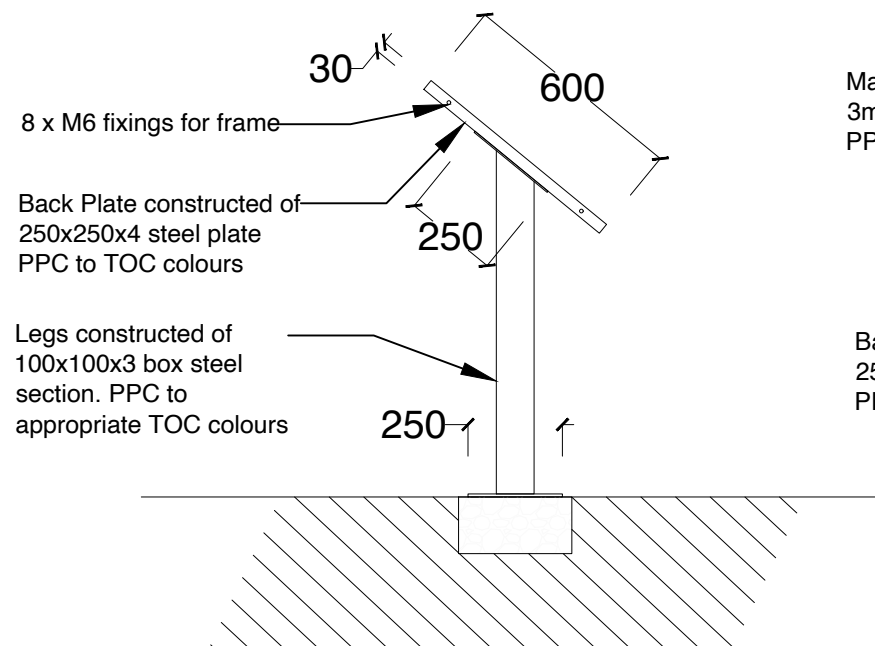


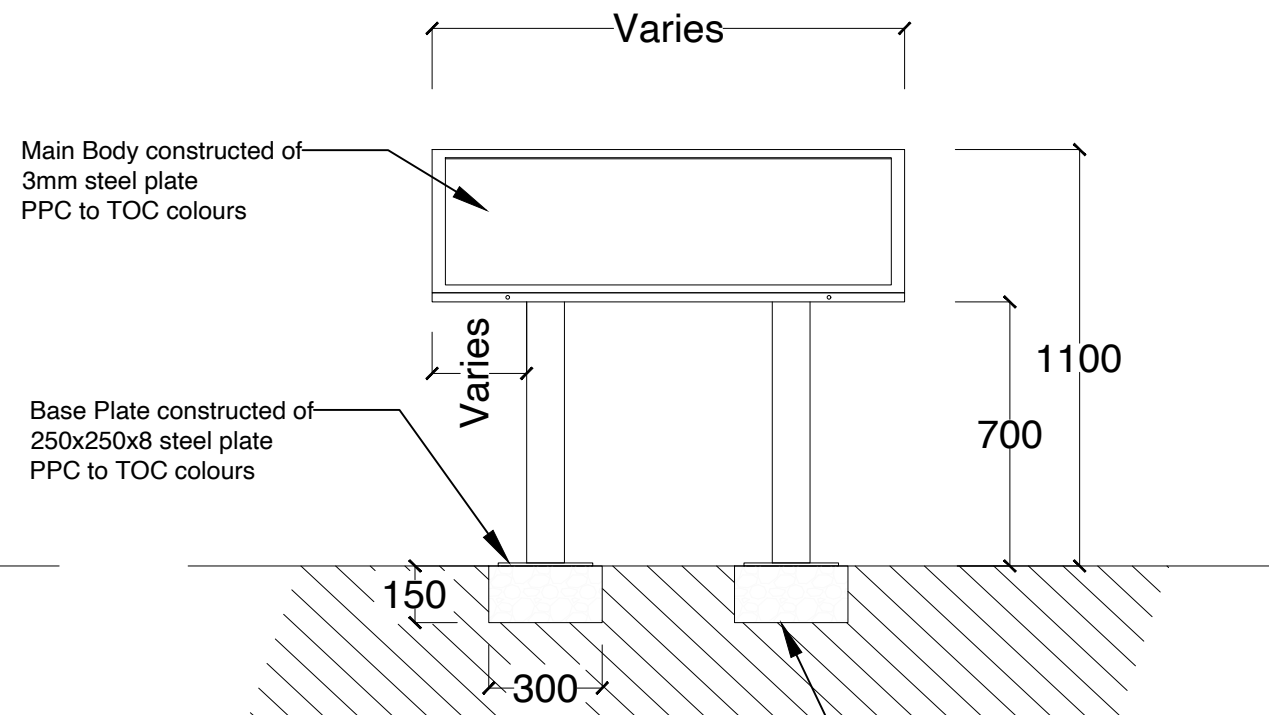
Plan
1:20 @A3



Representative image
NTS



Side Elevation
1:20 @A3



Front Elevation
1:20 @A3

Typical foundation detail
Concrete base measuring 300x300x150mm installed at each site. Each leg mechanically fixed to concrete pads using M12 resin anchor bolts or expanding bolts as appropriate. Proprietary resin and expanding bolts installed in accordance with manufacturer installation instructions.

NOTES

1. Do not measure from drawings for installation purposes

Stands fully powder coated and painted to appropriate TOC.

Ral : 5002 Ultramarine Blue (Northern stations)

Ral: 1018 Zinc Yellow (Mersey Side stations)

Ral: 3020 Traffic Red (Metro stations)

Revision	0:1	Drawing created.	SA	06.07.23
----------	-----	------------------	----	----------

Location Figure



Sheet Size	A3	Scale	1:20 (@A3)	Status	IDC	06.07.23	06.07.23	
Contractor Name	n/a	Based on Drawing No.	n/a					
Project	Accessibility Package 2						SA	SA
Drawing Title	Braille Stand Generic Details						SA	SA
Drawing No	1007-BRA-GEN-001						Rev	P01