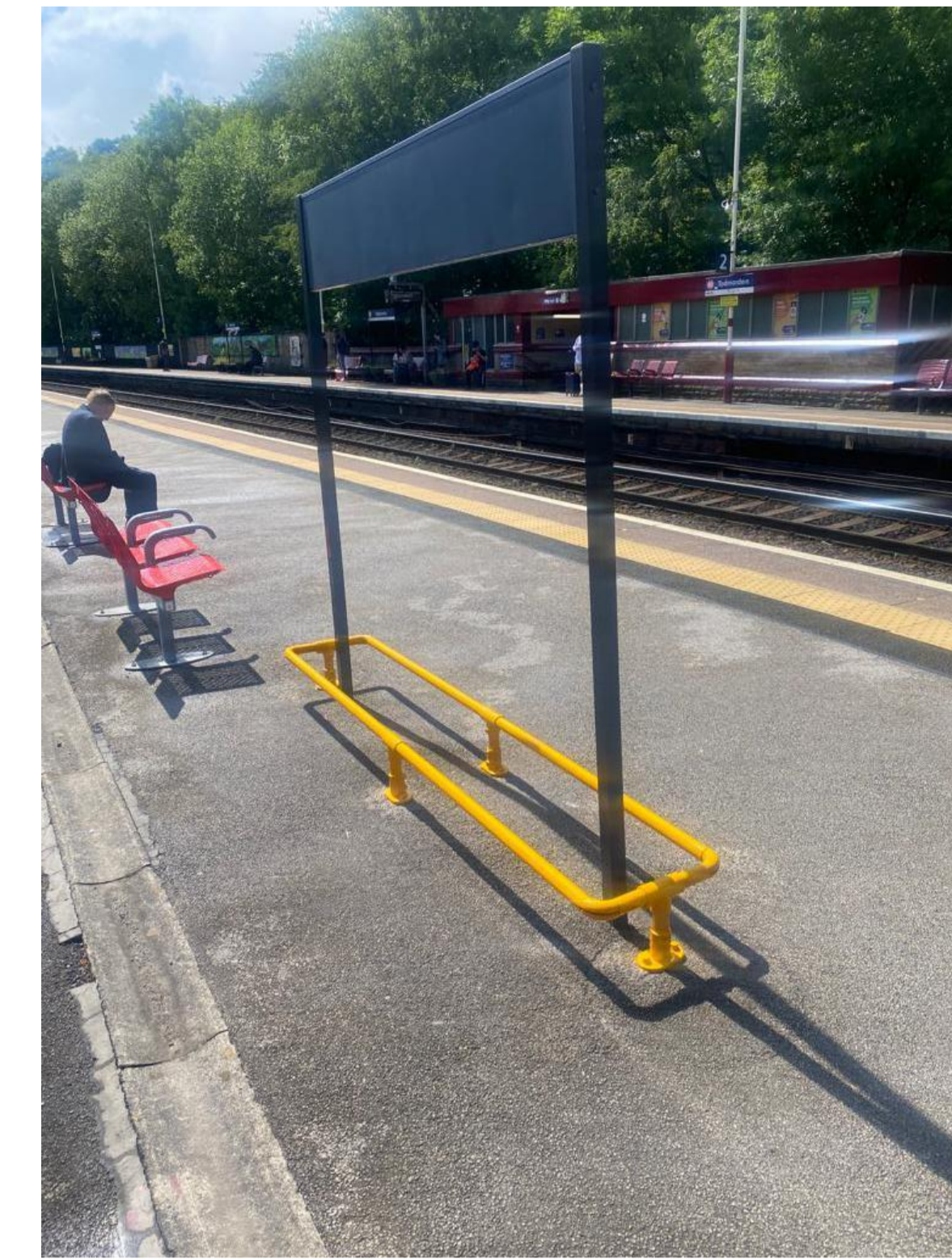
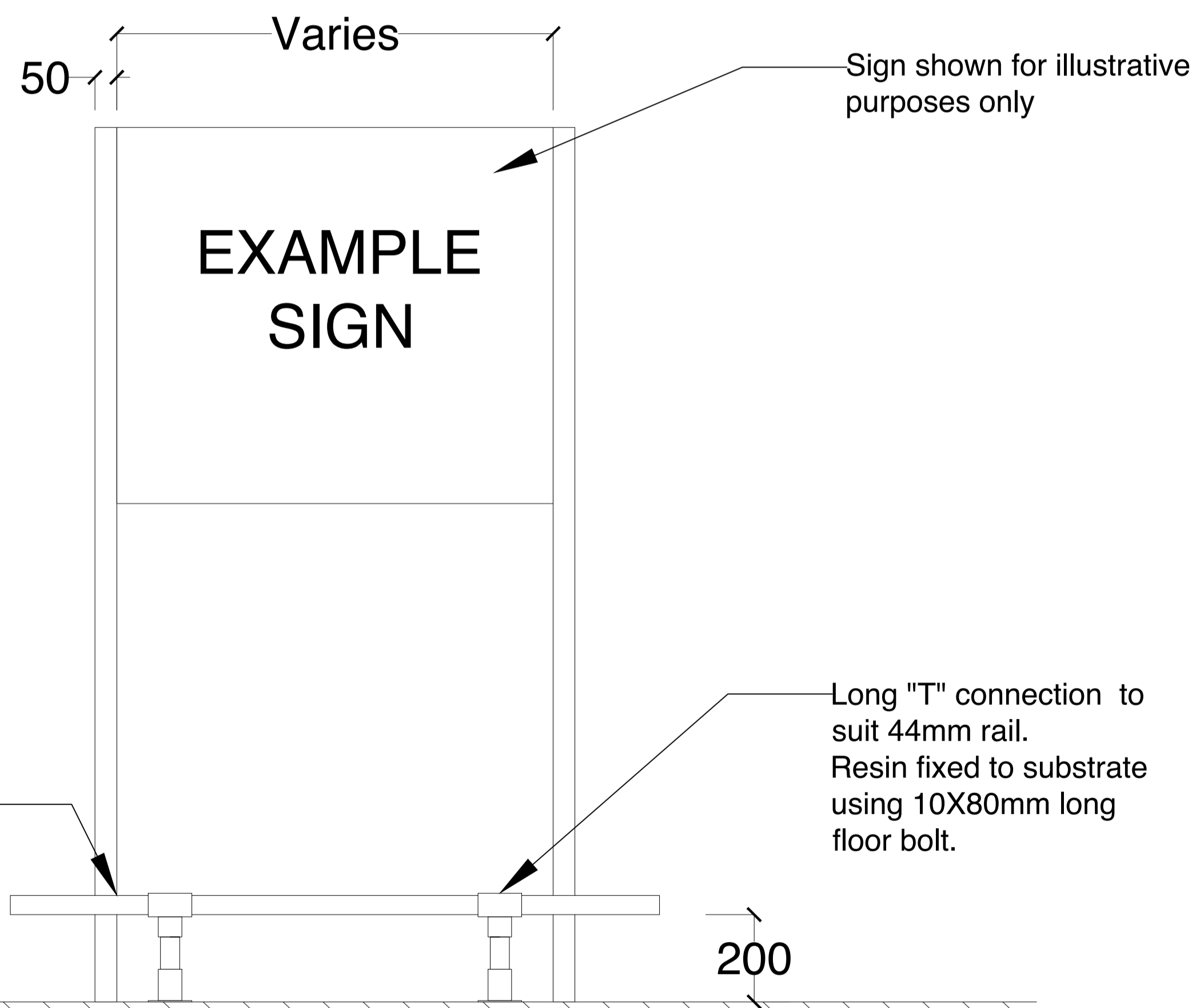


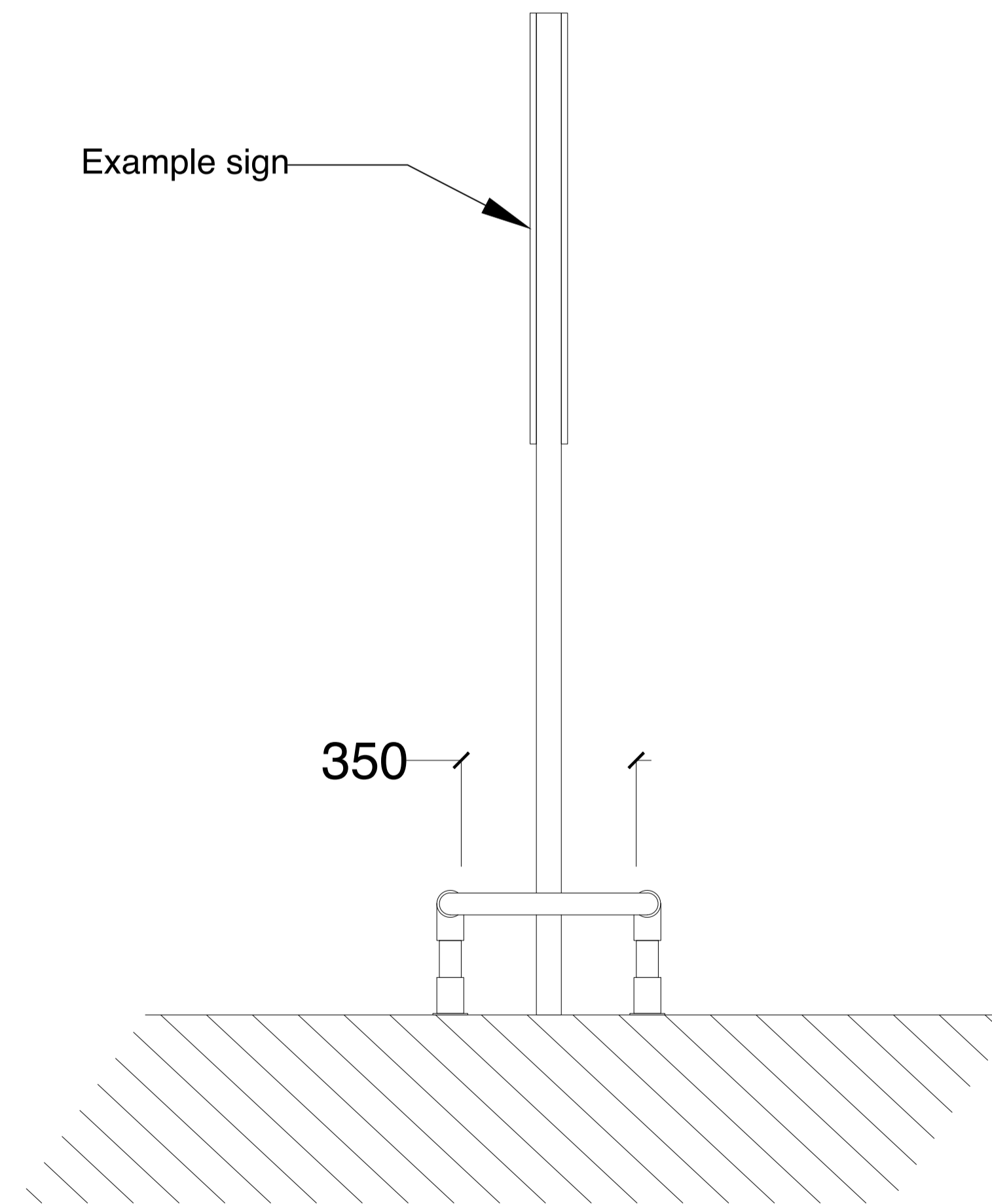
Plan
1:10 @A1



Representative image
NTS



Front Elevation
1:10 @A1



Side Elevation
1:10 @A1

NOTES

- Do not measure from drawings for installation purposes

Revision	0.1	Drawing created.	SA	03.07.23	
Location Figure					
Sheet Size	A1	Scale	1:10 (@A1)	Status	IDC
Contractor Name	n/a	Based on Drawing No.	n/a	03.07.23	03.07.23
Project	Accessibility Package 2				
Drawing Title	Tapping rail Generic Details				
Drawing No	1007-TAP-GEN-001				
Rev	P01				