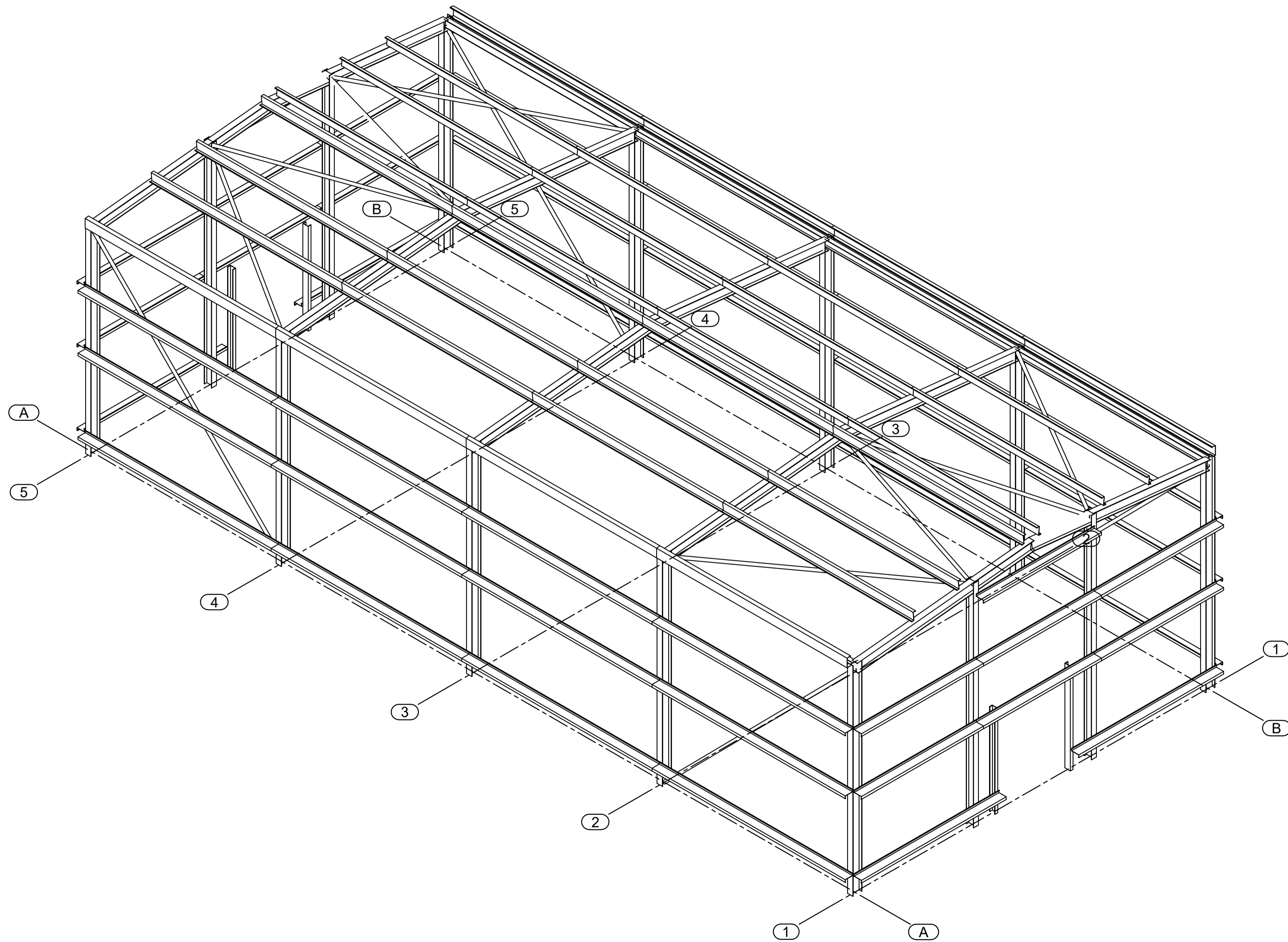


General Notes

1. This drawing must not be scaled.



3 D VIEW View

Index	Date	Description	Author
-------	------	-------------	--------

REVISIONS

Smk Engineering (UK) Ltd
 Unit 4 Old Foundry Estate
 Victoria Street
 Widnes WA8 7UE
 Tel 0151 423 2320

CLIENT
 STEELCODE

PROJECT
 NEW OFFICES

DRAWING TITLE

DRAWN BY	CHECKED BY	DATE	SCALE
M D		28/11/2023	As Noted
PROJECT No.	DRAWING No.	REV	
12150	[G]- 103	Rev0	