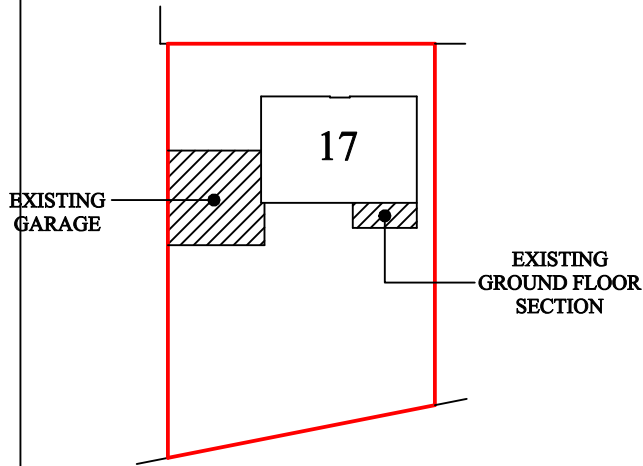
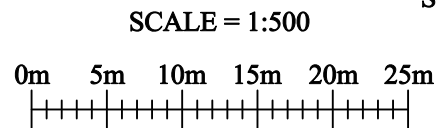
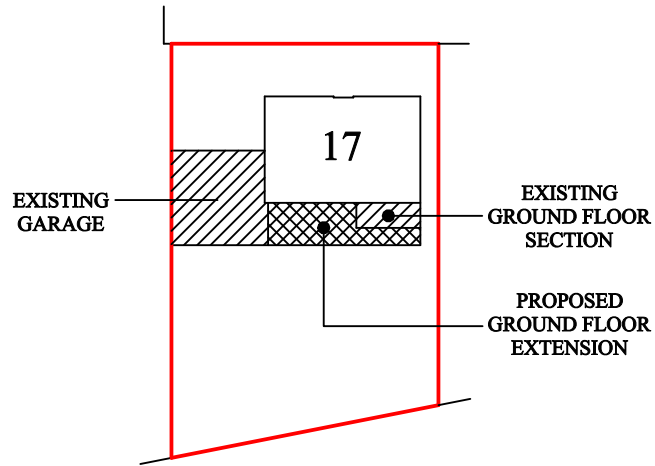


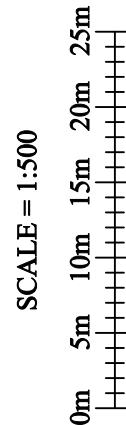
**EXISTING
SITE PLAN**



**PROPOSED
SITE PLAN**



SCALE WHEN
PRINTED
@ 1:50
ON A4



PROJECT:-	
SITE PLANS	
TITLE:-	
17 POSTON PLACE STEVENAGE HERTS, SG2 0BS	
SCALE:-	1:500
DATE:-	Dec 2023
JOB/DRG. No:-	2023-112A
PLANS TO EXPAND Architectural Services	
'The Drawing Office', 97 Mildmay Road, Stevenage, Hertfordshire. SG1 5RS	
Tel (01438) - 237407 Mobile 07768 - 436971 Email: info@planstoexpand.co.uk	