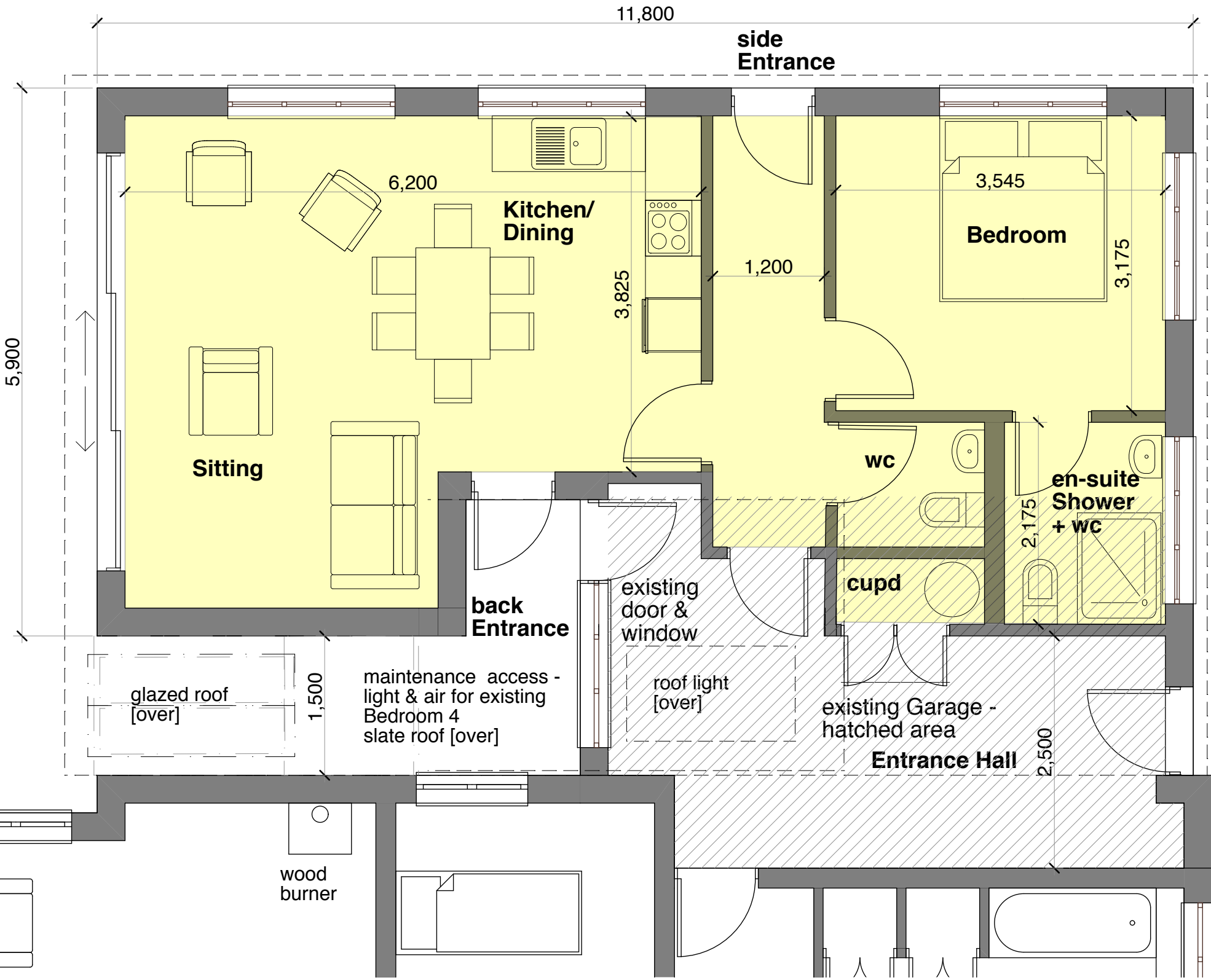
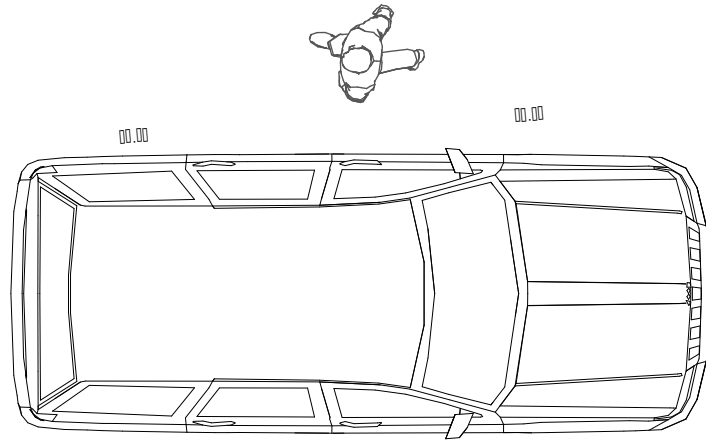
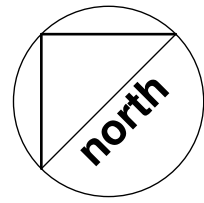


site boundary - existing horizontal close boarded timber fence

scale in metres



Client  
**MR. B. YASEEN**

Project  
**EXTENSION TO 'TREVSEEN  
DOBBIN ROAD  
TREVONE**

Drawing  
**Proposed  
Ground Floor Plan**

Project No. Drawing No. Revision Status  
**2201 110 F PA**

Scale Date Drawn By Checked By  
**1:50@A3 17/12/23 MB**

**mike barlow  
architect**

5 Quay Road, Charlestown, Cornwall PL25 3NX 07974871634  
e mike@mikebarlowarchitect.co.uk i www.mikebarlowarchitect.co.uk