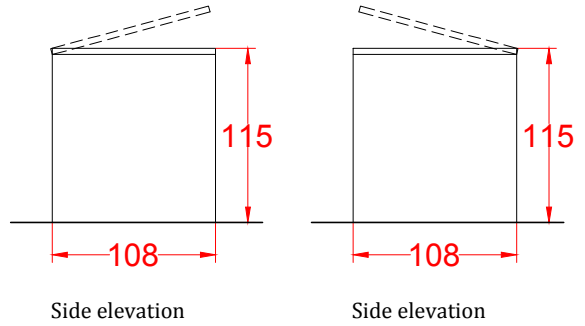
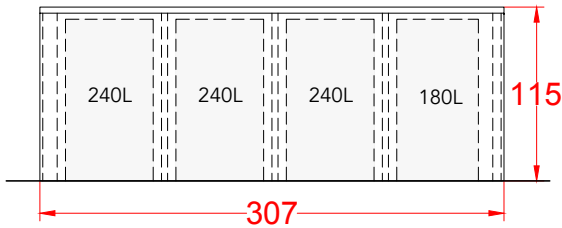


Proposed bin storage - plan

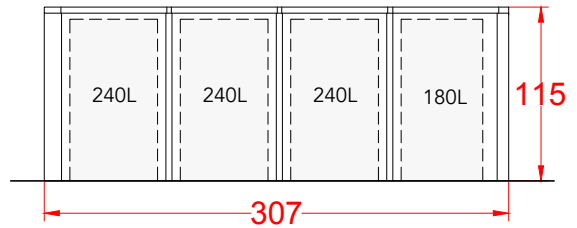


Side elevation

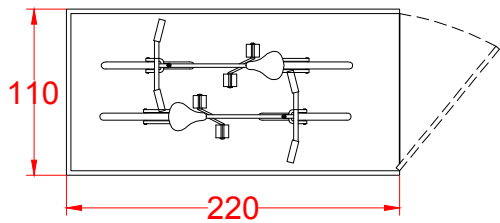
Side elevation



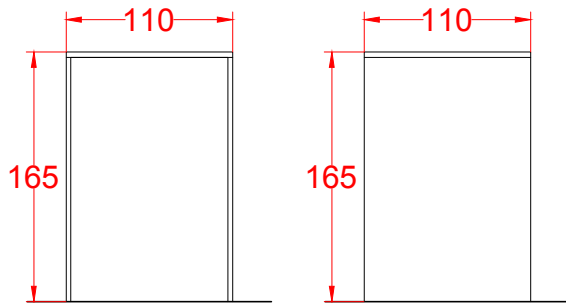
Rear elevation



Front elevation

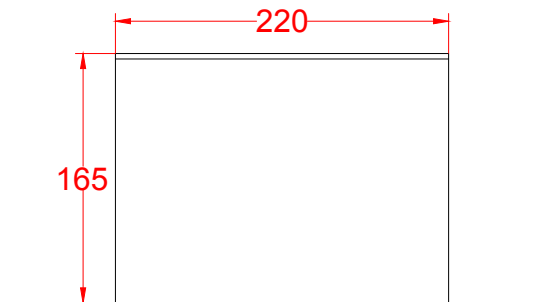


Proposed cycle storage - plan

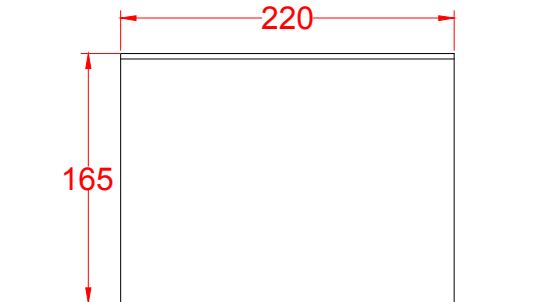


Front elevation


Rear elevation



Side elevation



Side elevation

	<b>Project Title</b> 8a Oak Way, Croydon, CR0 7ST	<b>Reference Number</b> 090A_PL012A	<b>Notes:</b> This drawing is not to be copied, altered or changed without permission.  While this drawing can be used as a base drawing for construction purposes, it is VERY IMPORTANT that all dimensions are checked carefully before any work commences or any materials are ordered.  This drawing can be used as part of a planning application, although the planning officer may ask for more specific information about some aspects of the design.  The drawing intends to illustrate the general arrangement of the project proposals. As it stands this drawing does not include all of the detail necessary for a full plans building regulations application.
	<b>Sheet Title</b> Proposed bin & bike storage	<b>Scale</b> 1:50 @ A4	
	<b>Contact:</b> Ms. Aygul Boyraz <b>Email:</b> info@aygulboyraz.com <b>Tel:</b> +44 737930 0802	<b>Date</b> 29/06/2023	