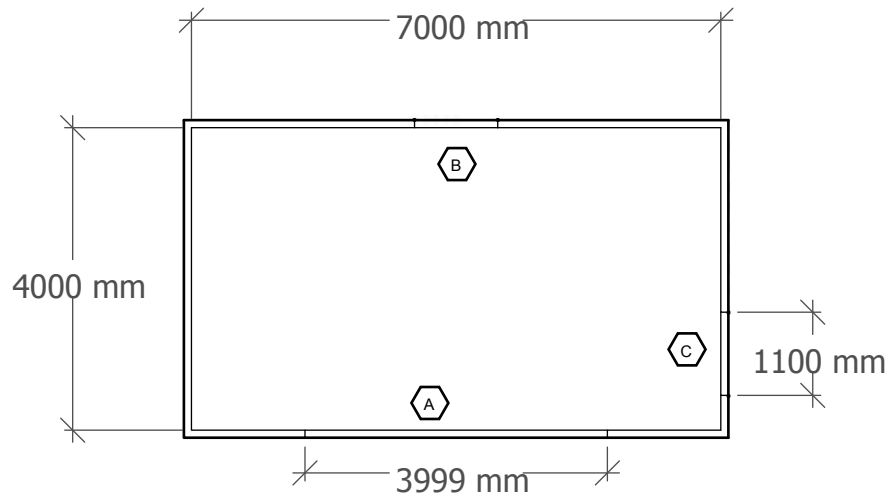
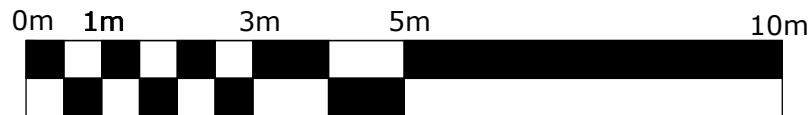


Floor Plan...



Item	Notes
A	4.0m x 2.0m Bifold
B	1.1 x 0.4m High level window
C	1.1m x 1.0m top hung window

**A** Floor Plan  
A00 Scale: 1:100



3 Potters Wood		
<b>Floor Plans</b>		
Date	Job No	Drawing No
<b>20/10/2023</b>	<b>1019</b>	<b>DWG A</b>
Scale	Revision No	Drawn By
<b>1:100 @ A4</b>	<b>P01</b>	<b>Tom Hickey</b>
WELWYN GARDEN ROOMS		