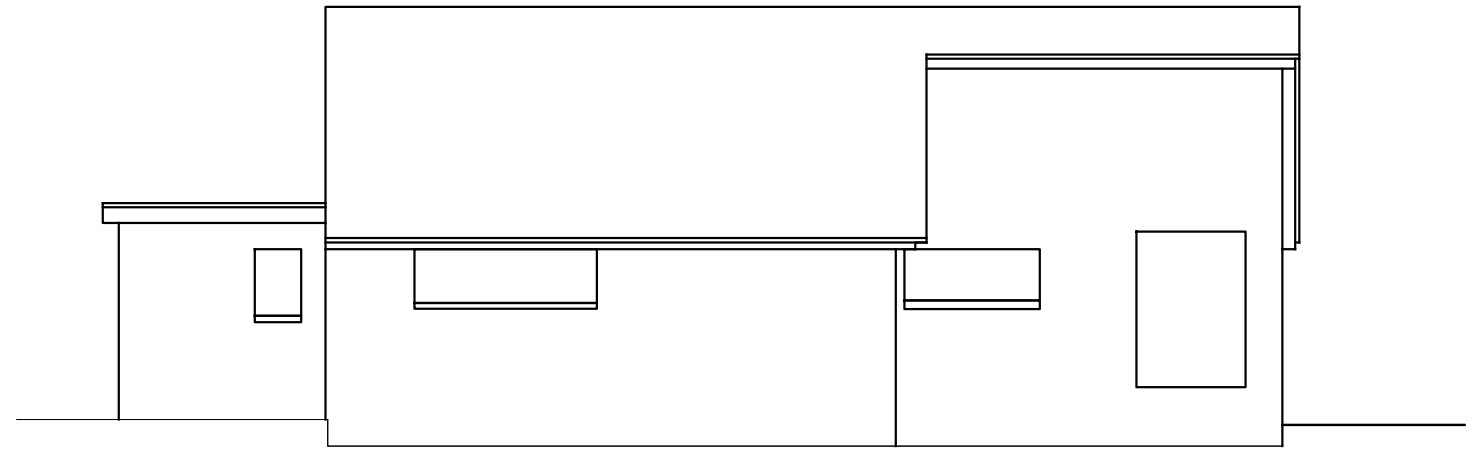
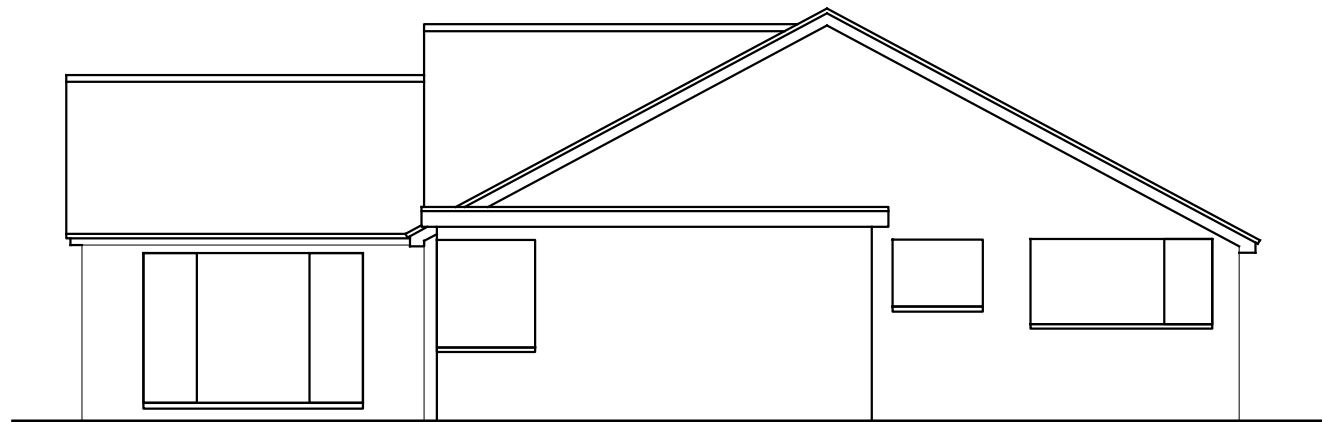


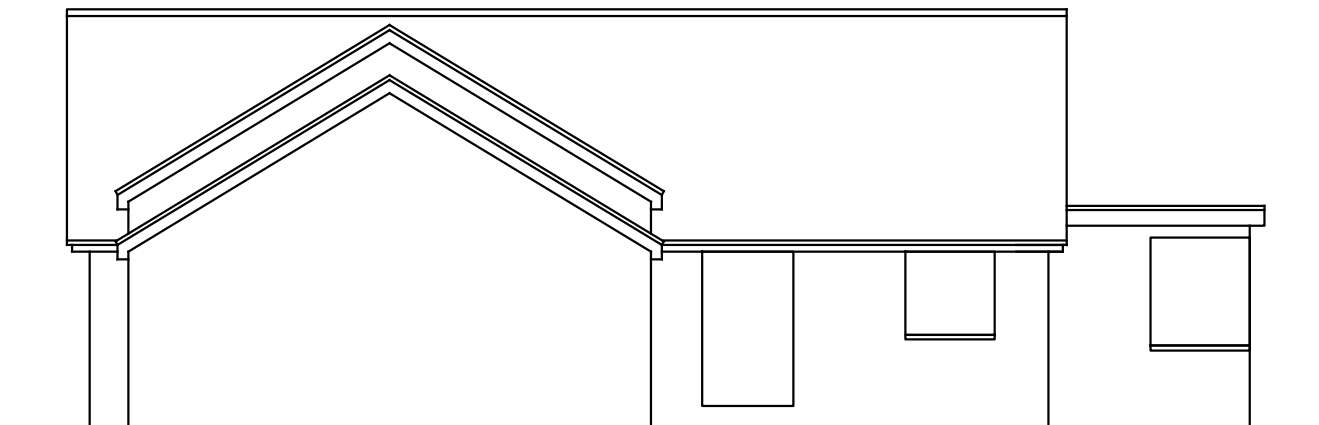
E5 FRONT ELEVATION
SCALE: 1:100 @ A3
PROPOSED



E6 SIDE ELEVATION
SCALE: 1:100 @ A3
PROPOSED



E7 REAR ELEVATION
SCALE: 1:100 @ A3
PROPOSED



E8 SIDE ELEVATION
SCALE: 1:100 @ A3
PROPOSED



place for humans

**3 WOBURN RISE,
NG5 4PS.**

**PROPOSED
ELEVATIONS**

SCALE: 1:100 @ A3

A3.1

DRAWN BY: **Joe Robertshaw**