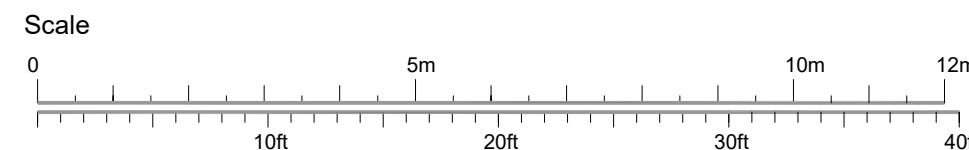
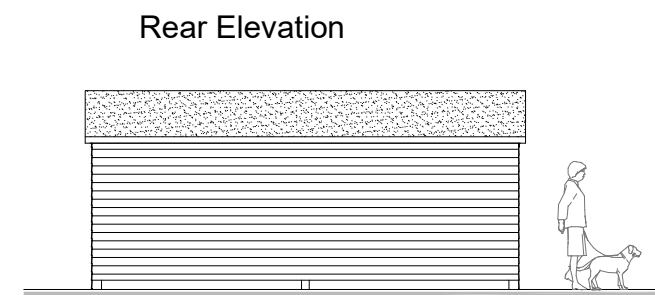
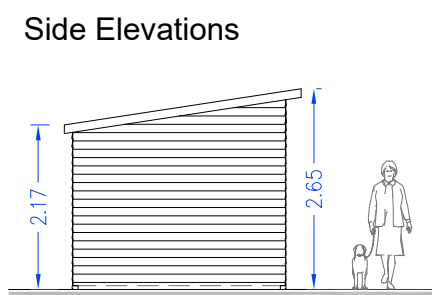
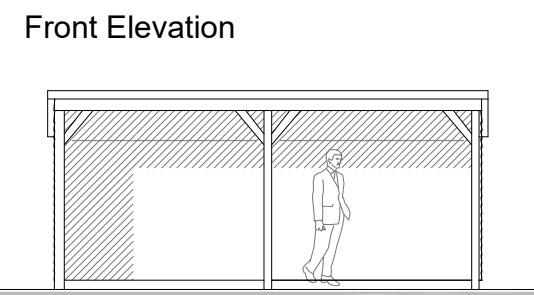
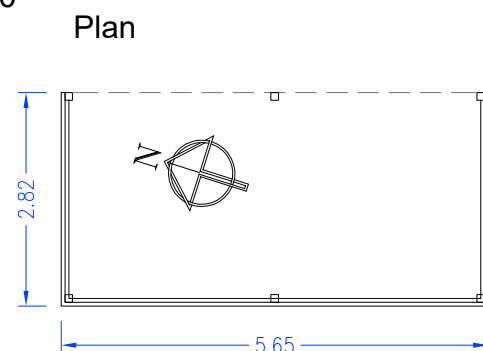


Field Shelter

Scale 1:100



NOTES:

1. Do not scale this drawing.
2. Contractor to check all dimensions on site and report any errors before commencing construction.
3. This drawing to be read in conjunction with all other relevant drawings and specifications.

Title:
Site/Detail Plans

Drg. No.:
MF 4-2

Filename:
MF-4

Issued for:
Planning

Date:
17.11.23

Client:
Tom Paton

Scale:
As shown@A3

**Milton Farm, Fairford
Glos. GL7 4HX**

Journeyman Draughting + Design
33 Lyefield Rd. West
Cheltenham
Glos. GL53 8EZ

T: 01242 524206
E: charlesboard@hotmail.co.uk

