

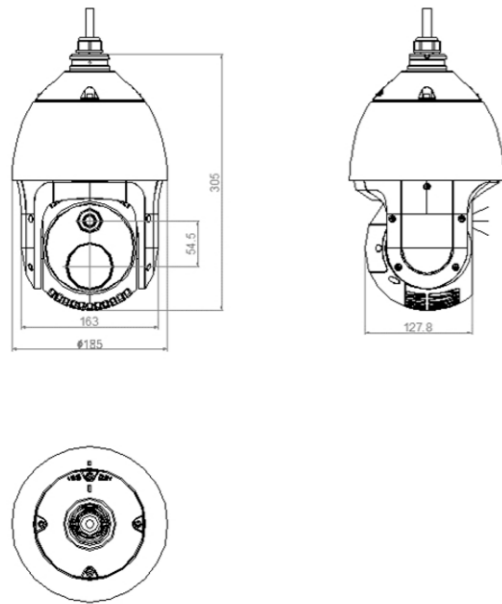
security camera



DS-2TD4237-10/V2
Thermal & Optical Bi-spectrum Network Speed Dome

- High sensitivity thermal module with 384 x 288 resolution
- NETD is less than 40 mk (@25° C, F#1.0)
- Leading thermal image processing technology: Adaptive AGC, DDE, 3D DNR
- Powerful perimeter protection functions, based on intelligent algorithm: Line crossing, intrusion, region entrance & exit
- Reliable temperature-anomaly alarm
- Advanced fire detection algorithm

• Dimension



view range restricted to avoid overlooking surrounding residential properties

fence lights

Griffin Outdoor PIR Motion Sensor Security Bulkhead Wall Light (IP44, ES/E27, 60w, Black) MINISUN



automatic gate



Cantilever Gates



see generic detail drawing as separate attachment