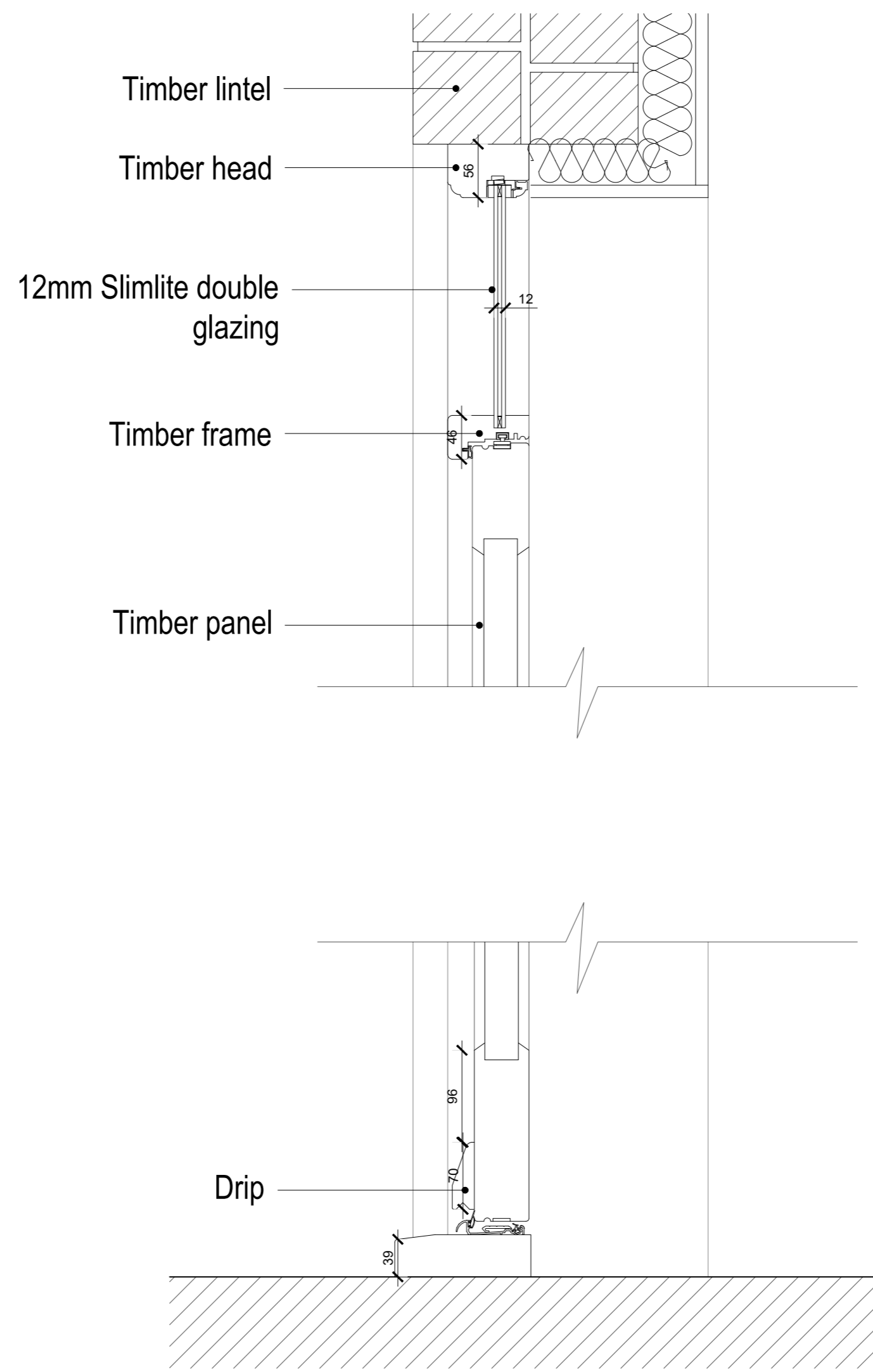
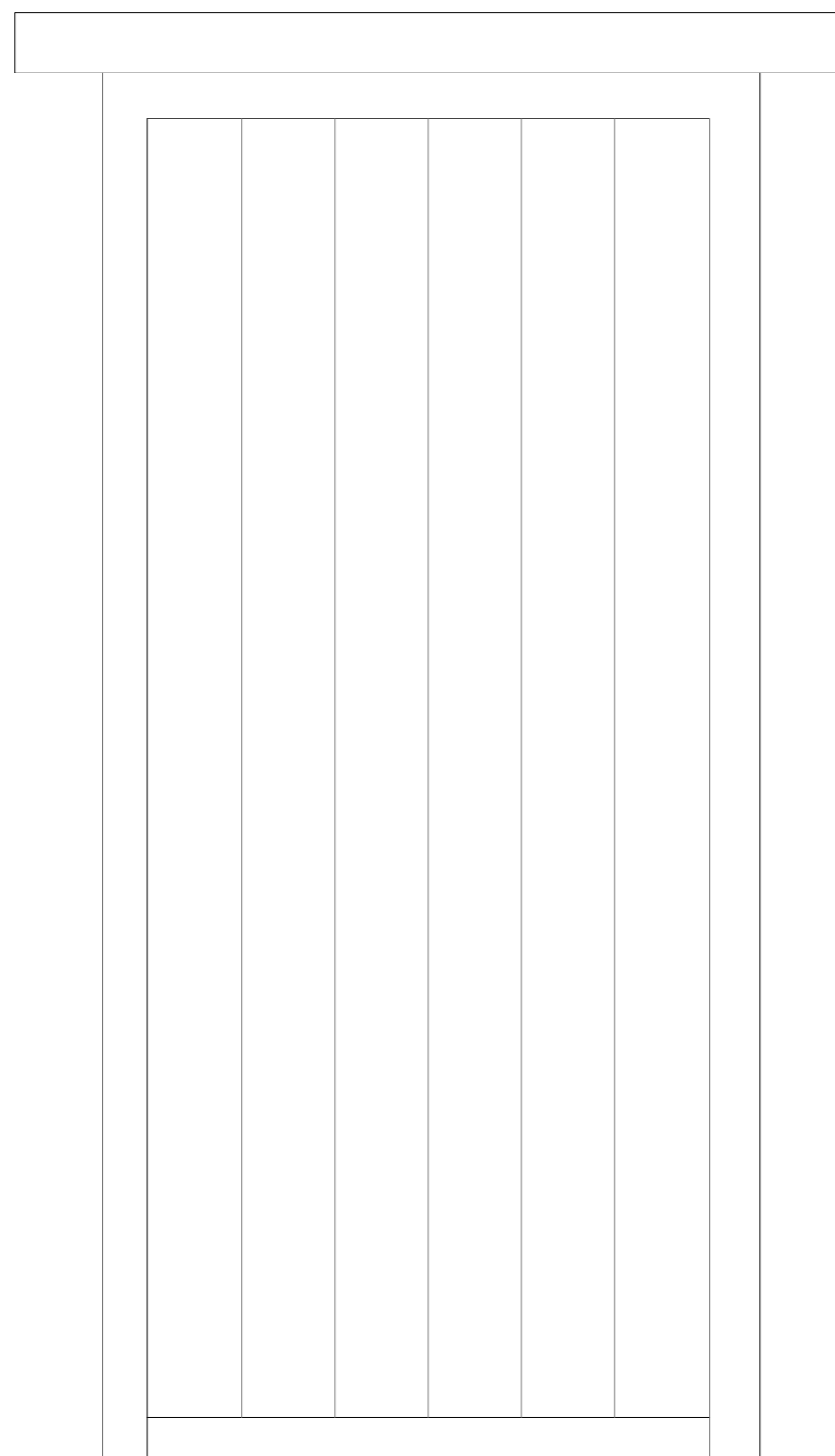


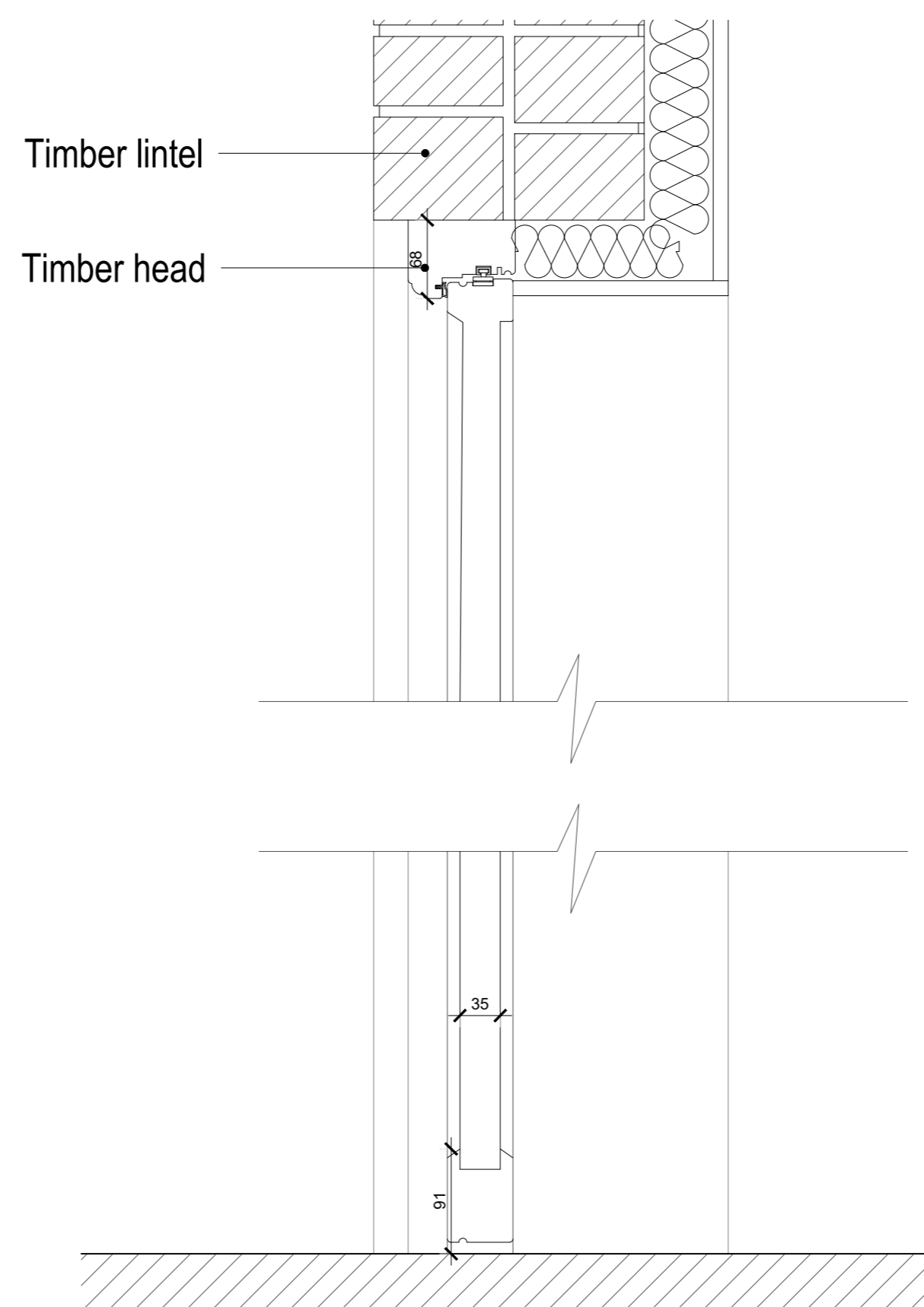
NEW DOOR TYPE A
(D.G.01)
ELEVATION
Scale 1:10



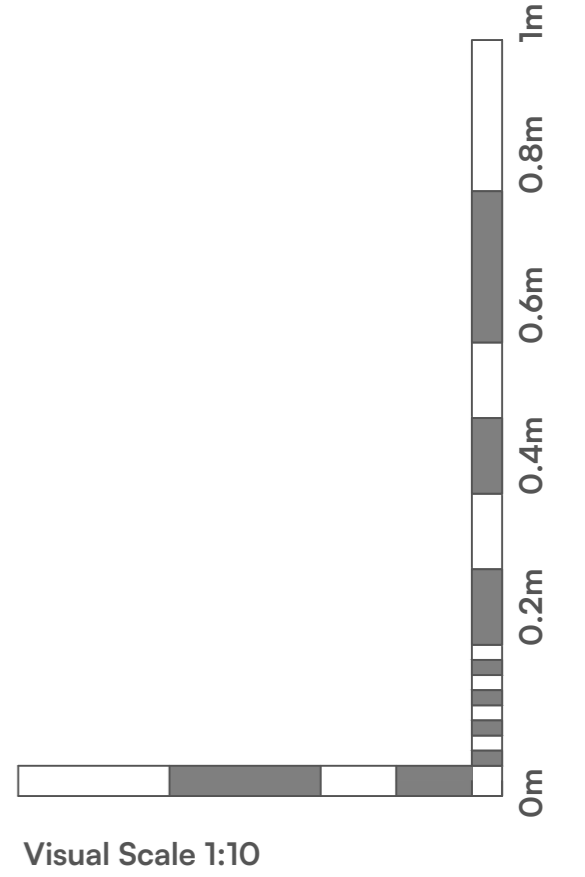
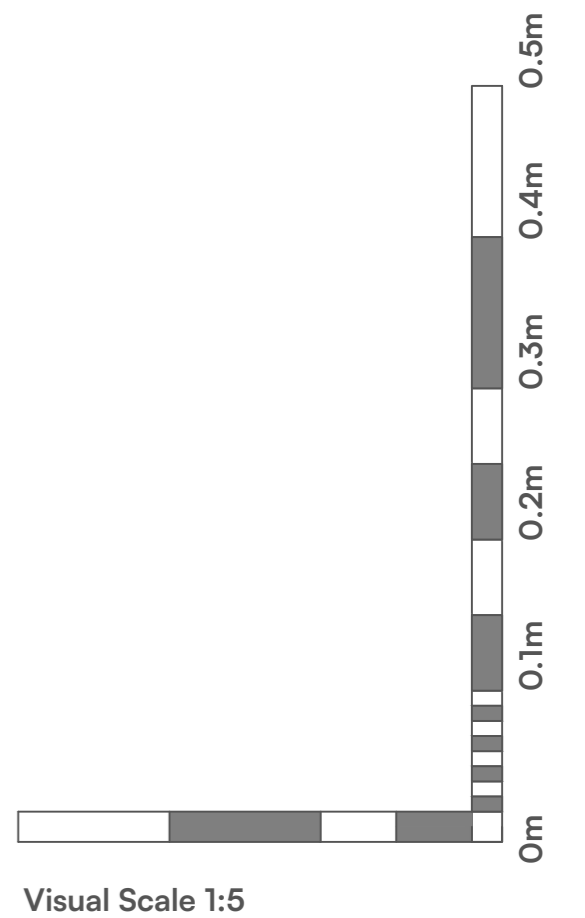
NEW DOOR TYPE A
SECTION
Scale 1:5



NEW DOOR TYPE B
(D.G.02, D.G.03)
ELEVATION
Scale 1:10



NEW DOOR TYPE B
SECTION
Scale 1:5



Project Name:
Refurbishment & Alteration
of Grade II Listed Building

Project Address:
1 Park Street,
Kings Cliffe
Peterborough, PE8 6XN

Client:
Rumrat Renovate
LTD

Project:	Drg No:	Revision:
1739	09	-

Drawing Title:
Joinery Details
Doors

Scale:	Paper size:
1:5/10	@A2

Drawn: EB	Checked: NF
-----------	-------------

Issue:

PLANNING