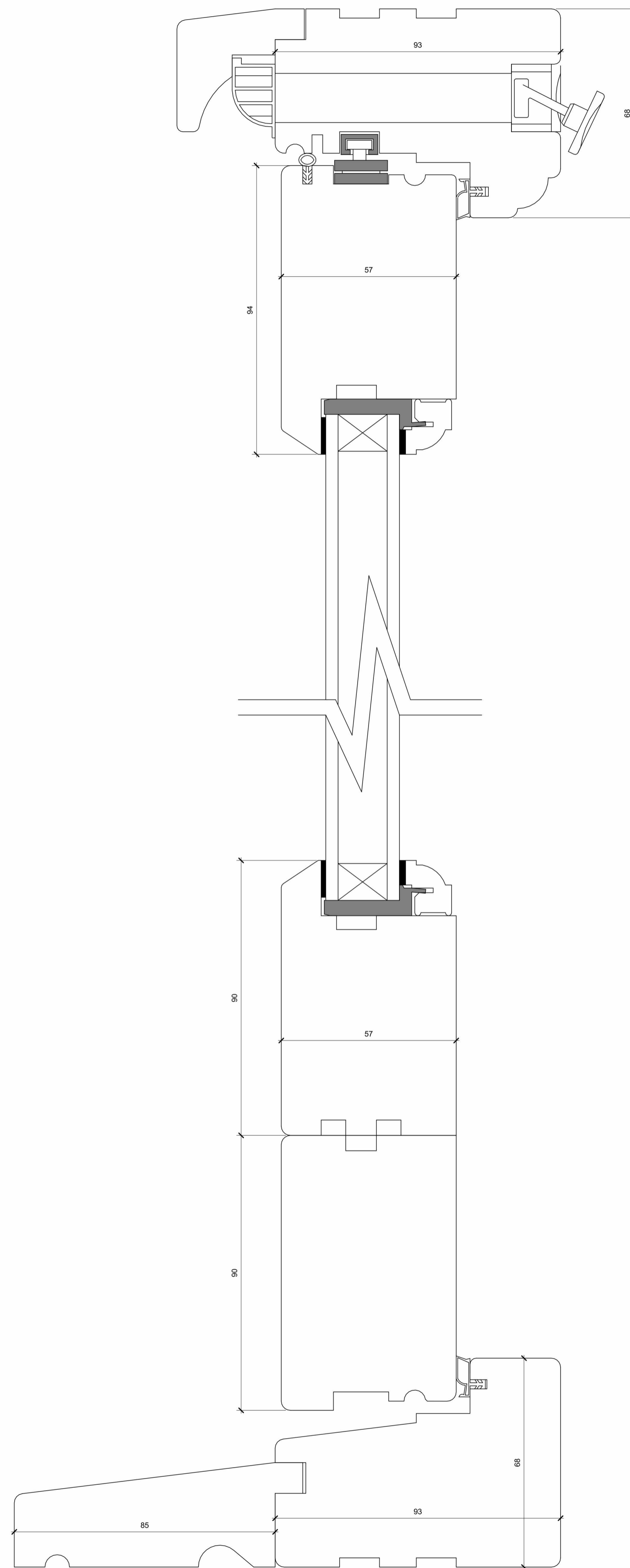


Casement Window

**Window and Door Sections**

1 : 1



Outward Opening Glazed Door

**CHECK ALL MEASUREMENTS  
ON-SITE BEFORE STARTING  
WORK**

Revisions #	Date	Description



Vernacular Homes Ltd  
The Spinney, Woodchurch,  
Ashford, Kent, TN26 3TE

**Amhurst Granary** **1013**  
Client  
Mr & Mrs R. Buggs  
Address  
Amhurst Bank Road,  
Pembury,  
Tunbridge Wells,  
Kent TN2 4AP  
Drawn by  
VH

**G - PL06**  
**Proposed Window and Door Sections**

Scale (@ A1)	Sheet Issued	Revision Date
1 : 1	21/12/23	

21/12/2023 14:51:21