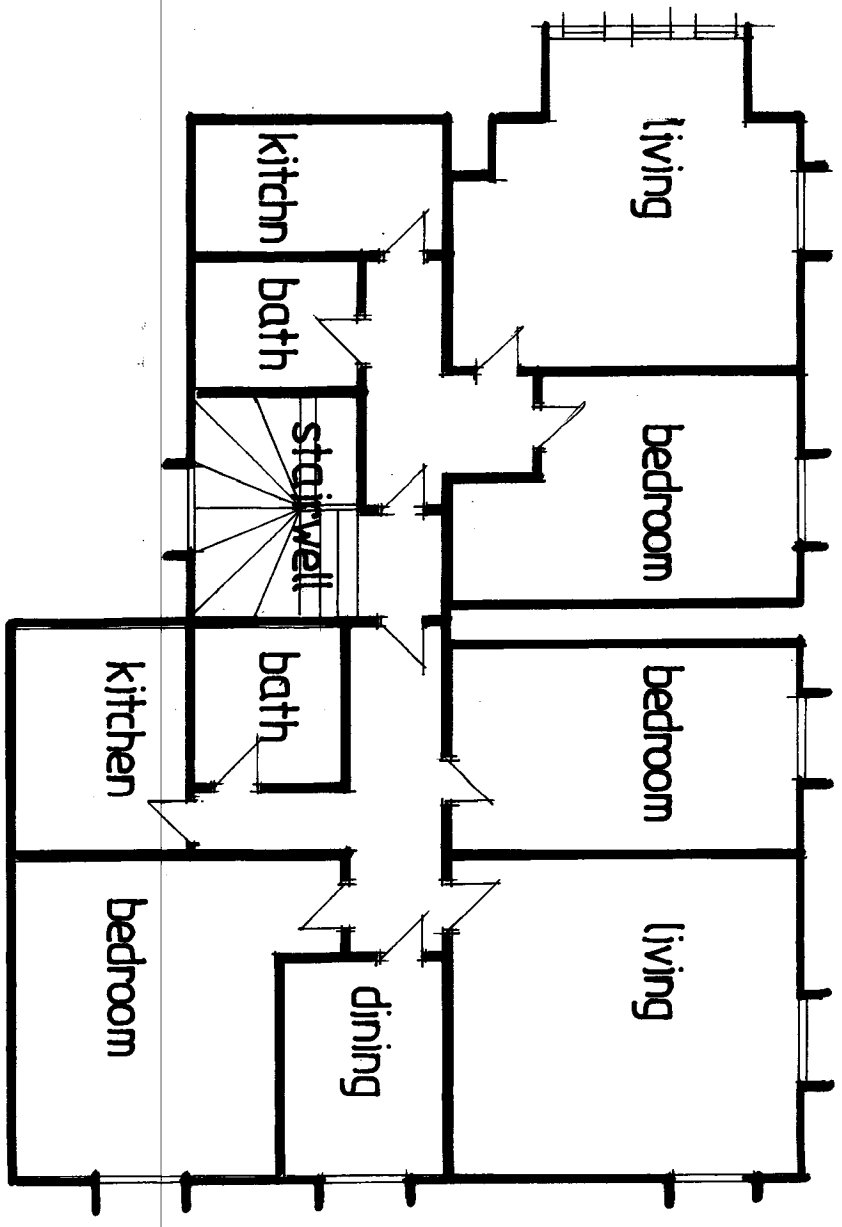


First floor plan
scale 1:100



Second floor plan

robertson design practice

tel. 01475 531274

e-mail robertsondesign@hotmail.com

client: Ms. A. Dunning

project: Short term let flats, 65 Church Street, Port Glasgow, PA14 5JD

title: Floor plans.

job no. 2321 drg. no.01 scale: 1:100 @ A3 drawn: PKR date: 23/11/23