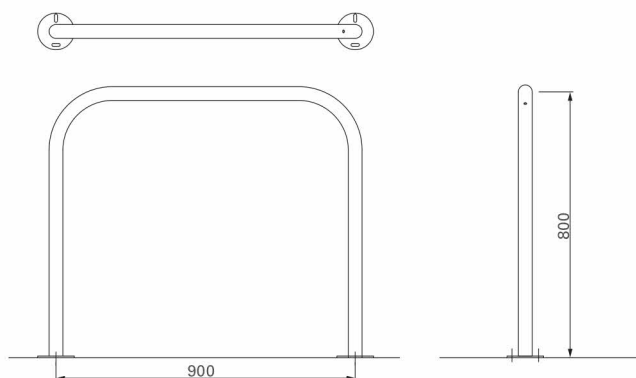


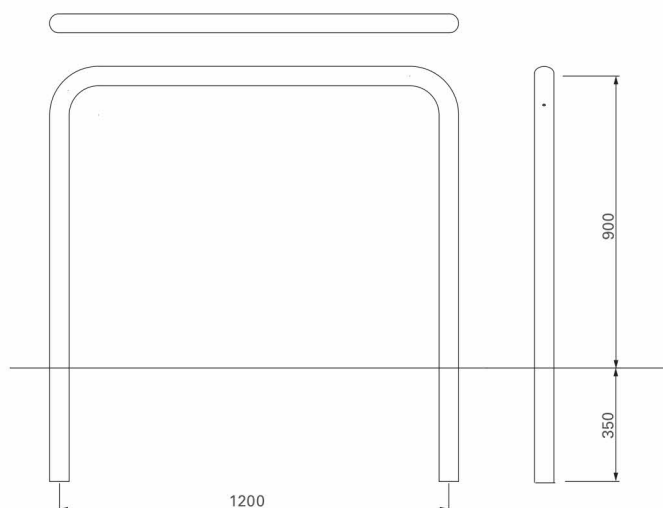
SHEFFIELD STANDS

The stands are available with base plates for surface fix or with an extended tube for below ground fix. Available in $\varnothing 41.5\text{mm}$, $\varnothing 47.5\text{mm}$ and $\varnothing 60.0\text{mm}$.

SHEFFIELD STANDS				
PART CODE	DIAMETER \varnothing	WIDTH	HEIGHT	FIX
02.008.000UK	41.5mm	900 mm	1,100mm	below ground fix
02.008.015UK	41.5mm	900 mm	800mm	base plates
02.520.000	47.5mm	900 mm	1,250mm	below ground fix
02.520.010	47.5mm	900 mm	900mm	base plates
02.521.000	47.5mm	1,200 mm	1,250mm	below ground fix
02.522.010	47.5mm	1,200 mm	900mm	base plates
02.522.000	47.5mm	1,500 mm	1,250mm	below ground fix
02.521.010	47.5mm	1,500 mm	900mm	base plates
02.560.000	60.0mm	900 mm	1,250mm	below ground fix
02.560.010	60.0mm	900 mm	900mm	base plates
02.561.000	60.0mm	1,200 mm	1,250mm	below ground fix
02.561.010	60.0mm	1,200 mm	900mm	base plates
02.562.000	60.0mm	1,500 mm	1,250mm	below ground fix
02.562.010	60.0mm	1,500 mm	900mm	base plates



Sheffield stand ($\varnothing 41.5\text{mm}$), part code 02.008.015UK



Sheffield stand ($\varnothing 60.0\text{mm}$), part code 02.561.000



SHEFFIELD STAND $\varnothing 41,5\text{ mm}$ | 02.008.015UK