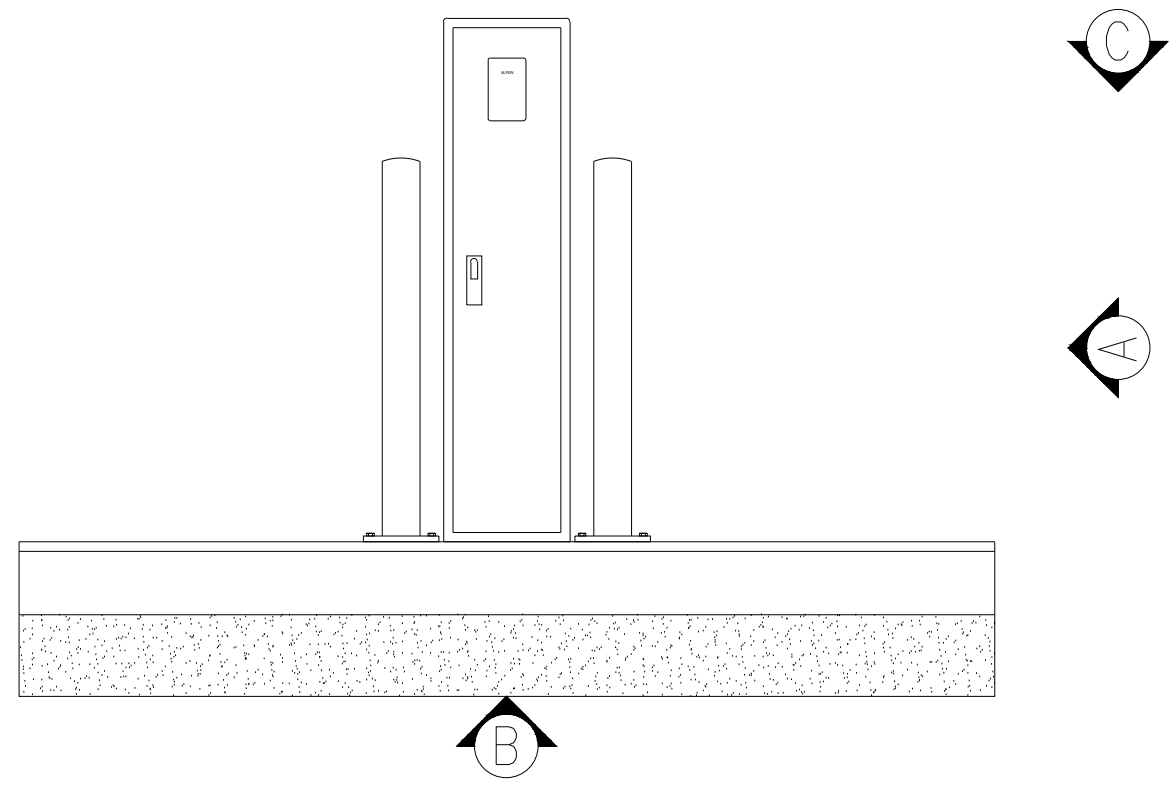
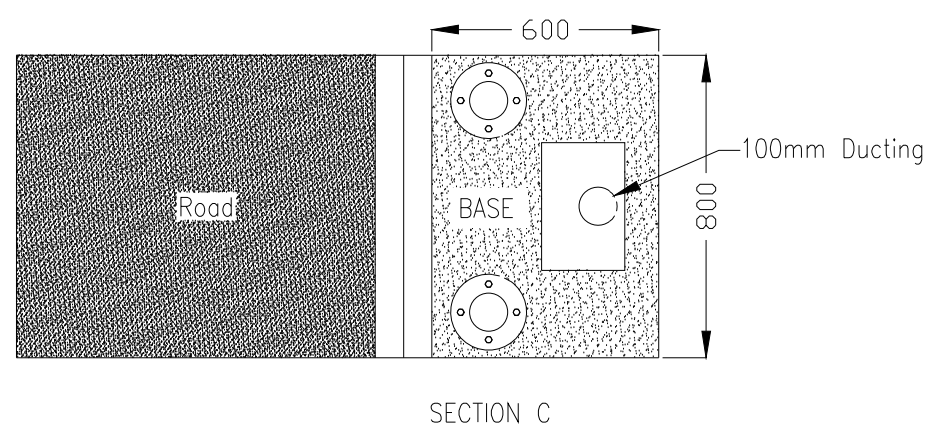
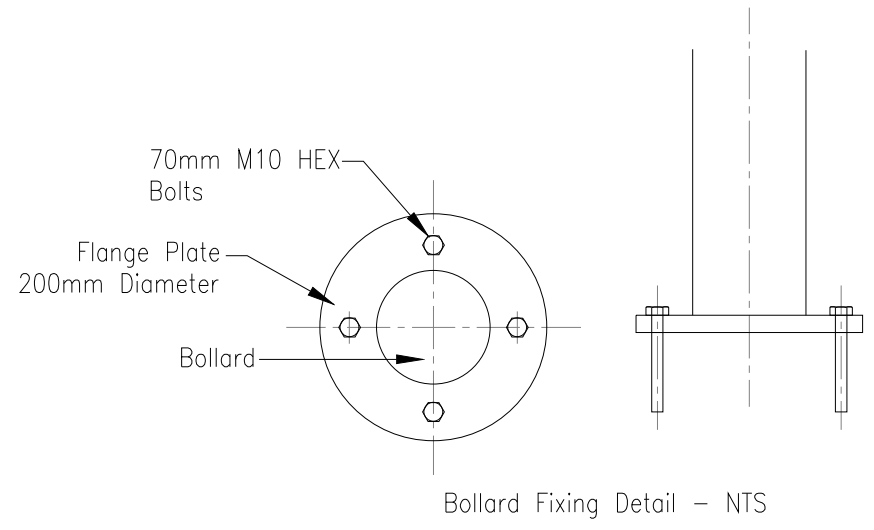
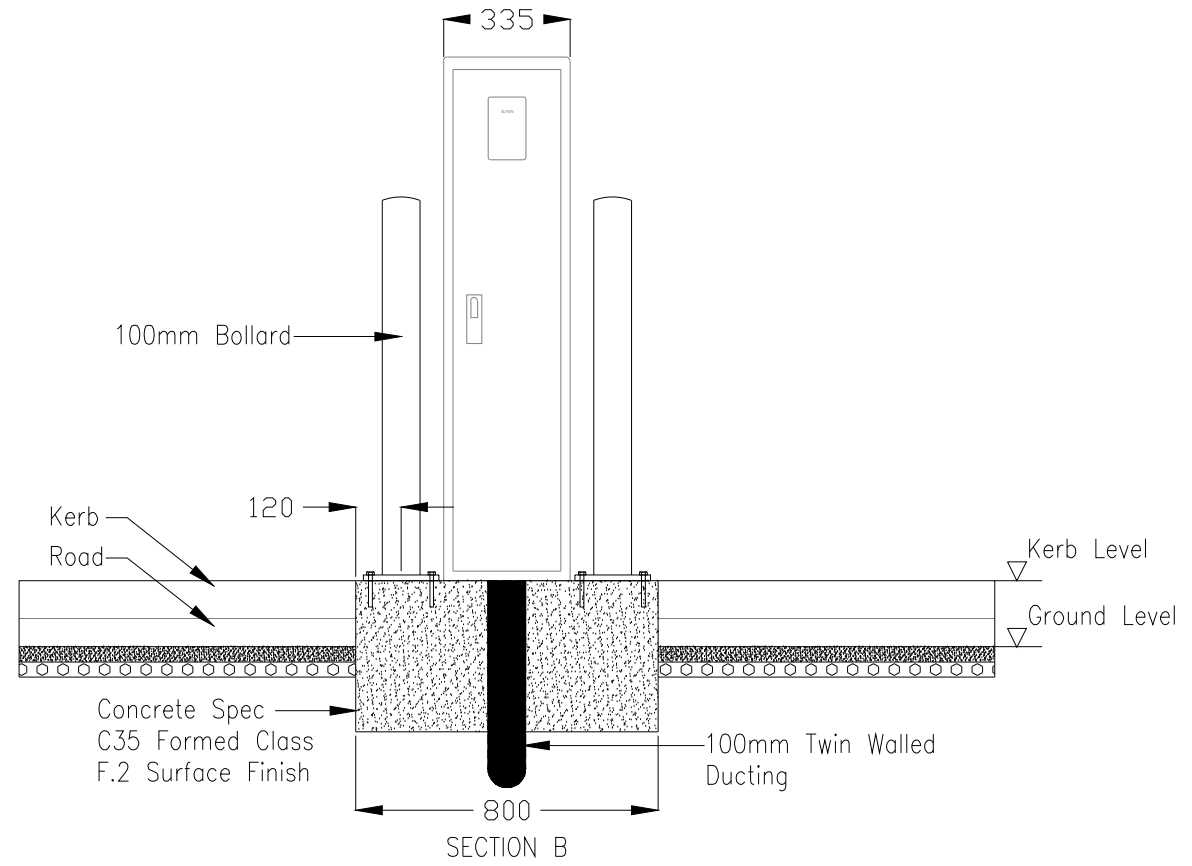
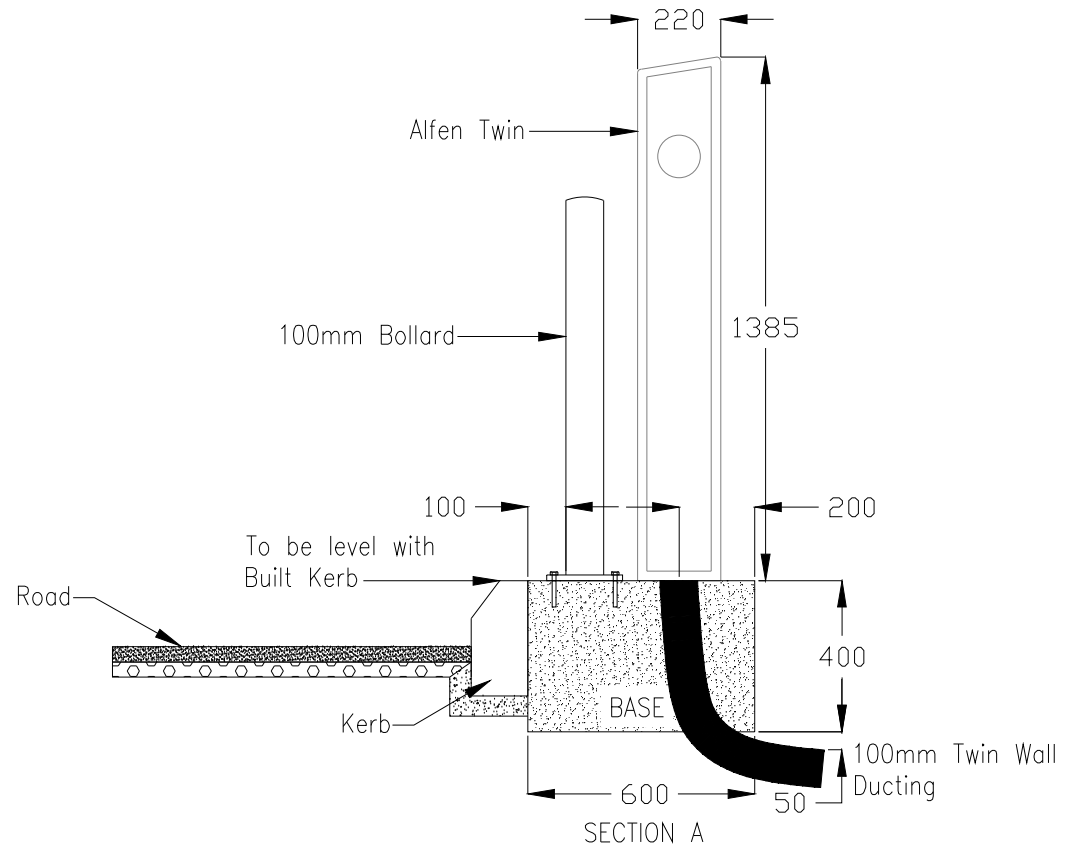


All dimensions must be checked and confirmed on-site prior to commencement of construction and any inconsistencies to drawing discovered on site must be brought to the attention of the Project Leader.
 The area indicated on the drawing are approximate only and are our assessment using Google Maps and current available information. Any decisions made on the basis of these assessments, whether as to project viability, letting, lease agreements or similar must be based on dimensions measured by a registered surveyor.

- Notes:
1. All dimensions shown are in millimeters unless noted otherwise
 2. Concrete Spec - Formed Class F.2
 3. Please refer to the BWB General Arrangement drawing: LPTIP1-BWB-HGN-TMG_XXX-DR-0001 which details locations of the charging bays

Symbols:



Ver	Date	Description Of Change	By
001	21/11/21	For Review	PC

FOR REVIEW



© 2021 Electric Blue UK Limited	Scale: 1:300
Project Name:	Project No.:

Title: Temple Green EV Charging Bases Alfen Twin Charger Base Detail with Bollard Flange Elevation Layout			
Company:	Drawn By:	Check/Approved:	Drawn Date:
ASL	PC	MS	18.11.21
Revision:	Revision:	Revision:	Revision:
LPTIP1-EBL-HEL-TMG_XXX-DR-Y-0001			P01