

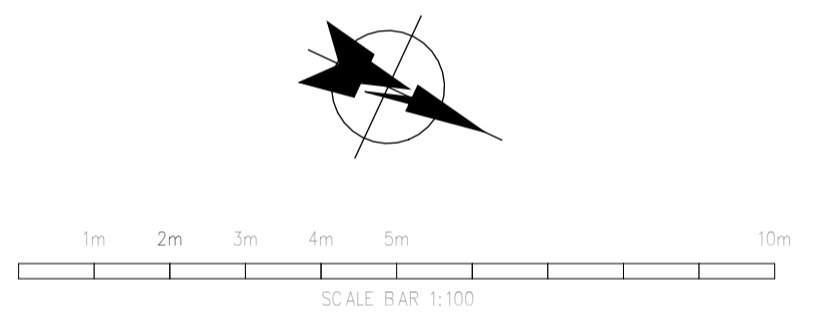
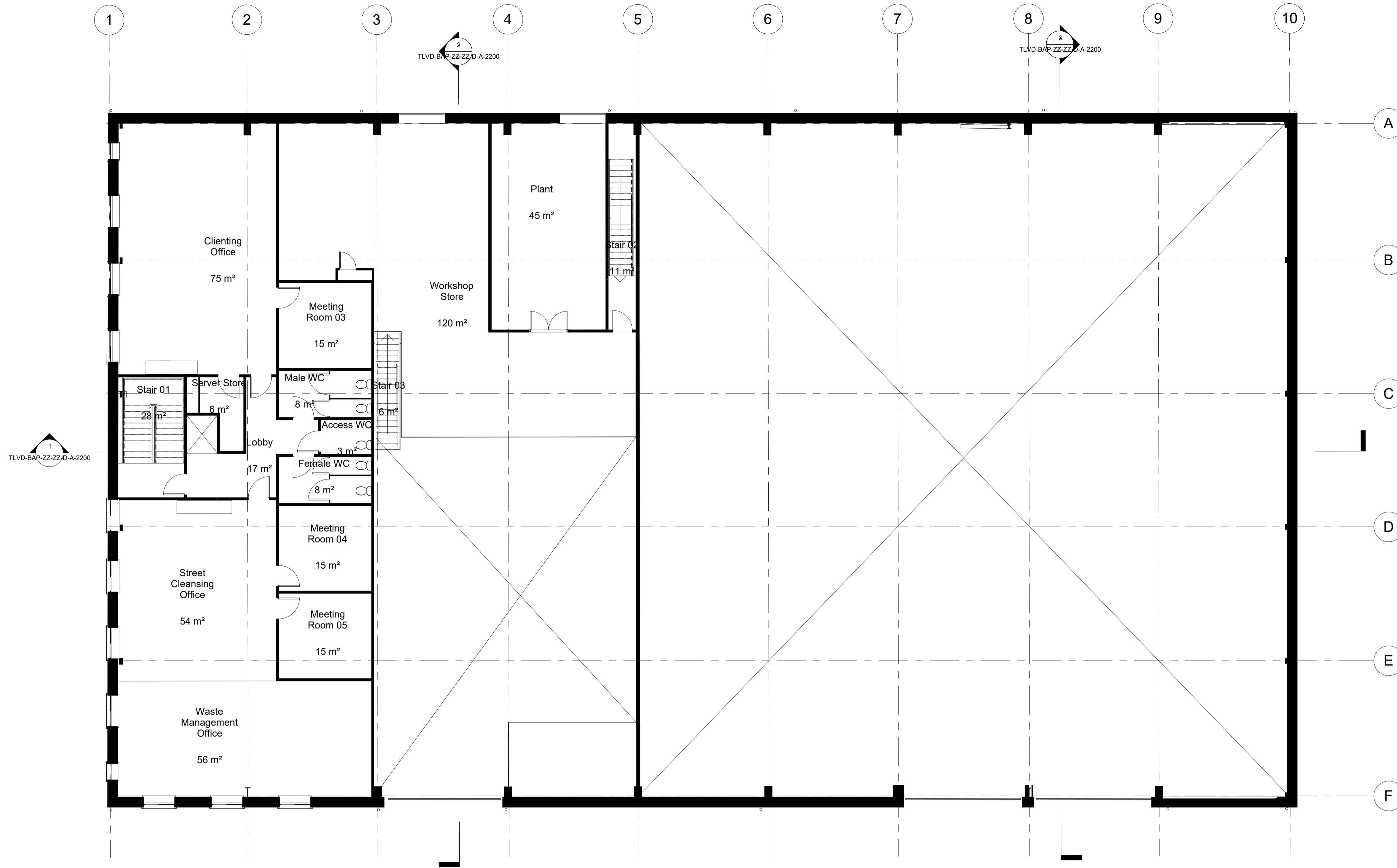
This drawing is to be read in conjunction with structural services and any other relevant information.

Any discrepancies are to be reported to the Architect. All dimensions have been taken from existing record and must be verified on site by the contractor, sub-contractors and suppliers before commencing any work.

Do not scale from this drawing except for planning purposes.

NOTES:

Internal layouts included for information only



PLANNING

P3/15/12/23	Note added	AF
P2/08/12/23	Revit issue	EH
P1/10/11/23	Preliminary Issue	EH

REVISIONS

**Bickerdike
Allen
Partners**
Architecture
Acoustics
Technology

121 Salisbury Road, London, NW6 6RG
Email: mail@bickerdikeallen.com T: 0207 625 4411
www.bickerdikeallen.com F: 0207 625 0250

Therapia Lane Vehicle Depot
Willmott Dixon
Sutton

First Floor Plan
Proposed

DRAWN: EH CHECK: RM

DATE: 11/2023 SCALE: 1:100 @ A1

DRAWING No:

TLVD-BAP-ZZ-ZZ-D-A-2011-P3

1 First Floor Plan Proposed
1 : 100