



Water treatment plant
 Suitably sized for 3no. pods with
 integrated sample chamber

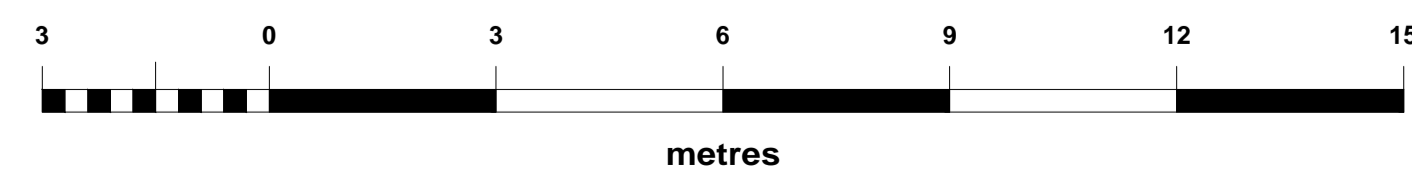
Allow for new single phase power supply
 to treatment plant.

Cables to be a minimal 600mm below
 finished ground level in UPVC ducting
 with warning tape over.

IC
 Underground
 treatment tank
 SC
 Treated outfall from
 unit to underground
 soakaway, size TBC

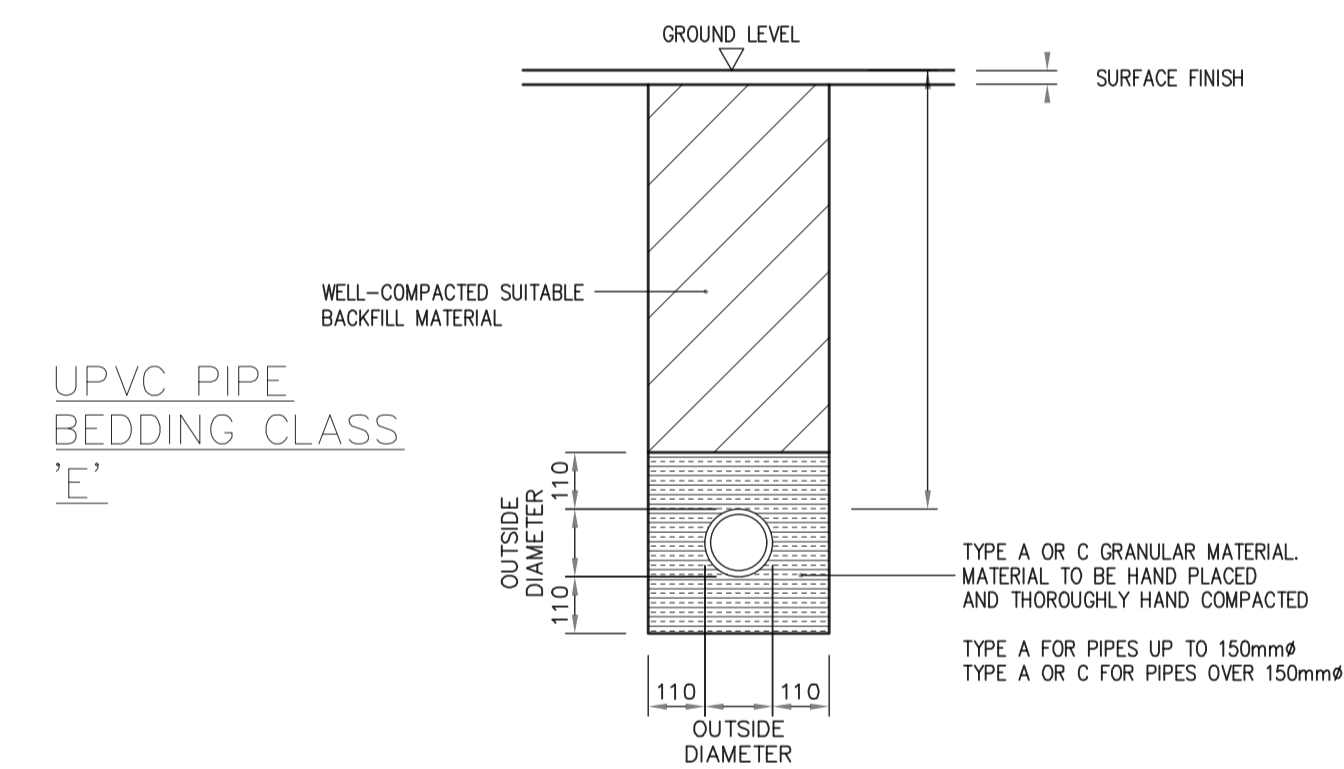
OWNERSHIP BOUNDARY
 AREA = 2,154 m²

SITE BOUNDARY
 SITE AREA = 795 m²



KEY TO SYMBOLS

- 110mm DIAM. UPVC DRAINAGE RUN
- IC INSPECTION CHAMBER
- RE RODDING EYE
- SC SAMPLE CHAMBER
- WATER TREATMENT PLANT
- SOAKAWAY



SCALE 1:20

All works to be carried out in accordance with the following:-

1. UK water industry research ltd. 'Civil Engineering Specification for the water Industry, 5th Edition.
2. WATER UK, 'Sewers for Scotland'
3. BE EN 752 Drain and Sewers Systems outside buildings.

- Foul Water: Falls in runs - 1:10 max - 1:60 min.
- All new drainage branches to be fitted with a RE.

SUDS

- All parking areas and new tracks are to be constructed with a porous build up on free draining stone.
- All pods to have a 250mm wide by a min 200mm deep gravel border to all draining sides.

Date	Description	Rev	By

Revision Description



Project:
 Proposed Glamping Site - For Iain Bermingham
 Northern Heights, Kildonan, Isle of Arran
 KA27 8SG

Drawing Title:
 PROPOSED DRAINAGE PLAN

Drawing Number:
 230830-01-04

Revision: -
Date: 30.10.2023
Scale: 1:100 @ A1
Drawn By: XD
CAD Dwg File: -
Checked By: -

Issue Status:
 Full Planning Application A1

