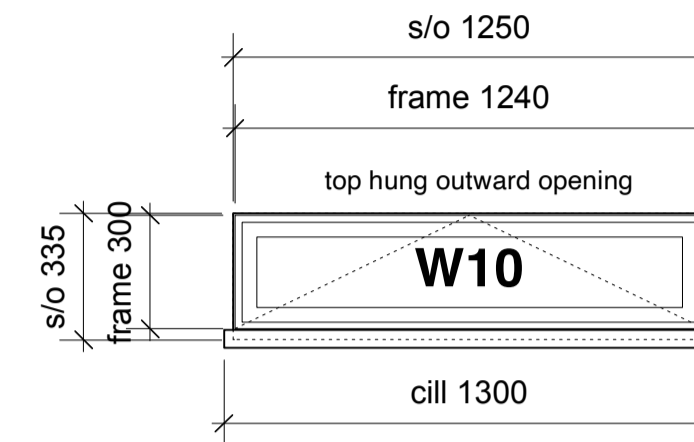
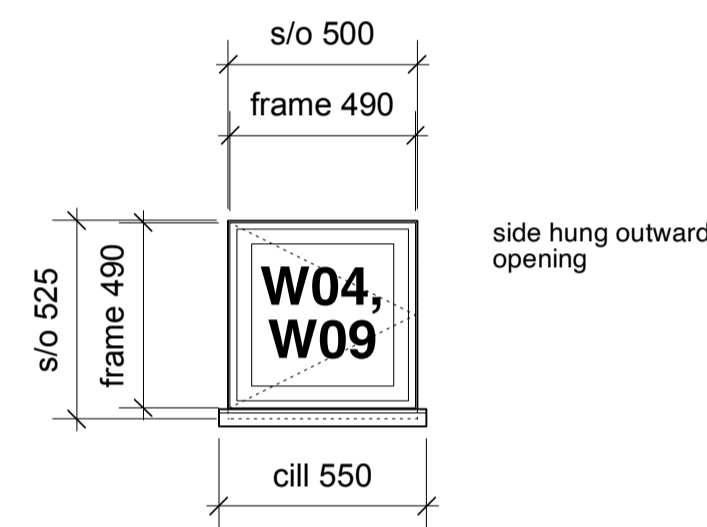


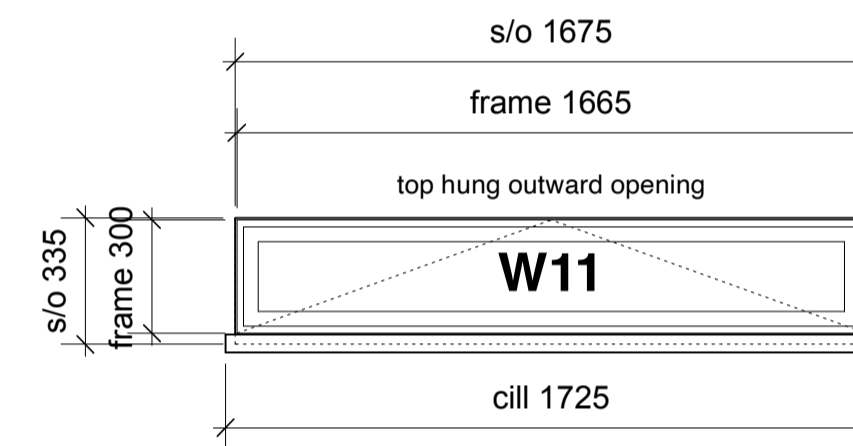
WINDOW TYPE B



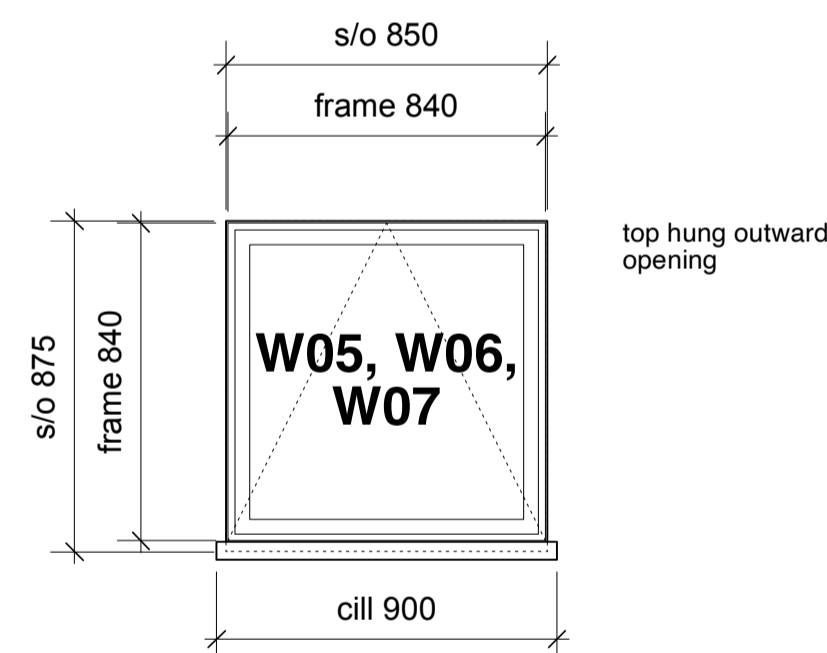
WINDOW TYPE F



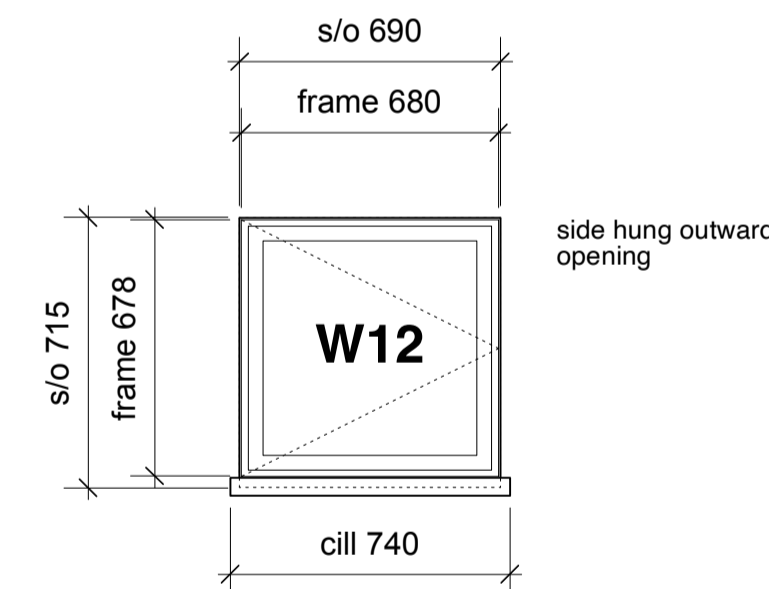
WINDOW TYPE C



WINDOW TYPE G



WINDOW TYPE D



WINDOW TYPE H

NOTE:

FOR WINDOW TYPE A - FRONT ENTRANCE GLAZING:  
REFER TO DRAWINGS 1022-31 & 1022-32

FOR WINDOW TYPE E - BACK ENTRANCE GLAZING:  
REFER TO DRAWINGS 1022-33 & 1022-34

DO NOT SCALE FROM THIS DRAWING.

All critical dimensions not noted are to be measured on site or referred to architect.

Notes

Revisions

P1	23.02.22	Preliminary issue.
P2	01.03.22	Width of window W11 reduced.
T1	05.04.22	Tender Issue
C1	05.12.22	Glazing updated to Met Therm details.
C2	07.12.22	Window W12 added.
C3	12.12.22	Size of window W12 adjusted.
C4	18.12.23	W12 revised to side-hung opening.

Drawing Number 1022-41-C4

Content  
WINDOW TYPES

Scale 1:20 at A1 Date FEB 2022

THE OLD RECTORY,  
ALBURY - BARN

OLIVER WEST & JOHN SCOTT ARCHITECTS  
The Studio, 3A Bath Road, Tel 020 8995 4275  
Bedford Park W4 1LL Fax 020 8742 7186  
E-mail: studio@westscottarchitects.co.uk

Key

Drawing Number 1022-41-C4

